

HUSSMANN®

SPECIALTY PRODUCTS

SHVS

SHVS
Service Bakery



Merchandising Capacity

This high volume service bakery case can hold up to 3 rows of shelves in a small width footprint



Merchandising Visibility

Optional curved non-glare glass and built in air sweep assures the product looks great



TYPES / LENGTHS

Remote ; 48" • 57 1/2" • 75 1/2" • 96"

Non-Refrigerated;

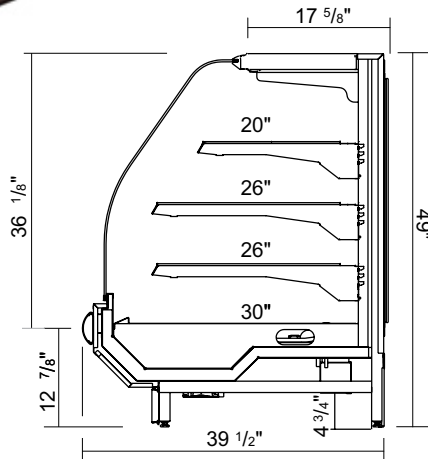
48" • 57 1/2" • 75 1/2" • 96"

FEATURES

- Tempered, double curved, lift up front glass
- T-8 top lighting
- One 20" and two 26" glass, lighted shelves
- Thermostat
- White interior
- Rear sliding doors
- Please reference Color Chart for choice of standard Hussmann paint and finish options

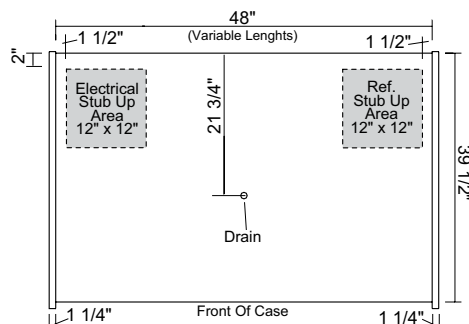
OPTIONS

- Non-glare glass
- LED shelf and canopy lighting
- Mirrored rear sliding doors
- Silver, black or brass hardware
- Solid metal or wire shelves
- Solid, view or mirrored ends
- Sloped case-top cake display with plexiglass sneeze guard
- Stainless steel interior
- Custom lengths and options*
(consult your Hussmann sales representative)



SHVS
Summit High Volume Service Bakery Case
(Dry and Refrigerated)

Scale = 1/2"



SHVS
Plan View

For further information, specs and photos:
www.hussmann.com Search using keyword **SHVS**

Matching family members

Search hussmann.com using keyword in blue
Multi-Deck Self-Service: **SHVSS**
Multi-Deck Self-Service Frozen: **SCSS/SCSS-L**

HUSSMANN Specialty Products
13770 Ramona Avenue
Chino, California 91710
(800) 395-9229 (Marketing)
(909) 590-4133 Fax
www.hussmann.com



These merchandisers are designed for use in stores where temperature and humidity do not exceed 75°F and 55% R.H. (We reserve the right to change or revise specifications and product design in connection with any feature of our products. Such changes do not entitle the buyer to corresponding changes, improvements, additions, or replacement of equipment previously sold or shipped.) *Some optional features may be certified by ETL and/or other 3rd party certification agencies. Contact Hussmann for verification or requests for such certification.