

# OV300E ELECTRIC MINI ROTATING RACK CONVECTION OVEN

## FEATURES

- Rotating interior rack
  - 8 pan, end load
- Self-contained steam system
- Programmable digital control
  - Four stage baking (time, temp, fan delay & vent)
  - Auto on/off control
  - Auto vent
  - 99 programmable menus
- Easy to open independent doors
- Over-sized viewing window in each door
- Stainless steel construction

## OPTIONS

- 6 pan, side load or end load rack
- 8 pan, side load rack
- 10 pan, end load rack
- 12 pan, end load rack (18" x 26" sheet pans)
- Vent guard package
- Prison safety package
- Base units available - order separately



OV300 shown with 12-pan stand base



CITY OF  
LOS ANGELES  
M-010006

CITY OF  
NEW YORK  
MEA-300-98-E

STATE OF  
MASSACHUSETTS  
C1-05-05-20



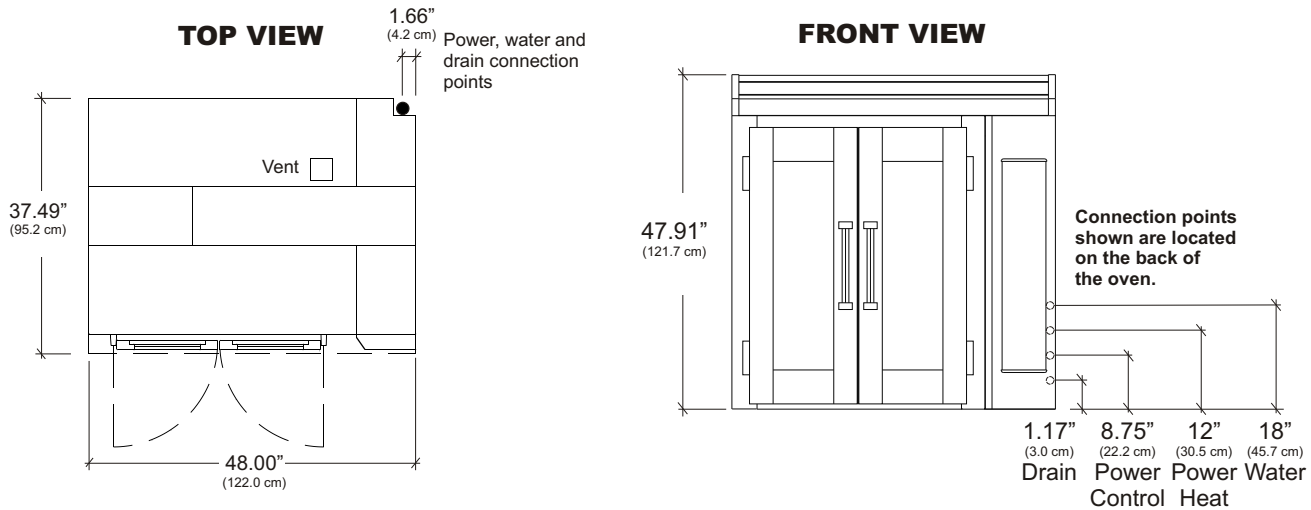
# BAXTER

PRINTED IN USA 1/06

OV300E

19220 STATE ROUTE 162 EAST • ORTING, WA 98360  
(360) 893-5554 • CUST SVC: (800) 777-2828 • FAX: (360) 893-6836 • [www.baxtermfg.com](http://www.baxtermfg.com)

# OV300 ELECTRIC SPECIFICATIONS



## ORDERING INFORMATION

### Capacity Choices:

6-pan capacity with 5.3" slide spacing  
**8-pan capacity with 4.0" slide spacing**  
 10-pan capacity with 3.2" slide spacing  
 12-pan capacity with 2.8" slide spacing  
 Note: Capacities based on a std 18"x26" pan

### Rack Loading Choices:

End Load (std) or Side Load

**Freight Class:** 85

**Shipping Weight:** 700 lbs (318 kg)

## UTILITIES

**Water Connect Point:** 1/2" pipe size.  
 Cold water @30-75 psi. (21 kPa-52kPa)  
 minimum @ 1.2 G.P.M. (4.5 liters/min.)  
 flow rate.

**Drain Fitting:** 1/2" NPT. Route to air-gap drain.

**Vent:** Type 1 hood may be required for baking vapors. Consult local code.

### Power Input Choices:

Heating Circuit	Control Circuit
208V/3/50A	120V/1PH/
240V/3/43A	120V/1 PH/
440-480V/3/20-22A	120V/1 PH/

15A max. dedicated circuit

**Oven Control:** 4.4 amps

**Ventilator Connect Point:** 5.0 amps max.

Contact factory for 50Hz.

## INSTALLATION

Level floor required.  
 The mini-rack oven is shipped assembled for easy installation. All components are factory tested before shipment.

The purchaser is responsible for proper installation. In order to validate the warranty, the start-up must be performed by an Authorized Baxter Servicer. This start-up will be done at no additional charge.

The OV300 unit will fit through a standard 36" doorway with doors, control panel and trim package removed.

**Certified for zero clearance to combustable surfaces, sides and back. Access to right side needed (24" min.) for service access. A vent guard is required if the right side of the oven is within 30" of a radiant heat or grease vapor source.**

Manufacturer reserves the right to make changes in sizes and specifications.



**BAXTER**

OV300E

PRINTED IN USA 1/06

19220 STATE ROUTE 162 EAST • ORTING, WA 98360  
 (360) 893-5554 • CUST SVC: (800) 777-2828 • FAX: (360) 893-6836 • www.baxtermfg.com

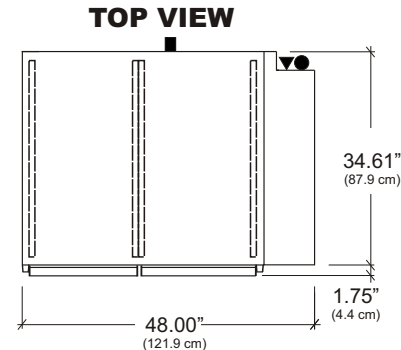
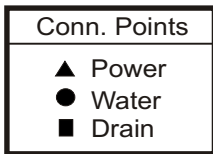
# OV300 ACCESSORIES

## PROOFING CABINET



Proofing cabinet  
height: 34.00" (86.4 cm)

Sturdy 4" (10.2 cm) swivel  
casters (2 locking)



Freight Class: 100

MODEL	SHIPPING WGT.	DESCRIPTION
<b>HPC800</b>	363 lbs.	Proofing Cabinet, 16 Pan Capacity (18"x26") with 3" slide spacing
<b>POWER:</b> 120V/1/60/16A, 1/70 H.P. <b>WATER:</b> 1/4" Cold water @ 30-80 psi <b>DRAIN:</b> 1/2" Rear drain. Route to air-gap drain.		



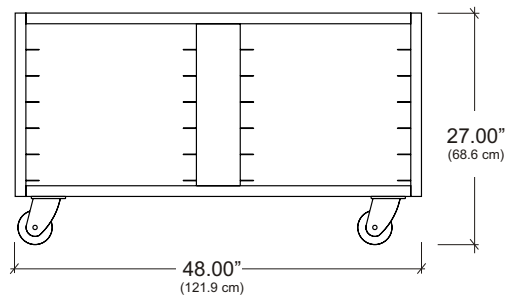
## MINI-RACK STAND



Stand depth: 34.61" (87.9 cm)

Shown with sturdy 4" (10.2 cm) locking swivel casters

**FRONT VIEW: 12-Pan Stand**



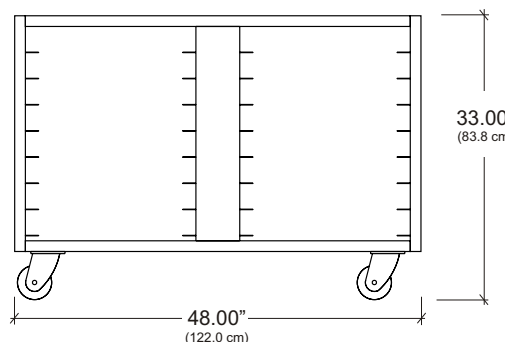
(Allows the OV300 to fit under 6'6" high canopy hood.)

Freight Class: 150

MODEL	SHIPPING WEIGHT	DESCRIPTION
STAND-12PAN	138 lbs.	Stand with 4" casters, 12-pan capacity* w/ 3" slide spacing
STAND-16PAN	142 lbs.	Stand with 4" casters, 16-pan capacity* w/ 3" slide spacing
LEG-KIT	9 lbs.	Conversion kit replaces casters with s/s legs.

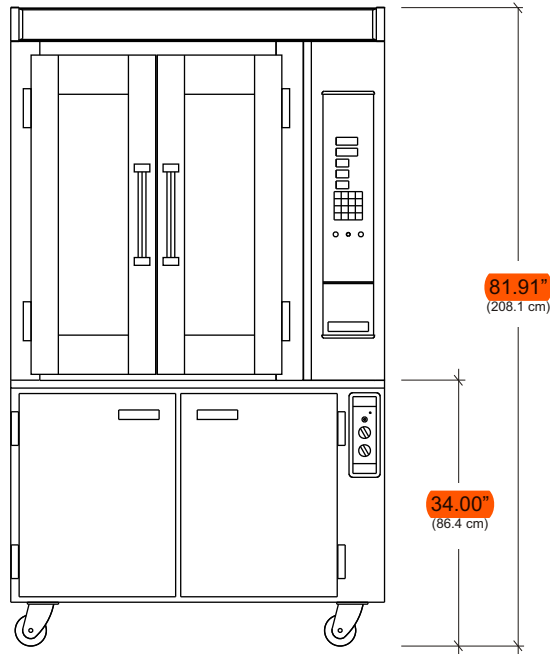
\*Using standard 18x26" pans.

**FRONT VIEW: 16-Pan Stand**

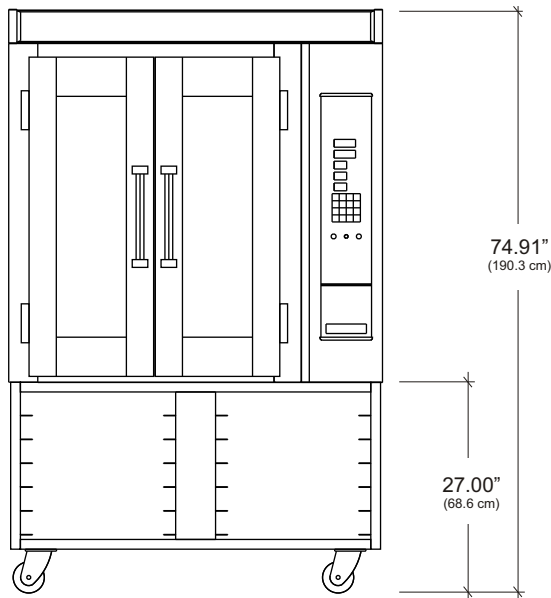


**BAXTER**

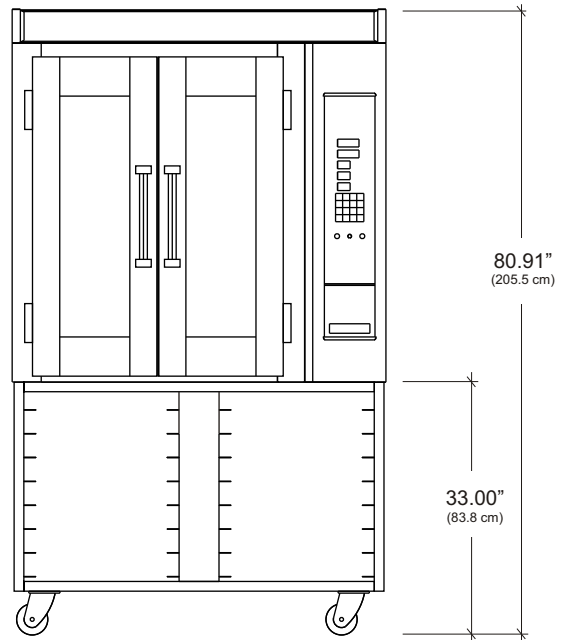
# OV300 HEIGHT CHOICES



Height reflects OV300 with 16-Pan Proofer base



Height reflects OV300 with 12-Pan Stand



Height reflects OV300 with 16-Pan Stand



**BAXTER**

OV300 Accessories

PRINTED IN USA 11/06

19220 STATE ROUTE 162 EAST • ORTING, WA 98360  
 (360) 893-5554 • CUST SVC: (800) 777-2828 • FAX: (360) 893-6836 • [www.baxtermfg.com](http://www.baxtermfg.com)