



701 S Ridge Avenue, Troy, OH 45374
1-888-4HOBART • www.hobartcorp.com

HR2 SERIES TWO WIDE RETARDER



STANDARD FEATURES

- Modular panel construction
- Cam lock attachment
- Stainless steel interior and exterior
- Hydraulic door closure
- Self-contained pre-charged refrigeration system

OPTIONS

- Remote refrigeration
- Side trim
 - One side
 - Both sides
- Rear trim
- Stainless steel floor**
- Pass thru

MODEL CONFIGURATIONS

- 30" Interior Depth Two Door – Two Single Side or End Load Racks or One Double Rack**
- 50" Interior Depth Two Door – Three Single Side or End Load Racks or One Double Rack**
- 63" Interior Depth Two Door – Four Single End or Five Side Load Racks or Two Double Racks**
- 83" Interior Depth Two Door – Six Single End or Side Load Racks or Two Double Racks**
- 96" Interior Depth Two Door – Seven Single End or Eight Side Load Racks or Two Double Racks**
- 116" Interior Depth Two Door – Nine Single End or Side Load Racks or Three Double Racks**

Specifications, Details and Dimensions on Inside and Back.



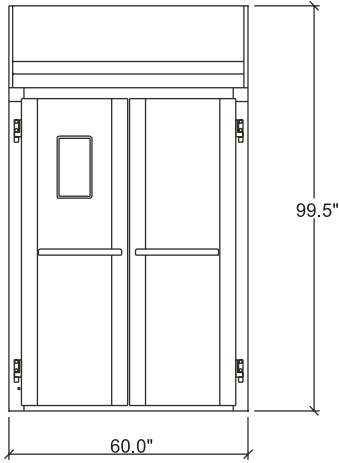
HR2 SERIES TWO WIDE RETARDER

HR2 SERIES TWO WIDE RETARDER

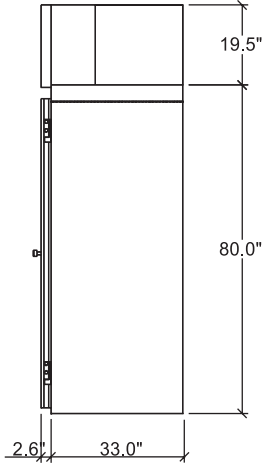


701 S Ridge Avenue, Troy, OH 45374
1-888-4HOBART • www.hobartcorp.com

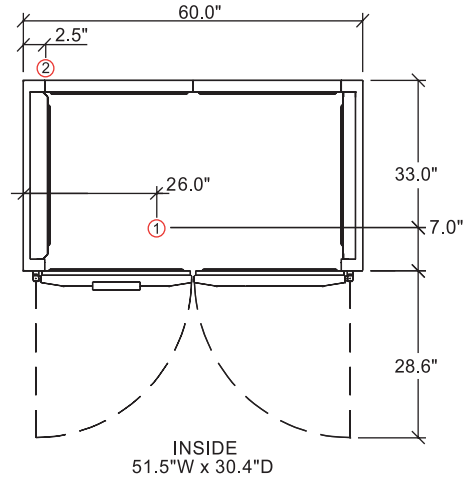
FRONT VIEW



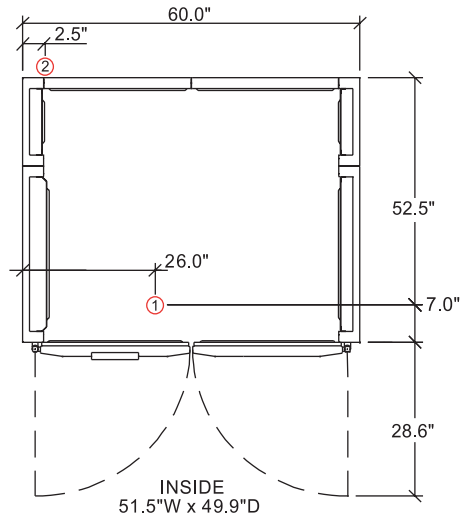
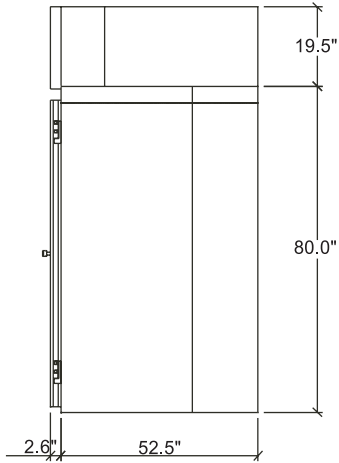
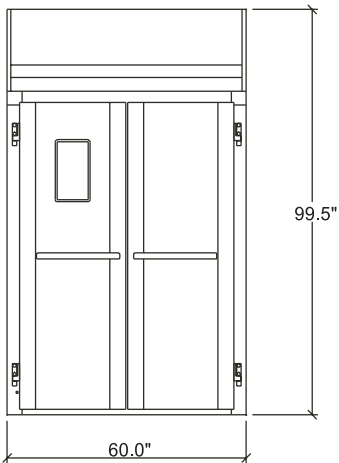
SIDE VIEW



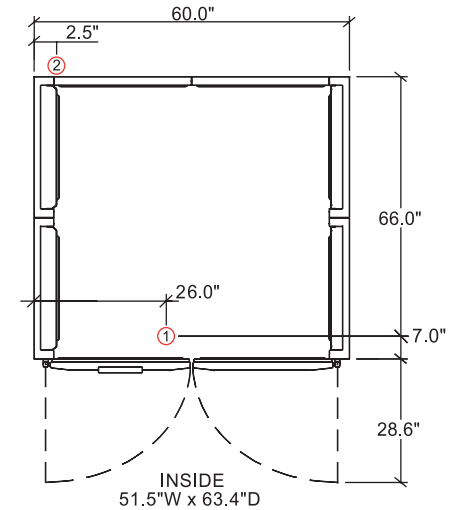
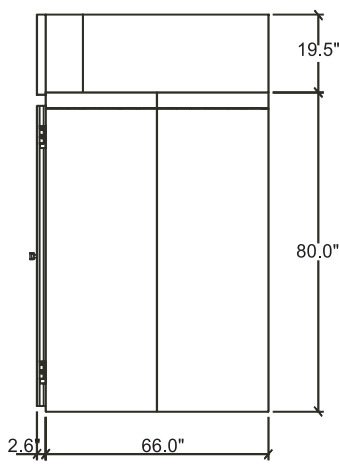
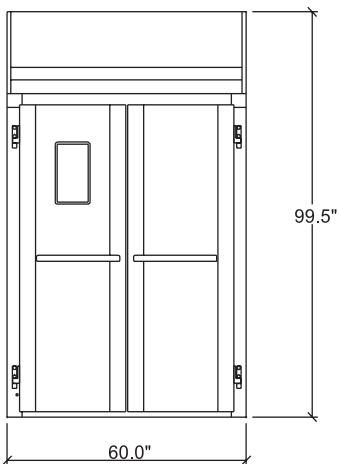
PLAN VIEW



30" INTERIOR DEPTH



50" INTERIOR DEPTH



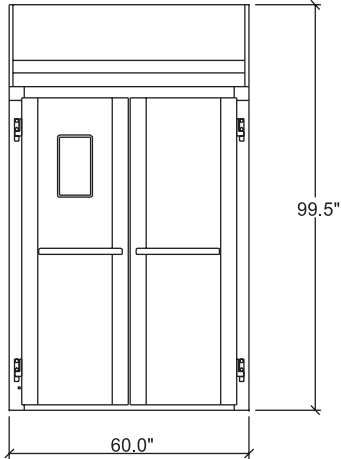
63" INTERIOR DEPTH



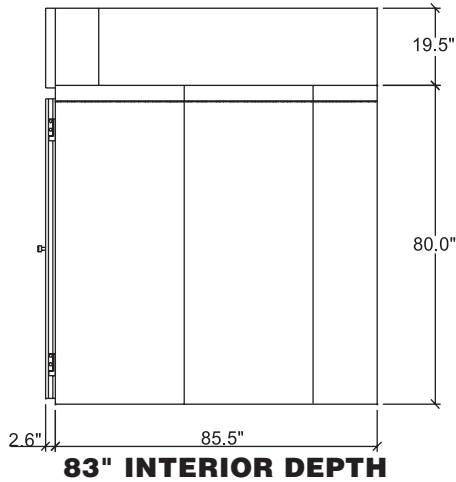
701 S Ridge Avenue, Troy, OH 45374
1-888-4HOBART • www.hobartcorp.com

HR2 SERIES TWO WIDE RETARDER

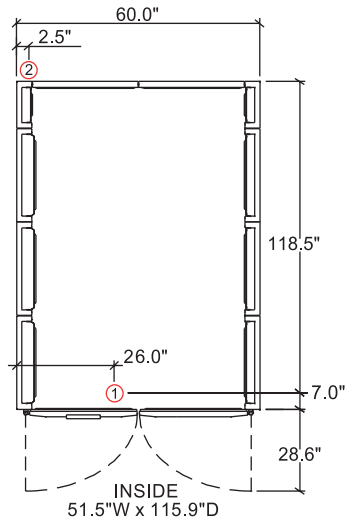
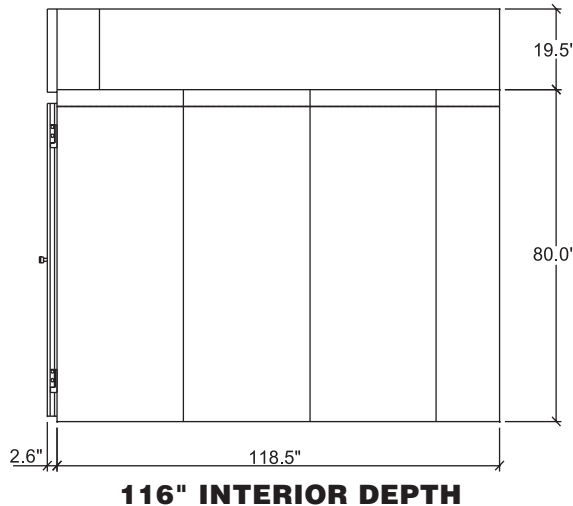
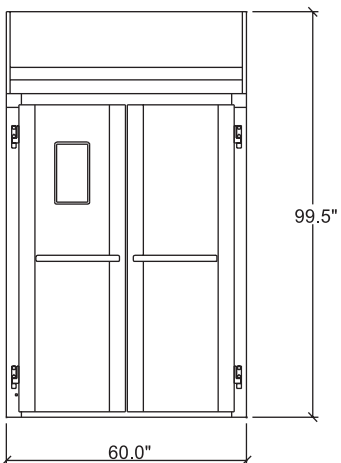
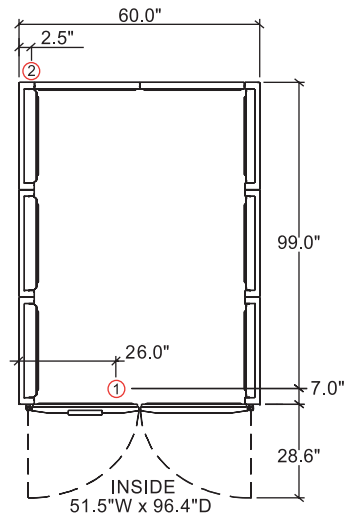
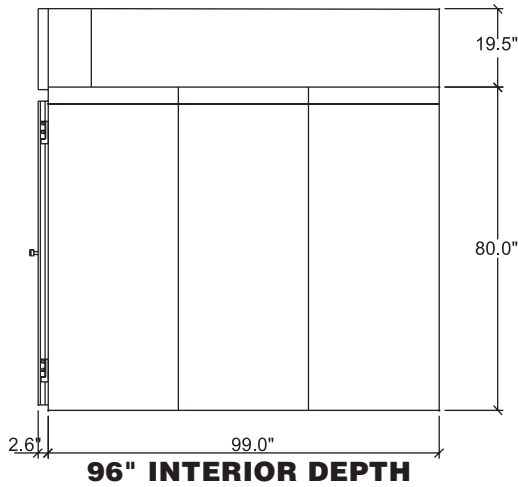
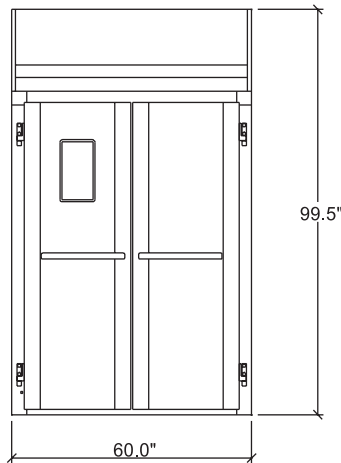
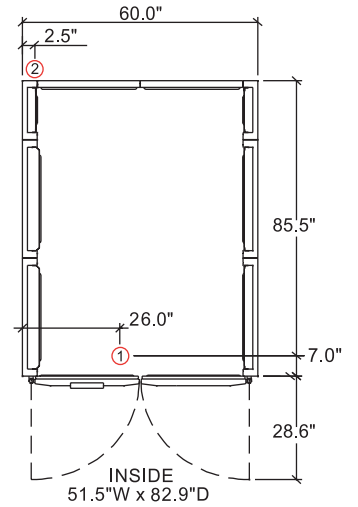
FRONT VIEW



SIDE VIEW



PLAN VIEW



① Electrical ② Drain

HR2 SERIES TWO WIDE RETARDER



701 S Ridge Avenue, Troy, OH 45374
1-888-4HOBART • www.hobartcorp.com

SPECIFICATIONS

GENERAL:

30" Interior Depth Two Door – Two Single Side or End Load Racks or One Double Rack

50" Interior Depth Two Door – Three Single Side or End Load Racks or One Double Rack

63" Interior Depth Two Door – Four Single End or Five Side Load Racks or Two Double Racks

83" Interior Depth Two Door – Six Single End or Side Load Racks or Two Double Racks

96" Interior Depth Two Door – Seven Single End or Eight Side Load Racks or Two Double Racks

116" Interior Depth Two Door – Nine Single End or Side Load Racks or Three Double Racks

CONSTRUCTION: Stainless steel interior and exterior is standard. The interior perimeter is supplied with bumpers on all sides to protect the finish.

CAPACITY: Door opening will accommodate 75" high racks.

INSULATION: The proofer cabinet is rigid and formed of stainless steel panels with polyurethane foam insulation and sealed with gaskets to form a strong, energy efficient, tight and sanitary enclosure.

HARDWARE AND FITTINGS: Heavy-duty, plastic-coated door handle positioned horizontally. Positive action door closure.

DETAILS AND DIMENSIONS

NOTE: This unit includes a self-contained refrigeration system with a 6450 BTU/Hr. condensing unit. The system is charged with R22 refrigerant at the factory prior to shipping. Contact your Hobart sales representative for information to use this unit with a remote refrigeration system.

PHYSICAL DATA	30" INTERIOR DEPTH	50" INTERIOR DEPTH	63" INTERIOR DEPTH
Interior Dimensions	75"H x 30"D x 51.5"W	75"H x 50"D x 51.5"W	75"H x 63.4"D x 51.5"W
Rack Capacity	2 single side or 2 end load or 1 double	3 single side or 3 end load or 1 double	4 single end or 5 side load or 2 double
Net Door Opening Height	75"	75"	75"
Net Door Opening Width	51.5"	51.5"	51.5"
Number of Doors	2	2	2
Exterior Dimensions	99.5"H x 36"D x 60.0"W	99.5"H x 55.5"D x 60.0"W	99.5"H x 69"D x 60.0"W
Power Input (w/neutral)	208-240V/60Hz/1/14A	208-240V/60Hz/1/14A	208-240V/60Hz/1/14A

PHYSICAL DATA	83" INTERIOR DEPTH	96" INTERIOR DEPTH	116" INTERIOR DEPTH
Interior Dimensions	75"H x 83"D x 51.5"W	75"H x 96.5"D x 51.5"W	75"H x 116"D x 51.5"W
Rack Capacity	6 single end or 6 side load or 2 double	7 single end or 8 side load or 2 double	9 single end or 9 side load or 3 double
Net Door Opening Height	75"	75"	75"
Net Door Opening Width	51.5"	51.5"	51.5"
Number of Doors	2	2	2
Exterior Dimensions	99.5"H x 88.1"D x 60.0"W	99.5"H x 102"D x 60.0"W	99.5"H x 120.1"D x 60.0"W
Power Input (w/neutral)	208-240V/60Hz/1/14A	208-240V/60Hz/1/14A	208-240V/60Hz/1/14A

As continued product improvement is a policy of Hobart, specifications are subject to change without notice.