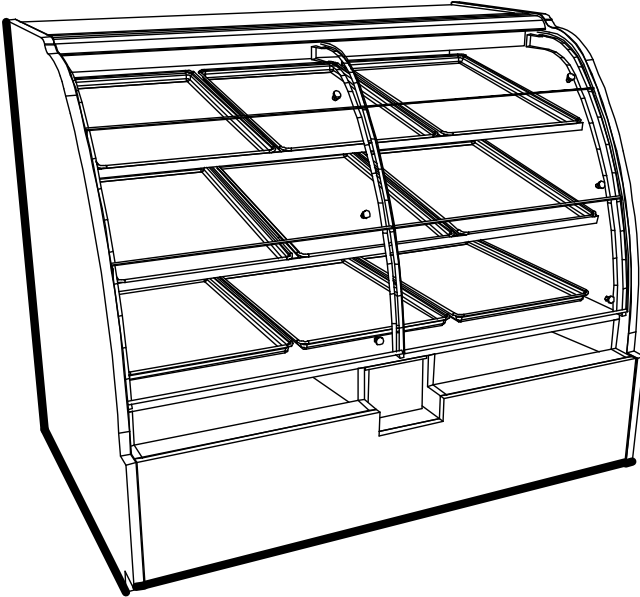


**Self-Service Acrylic Door Merchandiser**

HVAD56SS 58"L x 41"D x 51"H  
 HVAD74SS 76"L x 41"D x 51"H

STANDARD FEATURES

- 6' power cord.
- T-8 top and shelf lights with protective coating.
- One year parts & labor warranty.
- HVAD74SS - (12) 18x26 trays.
- HVAD48SS & HVAD56SS - (9) 18x26 trays.
- HVAD48SS & HVAD56SS - (6) clear acrylic lift-up doors.
- HVAD74SS - (9) clear acrylic lift-up doors.
- Shelf/shelves removable and adjustable vertically on 1" centers at 0°, 5° & 10° angles.
- Recessed front storage area for packaging supplies.



	STANDARD SPECIFICATION	OPTION(s)
INTERIOR COLOR	<input type="checkbox"/> Black	<input type="checkbox"/> White
TRIM COLOR	<input type="checkbox"/> Black	<input type="checkbox"/> Silver
EXTERIOR COLOR	<input type="checkbox"/> Wilsonart/Formica non-premium Laminate NOTE: Upper & lower rear areas white. Exterior case color to match Hussmann #311 Pearl	<input type="checkbox"/> Gold <input type="checkbox"/> Special paint colors <input type="checkbox"/> Standard paint colors <input type="checkbox"/> Wilsonart/Formica premium Laminate <input type="checkbox"/> Oak Veneer stained <input type="checkbox"/> Oak Veneer w/clear sealer
BASE SUPPORT	<input type="checkbox"/> Levelers	<input type="checkbox"/> Casters
FRONT PANEL	<input type="checkbox"/> Flat front	<input type="checkbox"/> Angled w/ABS front (specify paint color)
END PANEL LEFT	<input type="checkbox"/> Full w/mirror	<input type="checkbox"/> No end panel
END PANEL RIGHT	<input type="checkbox"/> Full w/mirror	<input type="checkbox"/> No end panel
FRONT DOORS	<input type="checkbox"/> (9) Free fall (HVAD74SS) <input type="checkbox"/> (6) Free fall (HVAD56SS)	<input type="checkbox"/> (12) Doors with slow close hinges (HVAD74SS) <input type="checkbox"/> (12) Free fall (HVAD74SS) <input type="checkbox"/> (9) Free fall (HVAD56SS) <input type="checkbox"/> (9) Doors with slow close hinges. <input type="checkbox"/> (6) Doors with slow close hinges (HVAD56SS & HVAD48SS)
UPPER REAR	<input type="checkbox"/> Clear glass rear sliding doors w/o lock Select as Required	<input type="checkbox"/> Reflective glass rear sliding doors w/o lock <input type="checkbox"/> Solid Back Panel
SHELVING	<input type="checkbox"/> (2) wire shelves 20"D & 26"D	<input type="checkbox"/> Acrylic bins w/ dividers <input type="checkbox"/> Acrylic bins w/o dividers
BUMPER	<input type="checkbox"/> None Select as Required Bumper color to match Hussmann #596 Royal Maroon	<input type="checkbox"/> 1" bumper on front & customer left & right ends <input type="checkbox"/> 1" bumper on front <input type="checkbox"/> 1" bumper on front & customer left end <input type="checkbox"/> 1" bumper on front & customer right end

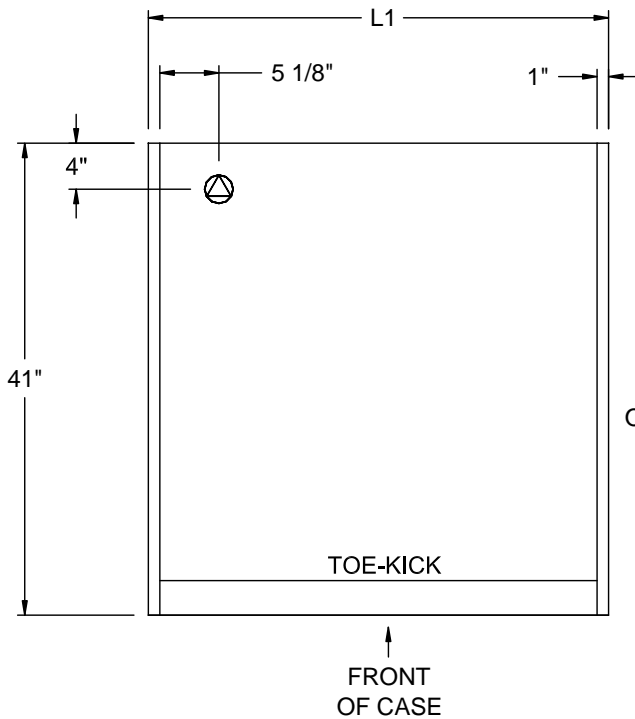
UPDATED DECEMBER 2007

# ENCORE®

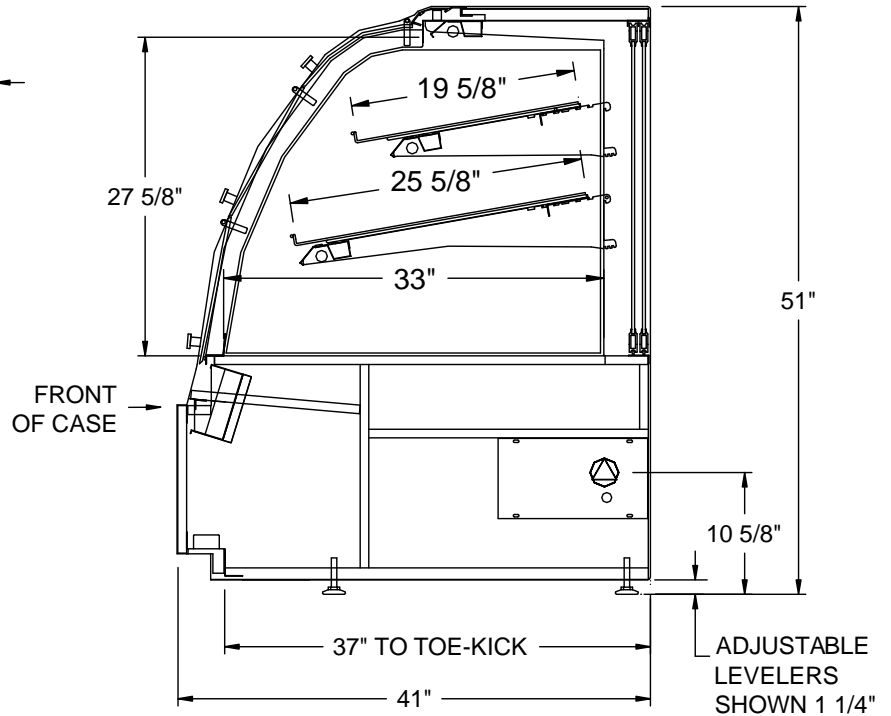
## PRODUCT SPECIFICATIONS

Intended Use of Display Area: Unpackaged non-refrigerated products  
 Integrated Product Temperature (IPT): Ambient°F  
 Intended Environment: Designed to operate in ambient conditions of 75°F / 55% relative humidity.

PLAN VIEW



SIDE VIEW



NOTE: ALL DIMENSIONS APPROXIMATE

- ⊗ ELECTRICAL JUNCTION BOX (SUPPLIED WITH 6" LEADS OR POWER CORD)
- ⊙ LOCATION OF CONDENSATE DRAIN TUBE (SUPPLIED WITH 3/4" OR 1/2" PVC DRAIN TUBE)
- ▨ PREFERRED LOCATION FOR SERVICE ENTRY
- ⊕ REFRIGERANT LINE CONNECTION

Model	Self-Contained Refrigeration/Dry					Remote Refrigeration w/Leads			Ship Wt	Frt Cls
	L1*	L2*	Volts++	Amps	NEMA Plug	Volts++	Amps***	BTUH		
HVAD56SS	58	N/A	120/1/60	1.06	NEMA 5-15P	N/A	N/A	N/A	700	125
HVAD74SS	76	N/A	120/1/60	1.37	NEMA 5-15P	N/A	N/A	N/A	820	125

++ Operating range for 120 volt rating is 110-120 volts; operating range for 220 volt rating is 208-230 volts.

\*\* Requires 3 wires + ground

\*\*\* Does not include electric defrost on freezer models

### REGULATORY APPROVALS

- ETL Listed Certified to CAN/CSA 22.2
- ETL Listed Conforms to UL 65

### Important Note:

42" Minimum door entry clearance required (Without shipping skid).

### Important Note:

Units are supplied with levelers. They must be adjusted during installation to ensure the unit is level and plumb. Dimensions reflect levelers extended 1 1/4".



Note: Information is subject to change at any time.

888 Porter Rd. Muskegon, MI 49441 Phone: 231.798.8888 Fax: 231.798.4960 www.structuralconcepts.com