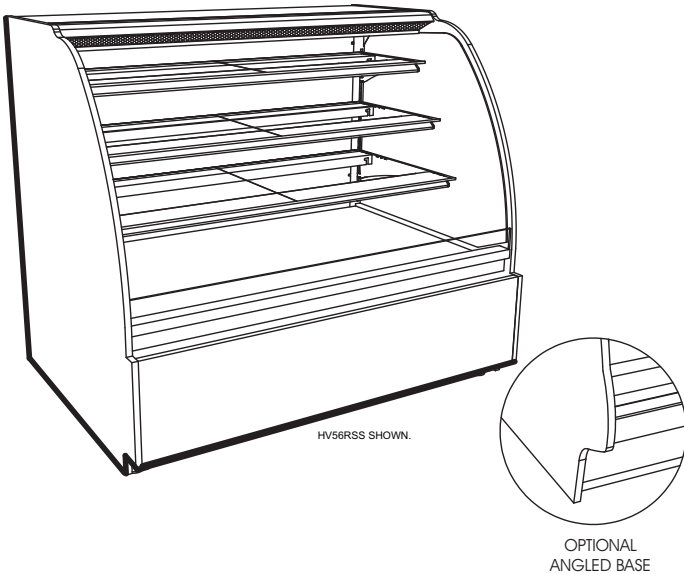


### Self-Service Refrigerated Bakery Merchandiser

- HV38RSS 40"L x 42"D x 51"H
- HV48RSS 50"L x 42"D x 51"H
- HV56RSS 58"L x 42"D x 51"H**
- HV74RSS 76"L x 42"D x 51"H
- HV96RSS 98"L x 42"D x 51"H
- HV112RSS 114"L x 42"D x 51"H

#### STANDARD FEATURES

- Compressor air intake through rear & out front panel. Front panel cannot be blocked. (40" & 50" models discharge through rear and front)
- T-8 top and shelf lights with protective coating.
- Electric condensate evaporator pan with all self-contained refrigeration packages.
- One year parts & labor; one to five year compressor warranty.
- Breeze™ refrigeration system.
- Integrated average product temperature of 41°F or less.
- Shelf/shelves removable and adjustable vertically on 1" centers at 0°, 5° & 10° angles.
- Open reach-in front.



	STANDARD SPECIFICATION	OPTION(S)
<b>INTERIOR COLOR</b>	<input type="checkbox"/> Black	<input type="checkbox"/> White <input type="checkbox"/> Stainless Steel
<b>TRIM COLOR</b>	<input type="checkbox"/> Black	<input type="checkbox"/> Silver <input type="checkbox"/> Gold
<b>EXTERIOR COLOR</b>	<input type="checkbox"/> Wilsonart/Formica non-premium Laminate NOTE: Upper & lower rear areas white. <b>Exterior case color to match                      Hussmann #311 Pearl</b>	<input type="checkbox"/> Special paint colors <input type="checkbox"/> Standard paint colors <input type="checkbox"/> <b>Wilsonart/Formica premium Laminate</b> <input type="checkbox"/> Oak Veneer stained <input type="checkbox"/> Oak Veneer w/clear sealer <input type="checkbox"/> Stainless Steel
<b>COVER/CURTAIN</b>	<input type="checkbox"/> <b>None</b>	<input type="checkbox"/> Night curtain, pull-down, non-locking <input type="checkbox"/> Security cover, removable, locking
<b>REFRIGERATION</b>	<input type="checkbox"/> Remote w/leads (Floor drain required) (HV112RSS only) <input type="checkbox"/> <b>Self contained rear air intake &amp; front discharge refrigeration w/straight blade power cord</b>	<input type="checkbox"/> Remote w/leads (Floor drain required) (HV38RSS thru HV96RSS) <input type="checkbox"/> Self contained w/locking power cord
<b>THERMOMETER</b>	<input type="checkbox"/> <b>Digital (Fahrenheit)</b>	<input type="checkbox"/> Digital (Celsius)
<b>BASE SUPPORT</b>	<input type="checkbox"/> <b>Levelers</b>	<input type="checkbox"/> Casters
<b>FRONT PANEL</b>	<input type="checkbox"/> <b>Flat front</b>	<input type="checkbox"/> ABS w/angled lower (painted)
<b>END PANEL LEFT</b>	<input type="checkbox"/> <b>Full w/mirror</b>	<input type="checkbox"/> Cutaway w/glass <input type="checkbox"/> No end panel <input type="checkbox"/> Case to case glass end
<b>END PANEL RIGHT</b>	<input type="checkbox"/> <b>Full w/mirror</b>	<input type="checkbox"/> Cutaway w/glass <input type="checkbox"/> No end panel <input type="checkbox"/> Case to case glass end
<b>SHELVING</b>	<input type="checkbox"/> <b>(3) clear glass shelves</b>	<input type="checkbox"/> (3) smoked glass shelves
<b>BUMPER</b>	<input type="checkbox"/> None Select as Required <b>Bumper color to match                      Hussmann #596 Royal Maroon</b>	<input type="checkbox"/> <b>1" bumper on front &amp; customer left &amp; right ends</b> <input type="checkbox"/> <b>1" bumper on front</b> <input type="checkbox"/> <b>1" bumper on front &amp; customer left end</b> <input type="checkbox"/> <b>1" bumper on front &amp; customer right end</b>

UPDATED DECEMBER 2007

# ENCORE<sup>®</sup>

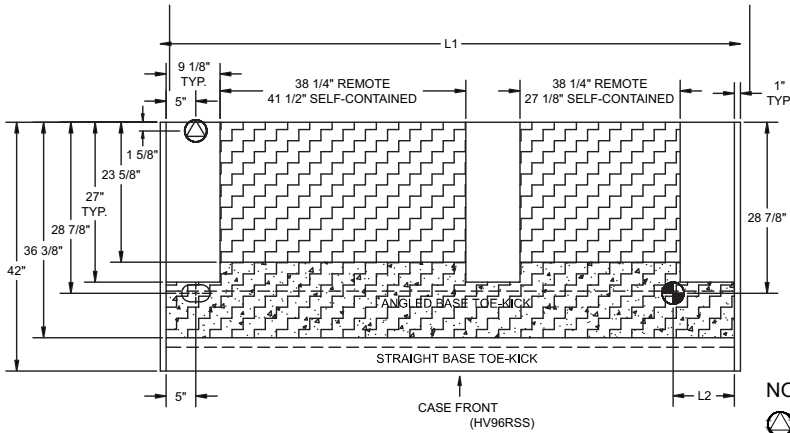
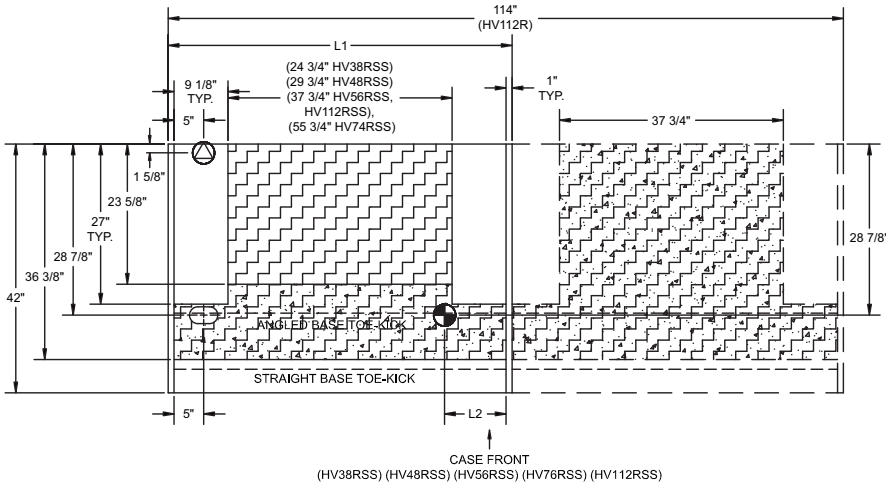
## PRODUCT SPECIFICATIONS

Intended Use of Display Area: Packaged refrigerated products

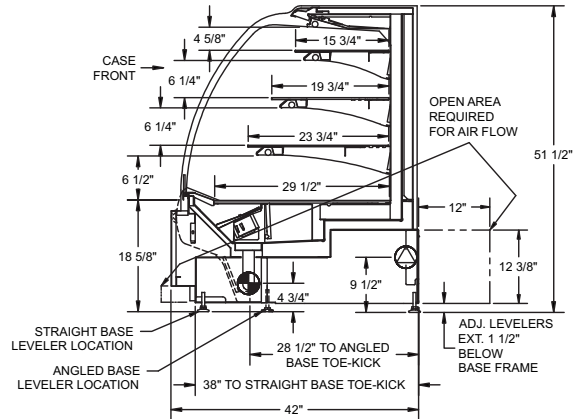
Integrated Product Temperature (IPT): 41°F

Intended Environment: Designed to operate in ambient conditions of 75°F / 55% relative humidity.

### PLAN VIEW



### SIDE VIEW



NOTE: ALL DIMENSIONS APPROXIMATE

- ELECTRICAL JUNCTION BOX (SUPPLIED WITH 6" LEADS OR POWER CORD).
- LOCATION OF CONDENSATE DRAIN TUBE (SUPPLIED WITH 3/4" OR 1 1/2" PVC DRAIN TUBE).
- REFRIGERATION LINE CONNECTION.
- REMOTE CASE SERVICE ACCESS AREA.
- SELF-CONTAINED CASE SERVICE ACCESS AREA.
- DRY CASE SERVICE ACCESS AREA.

Model	Self-Contained Refrigeration/Dry					Remote Refrigeration w/Leads			Ship Wt	Frt CIs
	L1*	L2*	Volts++	Amps	NEMA Plug	Volts++	Amps***	BTUH		
HV38RSS	40	4 3/4	120/1/60	15.48	NEMA 5-20 P	120/1/60	2.16	4226	780	110
HV48RSS	50	4 3/4	120/1/60**	12.81	NEMA 14-20P	120/1/60	2.31	5350	930	110
<b>HV56RSS</b>	<b>58</b>	<b>4 3/4</b>	<b>220/1/60**</b>	<b>12.81</b>	<b>NEMA 14-20P</b>	120/1/60	2.31	6143	900	110
HV74RSS	76	4 3/4	220/1/60**	17.35	NEMA 14-20P	120/1/60	3.86	8010	1180	110
HV96RSS	98	4 3/4	220/1/60**	22.81	NEMA 14-30P	120/1/60	4.11	9439	1000	110
HV112RSS	114	56	N/A	0	N/A	120/1/60	4.23	11911	1200	110

++ Operating range for 120 volt rating is 110-120 volts; operating range for 220 volt rating is 208-230 volts.

\*\* Requires 3 wires + ground

\*\*\* Does not include electric defrost on freezer models

### REGULATORY APPROVALS

- ETL Listed Certified to CAN/CSA 22.2
- ETL Listed Conforms to UL 471
- ETL Sanitation Conforms to NSF 7

### Important Note:

43" Minimum door entry clearance required (Without shipping skid).

### Important Note:

Compressor air ventilation is out the front panel. Front panel cannot be blocked.

### Important Note:

Units are supplied with levelers. They must be adjusted during installation to ensure the unit is level and plumb. Dimensions reflect levelers extended 1 1/4".



Note: Information is subject to change at any time.

888 Porter Rd. Muskegon, MI 49441 Phone: 231.798.8888 Fax: 231.798.4960 www.structuralconcepts.com