

# Self-Serve Island Merchandisers

HMI-103  
Three-Well Island

**HMI-105**  
**Five-Well Island**

Shown at right:

HMI-103 Island Merchandiser  
on PBI-280 Pedestal Base with  
stainless steel finish.



*Self-Serve Island Merchandisers let you expand your deli out into the store, where shoppers can select pre-packaged, pre-priced items without waiting in line.*

## Description

Henny Penny Heated Self-Serve Island Merchandisers are designed to hold and display heated food items and/or packaged meals with customer self-service from both sides. Self-Serve Island Merchandisers add flexibility to any hot food program by making it easy and convenient to display hot deli items in meal centers throughout the store.

## Configuration

- Bright, attractive self-serve display in three-well and five-well sizes.
- Customer self-serve access from both sides.
- Island Merchandiser Bases available in Profile or Pedestal styles. (See separate data sheet for Merchandiser Bases.)

## Main Features

- Hinged glass lifts for easy cleaning.
- Choice of mirrored or clear end glass.
- Bright incandescent lighting.
- Radiant heat over each well, heating elements below self-serve insert.
- Independent controls for upper and lower heat.
- Flush cover panel hides controls.
- Top quality stainless steel and tempered glass construction.
- Protective dual bumpers are available in several colors.
- Cooled landing shelf on both sides for handling convenience.



HMI-105 Island Merchandiser on IP-5 Island Profile Base with standard white panels and stainless steel corner posts.

## Henny Penny Corporation

P.O. Box 60  
Eaton, OH 45320

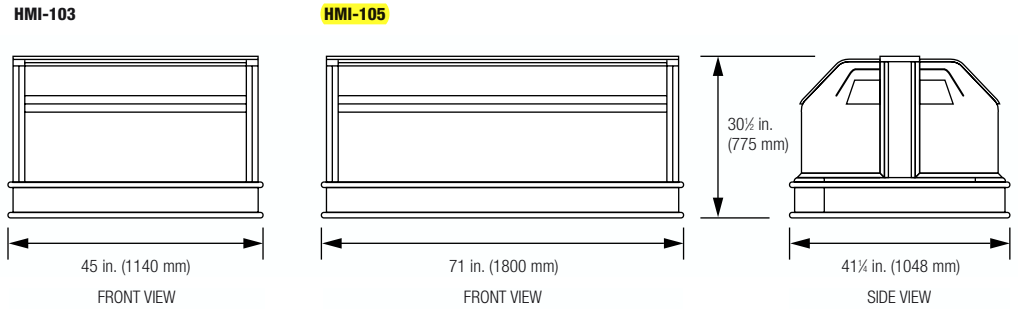
+1 937 456.8400  
+1 937 456.8402 Fax

**Toll free in USA**  
**800 417.8417**  
**800 417.8402 Fax**

[www.hennypenny.com](http://www.hennypenny.com)

# HMI-103 HMI-105 Specifications

## Dimensions



## Self-Serve Area Standard Configuration

### HMI-103 Three-Well Island Merchandiser

26 x 37½ in. (664 x 953 mm)

When ordering, please specify insert depth: ½ in. (10 mm) or 2 in. (51 mm)

### HMI-105 Five-Well Island Merchandiser

26¾ x 63¾ in. (667 x 1616 mm)

## Pan Capacity Optional Configuration

(3) full-size and (3) third-size pans  
up to 4 in. (102 mm) depth.

(5) full-size and (5) third-size pans  
up to 4 in. (102 mm) depth.

## Lighting

(12) coated 60W bulbs

(20) coated 60W bulbs

## Shipping Weight

359 lbs. (163 kg)

485 lbs. (220 kg)

## Listings

UL, UL Sanitation, CUL, CE

UL, UL Sanitation, CUL, CE

## Electrical

Model	KW	Amps at 1 Phase voltages			Amps at 3 Phase voltages		
		120/208V	120/240V	230V	120V/208V	120/240V	400V
HMI-103	2.4	11.0			8.0	7.5	
	2.6		11.0				
	2.0			8.6			
HMI-105	3.9	18.0			13.0		
	4.2		17.5			12.0	
	3.3						7.8

All units are 50/60 Hz, except 230V and 400V CE units, which are 50 Hz.

Specifications subject to  
change without notice

## Order from:

Manufactured by:

**Henny Penny Corporation**  
P.O. Box 60  
Eaton, OH 45320

# Merchandiser Bases

## For HMR Heated Merchandisers and HMI Island Merchandisers

Shown at right:

MPB-105 Profile Base, 19 in. (483 mm)  
height, standard white finish shown with  
HMR-105 Heated Merchandiser.



*Base units in several heights and styles  
designed specifically to complement  
Henny Penny HMR and Island  
merchandisers.*

### Description

Henny Penny Merchandiser bases are available in either Profile or Pedestal styles for both HMR and Island merchandisers.

Profile Bases are continuous length base units designed to support merchandisers at a choice of heights for desired food display and access.

Pedestal Bases provide an alternative look using two or three smaller units to support each merchandiser.

### Profile Base Features

- Rugged stainless steel construction with sturdy structural framework.
- Bumper strip strategically placed on MPB bases to prevent grocery cart damage.
- Available in white, cream, or stainless steel. Custom color panels and several bumper colors are also available to match store décor.
- Recessed kicker panel.
- Adjustable leveling feet (Casters are also available for IP bases).

### Pedestal Base Features

- Separate base pedestals with angled panels offer open, contemporary look to merchandiser display areas.
- Durable frame construction with snap-in side panels.
- Available in stainless steel finish or custom painted to match store décor.
- Recessed installation to avoid grocery cart damage.
- Adjustable leveling feet.



HMI-103 Island Merchandiser on PBI-280 Pedestal Base with stainless steel finish .

### Henny Penny Corporation

P.O. Box 60  
Eaton, OH 45320

+1 937 456.8400  
+1 937 456.8402 Fax

**Toll free in USA**  
**800 417.8417**  
**800 417.8402 Fax**

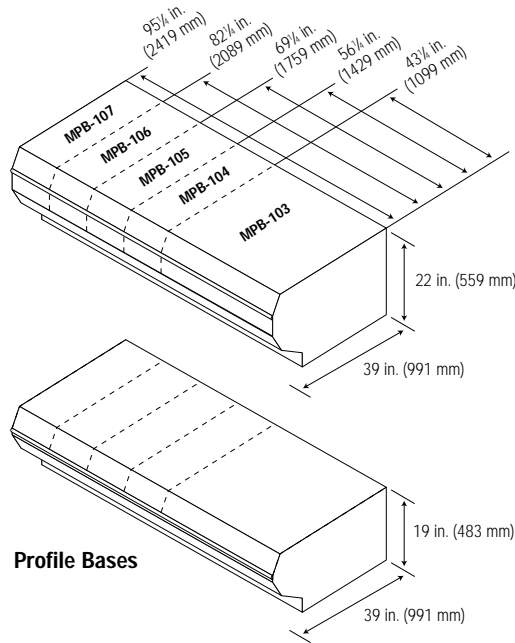
[www.hennypenny.com](http://www.hennypenny.com)

# Merchandise Base Specifications



## HMR Merchandise Bases

### Dimensions

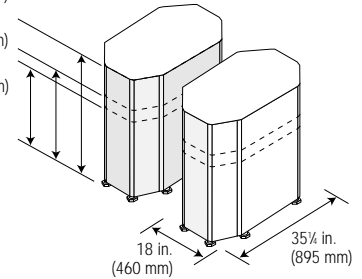


### Shipping Weight

Profile Bases	19 in. (483 mm) height	22 in. (559 mm) height
MPB-103	170 lbs. (77 kg)	168 lbs. (76 kg)
MPB-104		
MPB-105	220 lbs. (100 kg)	232 lbs. (105 kg)
MPB-106		341 lbs. (155 kg)
MPB-107	297 lbs. (135 kg)	311 lbs. (141 kg)

### Pedestal Bases

- PBB-290**  
29 in. (737 mm)
- PBB-220**  
22 in. (559 mm)
- PBB-190**  
19 in. (489 mm)



Note: HMR-103, HMR-104, and HMR-105 merchandisers require (2) pedestals; HMR-106 and HMR-107 require (3) pedestals. All merchandisers require (1) connector kit (available separately).

Pedestal Bases (per pedestal)	
PBB-190	
PBB-220	59 lbs. (27kg)
PBB-290	

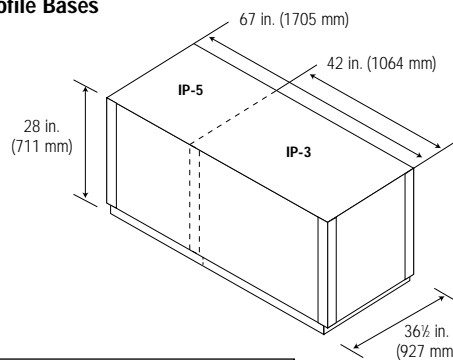
Contact your distributor or Henny Penny for shipping weights that are not shown.

### Listings

UL Sanitation

## Island Merchandise Bases

### Dimensions



### Shipping Weight

Island Profile Bases	
IP-3	195 lbs. (89 kg)
IP-5	246 lbs. (112 kg)

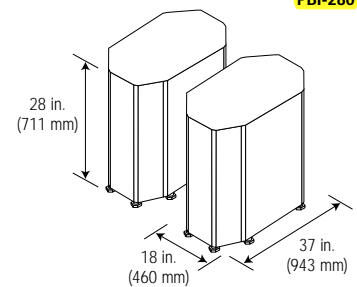
Contact your distributor or Henny Penny for PBI-280 shipping weight.

### Listings

UL Sanitation

## Island Pedestal Bases

### PBI-280



Note: HMI-103 and HMI-105 require (2) pedestals; Both merchandisers require (1) connector kit (available separately).

Specifications subject to change without notice

### Order from:

Manufactured by:

**Henny Penny Corporation**  
P.O. Box 60  
Eaton, OH 45320