

ESCORT

RETRACTABLE BELT PRODUCTS

ALVARADO MFG. Co.

Alvarado's Escort retractable belt products are designed to provide effective, portable queuing for a wide variety of applications.

Three separate attachment points, the ability to lock belts in place, and a stable 14" diameter base enable the Escort to create virtually any queuing system configuration.

The Escort is the only retractable belt product to combine an extruded aluminum post with unique, decorative color trim strips.

Escort stanchions feature a weighted base with cover. An attached rubber floor protector pad is also included.

Posts are available in bright anodized or black anodized finishes. Base covers are available in chrome or scratch resistant black plastic.

Escort belts extend up to 7 feet, and are available in standard colors of black, blue and red.

Escorts are also available as a wall mount unit, with wall receiver.



- ***14" Diameter Weighted Base For Added Stability***
- ***Four-Way Belt Connection System***
- ***Standard and Custom Belt and Trim Strip Colors***
- ***Bright and Black Anodized Finishes***

ALVARADO

DESCRIPTION

PRODUCT NAME

Escort retractable belt products.

APPLICATIONS

Escort retractable belt stanchions provide portable pedestrian queuing for a wide variety of applications. Wall mount Escorts are also available.

PRODUCT FEATURES

Materials/Construction

- Posts are constructed from tempered T-5 continuous aluminum extrusion
- Four lengthwise grooves in each post contain laminated color trim strips
- Three-way locking belt attachment
- Heavy-duty belt head assembly
- Belt extends up to 7 feet
- Stanchions include a 14" diameter epoxy coated cast iron base weight with base cover
- Base weight includes attached non-marring rubber floor protection

Finishes/Colors

- Bright anodized post includes a bright chrome steel base cover
- Black anodized post features a scuff-resistant black plastic base cover
- Standard belt and matching trim strip colors are blue, red and black

PRODUCT SELECTION

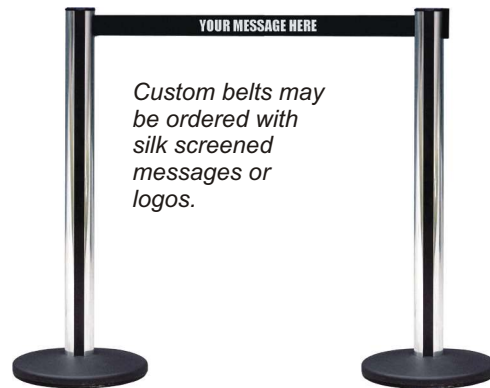
Escort Retractable Belt Stanchion - Free standing portable queuing stanchion. Includes 7 foot retractable belt.

Escort Receiver-Only Stanchion - Free standing portable stanchion without retractable belt. Allows connection of up to four belts.

Escort Wall Mount - Includes mounting hardware plus wall receiver.

ESCORT OPTIONS

Belts - Custom belt colors, messages and logos are available.



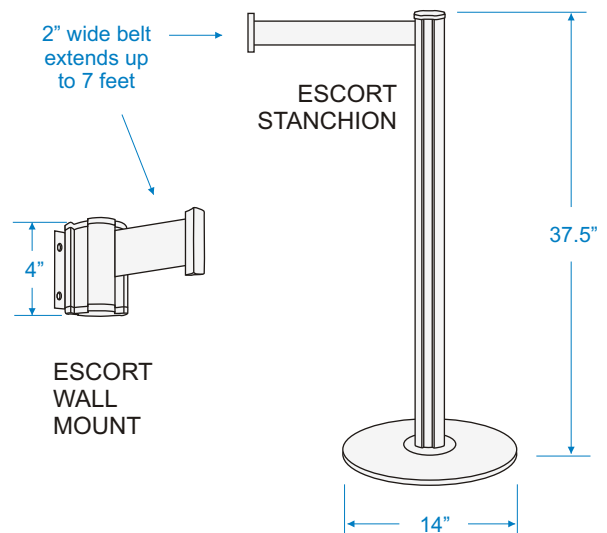
Sign Holders - Metal sign holders in 7" x 11" or 11" x 7" sizes may be mounted with an available Escort sign holder adapter.

Signs - Standard and custom signs are available.

Roller Wheel - Escort stanchions may be ordered with a roller attached to the base for easy portability.

WARRANTY

Alvarado's one-year written warranty applies to all products.



Escort Retractable Belt

Product Name

Escort Retractable Belt Stanchion

Manufacturer

Alvarado Manufacturing Co., Inc.

12660 Colony St.

Chino, CA 91710

Telephone (909) 591-8431

Toll Free 800-423-4143

Fax (909) 628-1403

www.alvaradomfg.com

Email: information@alvaradomfg.com



Product Description: The Escort is a self contained portable retractable belt stanchion that utilizes a spring tensioned 2" wide woven nylon belt. The belt can be fully extended to a length of seven feet, but will remain taught when used to span shorter distances as well. The belt fully retracts automatically and can be attached to any of the three attachment points on the Escort post.

Materials: All metal materials meet appropriate ASTM Standards.

Mechanical Components:

- The **Post** is constructed from a heavy walled T5 tempered continuous aluminum extrusion that is .1030 at its thinnest point. Each post contains four grooves that run the length of the post. Each groove contains a 35" x 1 5/8" decorative high-pressure color laminated Formica ® trim strip. Each groove also serves as a belt attachment point allowing connection from any of three angles.
- The **Base Cover** is 14 inches in diameter and fits over a base weight. Covers are available in a 14" anti-scuff black plastic or 16 Ga. stamped steel with a bright chrome, brushed chrome or a smooth or textured black powdercoat finish.
- The **Base Weight** is cast iron with an epoxy coating and fits snugly underneath the base cover. The entire outer rim of the base cover contains a non-marring black rubber rim that is attached to the cast base through the use of spru holes. Each base weight also contains a cutout to allow the addition of an optional floor roller.
- The **Belt** is 2" wide woven nylon. The belt can extend up to 82" from post to post center. The belt is available in a variety of colors and with silk-screened logos or messages. A 1.269" x 3.125" plastic belt end attaches to the end of the belt to allow the belt to be secured to another Escort. The belt end can be secured into place with locking tabs supplied with each Escort unit.
- The main belt **Spring** is a stainless steel, power-wound constant force spring that retracts the complete length of the belt when not in use.

Finishes: The Escort is available in the following finishes:

- **Post** – Available bright chrome anodized, anodized black, anodized brass finish or a wrinkle black powdercoat finish. Alternative powdercoat colors are available.
- **Base Cover** - Available in anti-scuff black plastic, bright chrome, satin chrome, brass plate or a smooth or textured black powdercoat. Alternative powdercoat colors are available.

Size: The Escort has an overall height of 36.88". The post has a diameter of 3.175". The base has a diameter of 14". The belt is 2" wide and extends up to 82". The bottom of the belt is 34" from the finished floor.

Shipping: The Escort is shipped ready for assembly. Alvarado ships products throughout the world.

Installation: Escort Retractable Belt Stanchions are designed for installation on level flooring. Installation should be performed following the manufacturer's directions and instructions (supplied with the product).

Options:

The following is a list of options that are available for the Escort Retractable Belt Stanchion:

- **Belts** – Custom belt colors, belt messages and logos are available.
- **Sign Frames** – 7" x 11" and 11" x 7" metal sign frames
- **Signs** – Standard and custom signs are available.
- **Removable Floor Mounting** – The Escort is supplied without a base and base weight. Escorts are equipped with a floor socket to allow easy removal.
- **Permanent Floor Mounting** – The Escort post is secured to the floor using a steel floor flange and base.
- **Roller** – A cylindrical roller is added to the base plate to allow the Escort to be rolled into place.
- **Color Powdercoat Colors** – Post and base cover are available in powdercoat colors.

Warranty: Alvarado Manufacturing Co., Inc. warrants the Escort Retractable Belt Stanchion from defects in material or workmanship, for the period of ONE YEAR from date of shipment. Complete details of the warranty are available from Alvarado by request.