

HUSSMANN®

IMPACT EXCEL

Single or Multi-Deck Produce Merchandiser

P1X-E, P1X-XE, P1NX-E



Single-Deck Produce Merchandiser

P1X-E Single Deck Produce

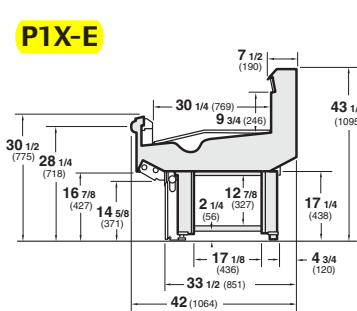
P1X-XE Single Produce With High Back

P1NX-E Narrow Footprint, Single Deck Produce

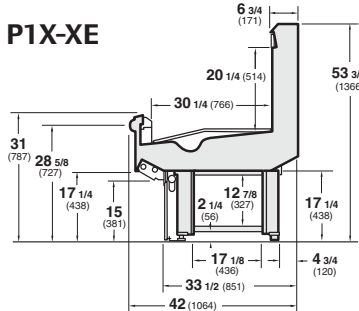
Available in 4', 6', 8' & 12' lengths.

HUSSMANN®
Impact Excel

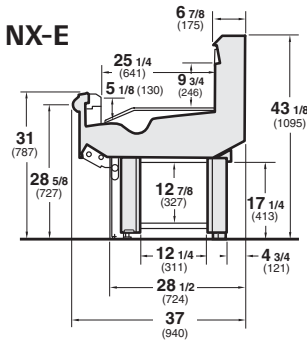
P1X-E



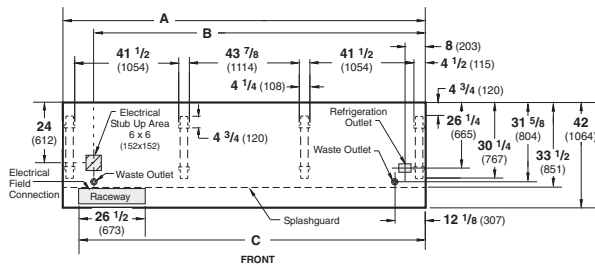
P1X-XE



P1NX-E



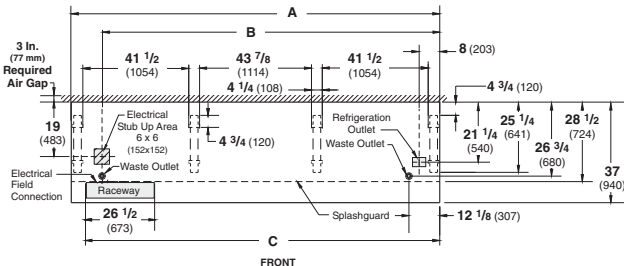
P1X-E, P1X-XE, 4', 6', 8' & 12' Plan Views



Dimension	A	B	C
4 foot	48 3/8 (1229)	36 1/4 (921)	42 1/8 (1070)
6 foot	72 3/8 (1838)	60 1/4 (1530)	66 1/8 (1680)
8 foot	96 3/8 (2448)	84 1/4 (2140)	90 1/8 (2289)
12 foot	144 1/2 (3670)	132 3/8 (3363)	138 1/4 (3511)

Note: Overall case length without ends or partitions

P1NX-E, 4', 6', 8' & 12' Plan Views



Dimension	A	B	C
4 foot	48 3/8 (1229)	36 1/4 (921)	42 1/8 (1070)
6 foot	72 3/8 (1838)	60 1/4 (1530)	66 1/8 (1680)
8 foot	96 3/8 (2448)	84 1/4 (2140)	90 1/8 (2289)
12 foot	144 1/2 (3670)	132 3/8 (3363)	138 1/4 (3511)

Note: Case-to-case electrical connections are made in front of splashguard.

Superior Merchandising

The P1X-E is a single deck display that makes your produce easy to see and easy to reach. The P1X-XE provides a higher back for more capacity, and the P1NX-E reduces the front to back dimension to save floor space.

Lower Energy Costs

Energy efficient "E" coils are standard on the P1X-E.

Superior Shelf Life

Modular coils and off-time defrost work to reduce thermal shock and stabilize product temperatures, resulting in better freshness and longer shelf life.

Lower Labor Costs

Labor saving features include greater clearance under the case, easy-to-clean bathtub bottom, adjustable feet, easier raceway access and more.

Superior Reliability

Our five year modular coil warranty is the best available. Pre-set expansion valves are designed to hold optimal temperatures throughout the life of the case.

Note: These merchandisers are designed for use in stores when temperature and humidity do not exceed 75°F and 55% RH.

Note: We reserve the right to change or revise specifications and product design in connection with any feature of our products. Such changes do not entitle the buyer to corresponding changes, improvements, additions or replacements for equipment previously sold or shipped.

Note: Please use Hussmann's technical data sheets to get precise dimensions for all store layout purposes.

Web Site: www.hussmann.com
E-mail: hussmann-marketing@irco.com



Hussmann Corporation
12999 St. Charles Rock Rd.
Bridgeton, MO 63044-2483
(314) 291-2000
(314) 298-4756 Fax