



Model "ESC" COVED SINK BOWLS
THREE COMPARTMENT, ONE INTEGRAL DRAINBOARD
 Sink - 13" Deep — Stainless Steel - #16 Gauge — Type 302-18/8



ModelNo.	Drainboard Size I.D	Sink Size I.D	Overall Size	Approx Wt.
	L x W	L x W	L x W	
ESC-3-4618-18 L or R	18"x18"	14"x1 6"	64"x21 3/4"	125
ESC-3-4618-24 L or R	24"x18"	14"x16"	70"x21 3/4"	130
ESC-3-4618-30 L or R	30"x1 8"	14"x1 6"	76"x21 3/4"	135
ESC-3-4618-36 L or R	36"x18"	14"x16"	82"x21 3/4"	140
ESC-3-4621-18 L or R	18"x21"	14"x19'	64"x24 3/4"	135
ESC-3-4621-24 L or R	24"x21"	14"x19"	70"x24 3/4"	140
ESC-3-4621-30 L or R	30"x21"	14"x19"	76"x24 3/4"	145
ESC-3-4621-36 L or R	36"x21"	14"x19"	82"x24 3/4"	150
ESC-3-5218-18 L or R	18"x18"	16"x16"	70"x21 3/4"	135
ESC-3-5218-24 L or R	24"x18"	16"x16"	76"x21 3/4"	140
ESC-3-5218-30 L or R	30"x18"	16"x16"	82"x21 3/4"	145
ESC-3-5218-36 L or R	36"x18"	16"x16"	88"x21 3/4"	150
ESC-3-5221-18 L or R	18"x21"	16"x19"	70"x24 3/4"	145
ESC-3-5221-24 L or R	24"x21"	16"x19"	76"x24 3/4"	150
ESC-3-5221-30 L or R	30"x21"	16"x19"	82"x24 3/4"	155
ESC-3-5221-36 L or R	36"x21"	16"x19"	88"x21 3/4"	160
ESC-3-5824-18 L or R	18"x24"	18"x22"	76"x27 3/4"	170
ESC-3-5824-24 L or R	24"x24"	18"x22"	82"x27 3/4"	175
ESC-3-5824-30 L or R	30"x24"	18"x22"	88"x27 3/4"	180
ESC-3-5824-36 L or R	36"x24"	18"x22"	94"x27 3/4"	185
ESC-3-7024-18 L or R	18"x24"	22"x22"	88"x27 3/4"	190
ESC-3-7024-24 L or R	24"x24"	22"x22"	94"x27 3/4"	195
ESC-3-7024-30 L or R	30"x24"	22"x22"	100"x27 3/4"	200
ESC-3-7024-36 L or R	36"x24"	22"x22"	106"x27 3/4"	205

When ordering Specify "L" for Left Hand or "R" for Right Hand Drainboard.

Model "ESC" COVED SINK BOWLS
THREE COMPARTMENT, TWO INTEGRAL DRAINBOARD
 Sink - 13" Deep — Stainless Steel - #16 Gauge — Type 302-18/8

ModelNo.	Drainboard Size I.D	Sink Size I.D	Overall Size	Approx Wt.
	L x W	L x W	L x W	
ESC-3-4618-18 L or R	(2) 18"x18"	14"x16"	81"x21 3/4"	145
ESC-3-4618-24 L or R	(2) 24"x18"	14"x16"	93"x21 3/4"	155
ESC-3-4618-30 L or R	(2) 30"x1 8"	14"x16"	105"x21 3/4"	165
ESC-3-4618-36 L or R	(2) 36"x18"	14"x16"	117"x21 3/4"	170
ESC-3-4621-18 L or R	(2) 18"x21"	14"x19'	81"x24 3/4"	150
ESC-3-4621-24 L or R	(2) 24"x21"	14"x19"	93"x24 3/4"	160
ESC-3-4621-30 L or R	(2) 30"x21"	14"x19"	105"x24 3/4"	170



[More Sinks](#)
[Click Here](#)

ESC-3-4621-36 L or R	(2) 36"x21"	14"x19"	117"x24 3/4"	180
ESC-3-5218-18 L or R	(2) 18"x18"	16"x16"	87"x21 3/4"	155
ESC-3-5218-24 L or R	(2) 24"x18"	16"x16"	99"x21 3/4"	165
ESC-3-5218-30 L or R	(2) 30"x18"	16"x16"	111"x21 3/4"	175
ESC-3-5218-36 L or R	(2) 36"x18"	16"x16"	123"x21 3/4"	185
ESC-3-5221-18 L or R	(2) 18"x21"	16"x19"	87"x24 3/4"	160
ESC-3-5221-24 L or R	(2) 24"x21"	16"x19"	99"x24 3/4"	170
ESC-3-5221-30 L or R	(2) 30"x21"	16"x19"	111"x24 3/4"	180
ESC-3-5221-36 L or R	(2) 36"x21"	16"x19"	123"x21 3/4"	190
ESC-3-5824-18 L or R	(2) 18"x24"	18"x22"	93"x27 3/4"	195
ESC-3-5824-24 L or R	(2) 24"x24"	18"x22"	105"x27 3/4"	205
ESC-3-5824-30 L or R	(2) 30"x24"	18"x22"	117"x27 3/4"	215
ESC-3-5824-36 L or R	(2) 36"x24"	18"x22"	129"x27 3/4"	225
ESC-3-7024-18 L or R	(2) 18"x24"	22"x22"	105"x27 3/4"	225
ESC-3-7024-24 L or R	(2) 24"x24"	22"x22"	117"x27 3/4"	235
ESC-3-7024-30 L or R	(2) 30"x24"	22"x22"	129"x27 3/4"	255
ESC-3-7024-36 L or R	(2) 36"x24"	22"x22"	141"x27 3/4"	280

[Home](#) || [Corporate Overview](#) || [Product Lines](#) || [Mission](#) ||
[Clients](#) || [History](#) || [Markets Served](#) || [Sales & Support](#) ||
[Recently Completed Projects](#) || [Contact](#) | [Terms and Conditions](#) |



NSF Testing
Laboratory

Marlo Manufacturing Inc.

Tel. 973-423-0226
Toll Free: 1-800-222-0450
fax. 973-423-1638

©2000 Marlo Manufacturing - All Rights Reserved

Internet Consulting and Site Development Provided
by the [Metro Web Group](#)

Contact Our [Webmaster for Questions/Comments](#) About Our Site



JOB:

Item No.:



Model 75

FOOD WASTE DISPOSER 3/4 HP - 1 Phase & 3 Phase

CORROSION RESISTANT BODY

Permanent molded from heat treated aluminum alloy.

TEFLON LIP WATER SEAL

Protects the motor from damage by water.

TAPERED ROLLER BEARING

Provides longer motor life, quiet operation and shock absorbing.

WATER COOLED MOTOR

Provides maximum efficiency and longer life.

QUIET OPERATION

Extra thick rubber mounting adaptor and drain outlet isolates sound and eliminates vibration.

WASTE MIXING CHAMBER

Extra large to ensure proper mixture of water to waste.

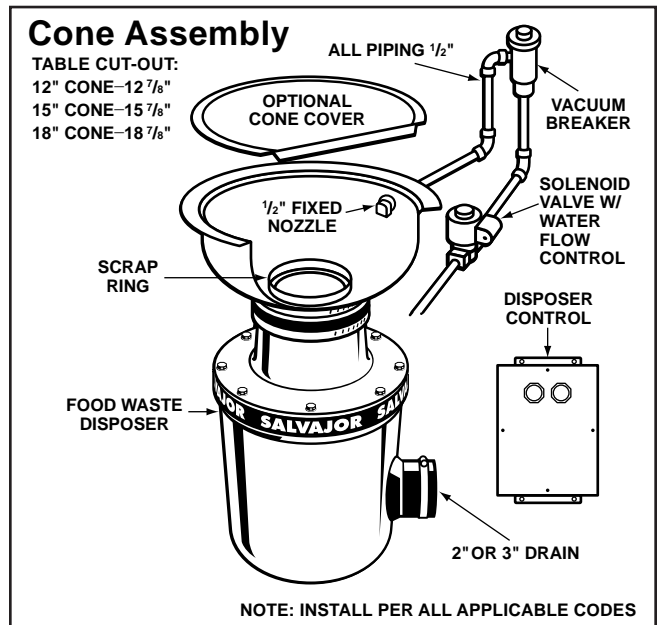
NEMA 4X Watertight Controls

MSS

MRSS

ARSS

Optional Line Disconnect (LD) available with above Controls



FULL LOAD AMPS		
<input type="checkbox"/>	115 Volts	1 Phase 17.8 Amps
<input type="checkbox"/>	208 Volts	1 Phase 9.9 Amps
<input type="checkbox"/>	230 Volts	1 Phase 9.0 Amps
<input type="checkbox"/>	208 Volts	3 Phase 4.0 Amps
<input type="checkbox"/>	230 Volts	3 Phase 4.2 Amps
<input type="checkbox"/>	460 Volts	3 Phase 2.1 Amps

◆ SPECIFY EXACT OPERATING VOLTAGE ◆

Salvajor Model 75

Food Waste Disposer 3/4 HP – 1 Phase & 3 Phase

DETAILS AND DIMENSIONS

SPECIFICATIONS:

MOUNTING – Rubber adaptor above grind chamber and rubber drain outlet isolates sound and eliminates vibration. No metal to metal contact.

EXTERIOR HOUSING – Permanent molded from heat treated, corrosion resistant aluminum alloy then computer machined to a smooth polished finish. Paint free.

SHREDDER – 8 inch diameter, machined high strength, wear resistant hardened carbide alloy.

ROTOR – 8 inch diameter with 2 cutter bars, machined high strength, wear resistant hardened carbide alloy.

MOTOR – 3/4 HP totally enclosed. Fan cooled and water cooled for efficiency and longer life. Built-in manual reset thermal overload protection. Available in 208 volts or 115/230 volts, 60 cycle, 1 phase and 208-230/460 volts, 60 cycle, 3 phase.

BEARINGS – Tapered roller (top)
Sealed ball (bottom)

SEAL – Teflon Lip Water Seal.

WATER REQUIREMENT – 5 gallons of cold water per minute.

WASTE OUTLET – Rubber drain accepts 2" piping or 3" piping by removing drain insert.

DUAL DIRECTION GRINDING – Designed to operate in either direction. Direction of rotation can be controlled when installed with automatic reversing controls. *Reversing rotation can double cutting teeth life.*

LEG SUPPORT (Optional) – Single leg, adjustable.

ASSEMBLIES: (See Specification Sheet)

CA – Cone Assembly with 12", 15" or 18" Cone

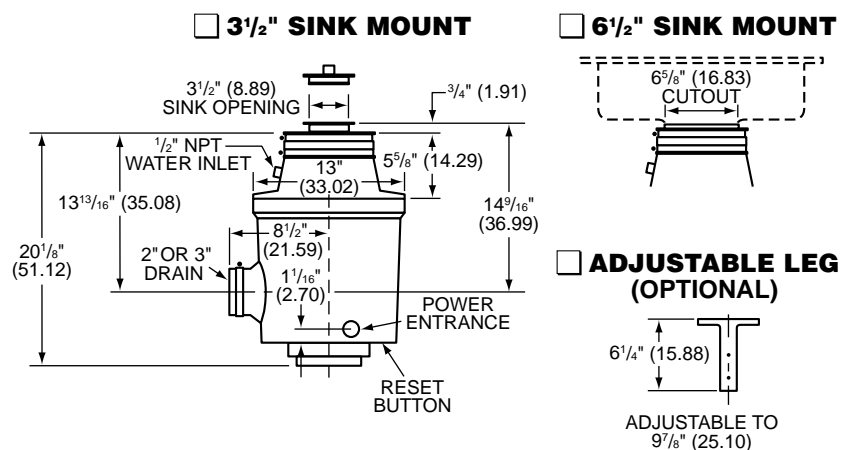
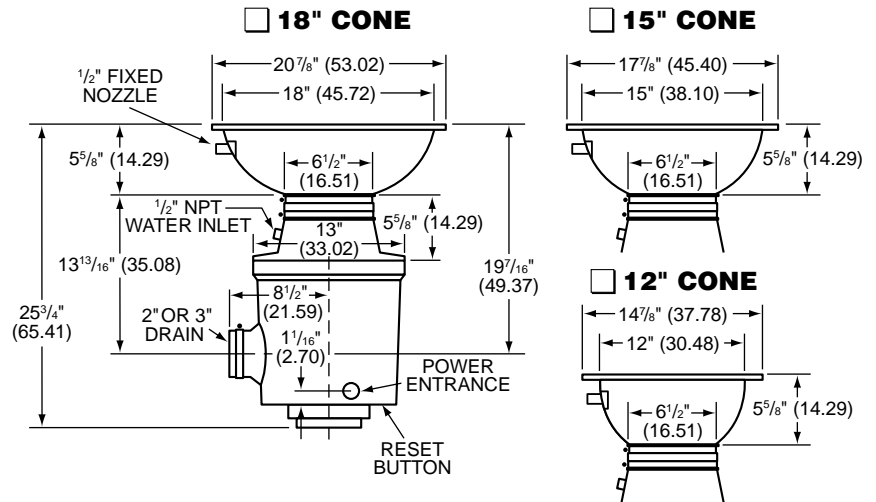
SA – Sink Assembly with 3 1/2" or 6 1/2" Sink Collar

DISPOSER CONTROLS: (See Specification Sheet)

MSS: (Non Reversing)

MRSS: (Manual Reversing)

ARSS: (Automatic Reversing)



NOTE: Dimensions in parenthesis are in centimeters
(Specifications subject to change without notice)

Current specification details may be found online at www.salvajor.com

SAMPLE SPECIFICATION			
75- CA-18	MSS	(230/60/3)	
Model	Cone Size	Disposer Control	Electrical Specs.
Assembly			
◆ SPECIFY EXACT OPERATING VOLTAGE ◆			



The Salvajor Company 4530 East 75th Terrace Kansas City, Missouri 64132-2081, USA

1-800-821-3136

(816) 363-1030

FAX: 1-800-832-9373

www.salvajor.com

Email: sales@salvajor.com

service@salvajor.com

Manufacturers of Commercial Food Waste Disposing Systems since 1944