



DeCA Decor 2009

Prototype Commissary Facilities 12'-0" & 14'-0" - 18'-0" Ceiling Height

Defense
Commissary
Agency
Lackland AFB, Texas
Fort Lee, Virginia

© COPYRIGHT 2009
THIS DOCUMENT IS THE PROPERTY OF THE DEFENSE
COMMISSARY AGENCY AND NO PART HEREIN SHALL BE
USED WITHOUT THE CONSENT OF THE DEFENSE
COMMISSARY AGENCY

DATE: SOLICITATION ISSUE: 2-25-09
DATE: CRITERIA ISSUE: 5-28-09
DATE:
DATE:

Index of Drawings

Title Sheet and Schedules

G1.1 Title Sheet

Interior Decor Plans and Elevations

A1.1 Component Placement Plan - 39,000 S.F. - Class I
 A1.2 Overall Interior Elevations - 39,000 S.F. - Class I - 14'-18' Ceiling
 A1.3 Overall Interior Elevations - 39,000 S.F. - Class I - 14'-18' Ceiling
 A1.4 Overall Interior Elevations - 39,000 S.F. - Class I - 12' Ceiling
 A1.5 Overall Interior Elevations - 39,000 S.F. - Class I - 12' Ceiling
 A1.1a Component Placement Plan - 22,000 S.F. - Class IA
 A1.2a Overall Interior Elevations - 22,000 S.F. - Class IA - 14'-18' Ceiling
 A1.3a Overall Interior Elevations - 22,000 S.F. - Class IA - 14'-18' Ceiling
 A1.4a Overall Interior Elevations - 22,000 S.F. - Class IA - 12' Ceiling
 A1.5a Overall Interior Elevations - 22,000 S.F. - Class IA - 12' Ceiling
 A3.1 Component Placement Plan - 79,000 S.F. - Class III
 A3.2 Overall Interior Elevations - 79,000 S.F. - Class III - 14'-18' Ceiling
 A3.3 Overall Interior Elevations - 79,000 S.F. - Class III - 14'-18' Ceiling
 A3.4 Overall Interior Elevations - 79,000 S.F. - Class III - 12' Ceiling
 A3.5 Overall Interior Elevations - 79,000 S.F. - Class III - 12' Ceiling
 A5.1 Component Placement Plan - 110,000 S.F. - Class V
 A5.2 Overall Interior Elevations - 110,000 S.F. - Class V - 14'-18' Ceiling
 A5.3 Overall Interior Elevations - 110,000 S.F. - Class V - 14'-18' Ceiling
 A5.4 Overall Interior Elevations - 110,000 S.F. - Class V - 12' Ceiling
 A5.5 Overall Interior Elevations - 110,000 S.F. - Class V - 12' Ceiling
 A6.1 Soffit Sections - 14'-18' Ceiling
 A6.2 Soffit Sections - 14'-18' Ceiling
 A6.3 Soffit Sections - 12' Ceiling
 A7.1 Finish Schedule
 A7.2 Equipment Color Schedule

Bakery & Deli Enlarged Elevations

14'-18' Ceiling
 BD1.1 Bakery/Deli Enlarged Elevations
 BD1.2 Bakery/Deli Enlarged Elevations
 BD1.3 Bakery/Deli Enlarged Elevations
12' Ceiling
 BD1.4 Bakery/Deli Enlarged Elevations
 BD1.5 Bakery/Deli Enlarged Elevations

Dairy Enlarged Elevations

14'-18' Ceiling
 DA1.1 Dairy Enlarged Elevations
 DA1.2 Dairy Enlarged Elevations
12' Ceiling
 DA1.3 Dairy Enlarged Elevations

Entrance/Exit Enlarged Elevations

14'-18' Ceiling
 E1.1 Entrance/Exit Enlarged Elevations
 E1.2 Entrance/Exit Enlarged Elevations
 E1.3 Entrance/Exit Enlarged Elevations
 E1.4 Entrance/Exit Enlarged Elevations
 E1.5 Entrance/Exit Enlarged Elevations
12' Ceiling
 E1.6 Entrance/Exit Enlarged Elevations
 E1.7 Entrance/Exit Enlarged Elevations

Frozen Enlarged Elevations

14'-18' Ceiling
 F1.1 Frozen Enlarged Elevations
12' Ceiling
 F1.2 Frozen Enlarged Elevations

Meat Enlarged Elevations

14'-18' Ceiling
 M1.1 Meat Enlarged Elevations
12' Ceiling
 M1.2 Meat Enlarged Elevations

Produce Elevations

14'-18' Ceiling
 P1.1 Produce Enlarged Elevations
 P1.2 Produce Enlarged Elevations
 P1.3 Produce Enlarged Elevations
 P1.4 Produce Enlarged Elevations
 P1.5 Produce Enlarged Elevations
 P1.6 Produce Enlarged Elevations
12' Ceiling
 P1.7 Produce Enlarged Elevations
 P1.8 Produce Enlarged Elevations

Component Details

D-101
 D-101-12
 D-102, D-310, D-311
 D-104A-H
 D-104A-H-12
 D-203
 D-203-12
 D-206, D-1001, D-1404
 D-301
 D-302, D-402, D-602
 D-303, D304A-D
 D-305
 D-306A-E
 D-308
 D-313A,C
 D-401, D-601A-B
 D-501-502-503
 D-603-604
 D-701
 D-703-704
 D-706
 D-901A-C
 D-1101-1103
 D-1301-1302
 D-1401-1403
 D-1402
 D-1405
 D-1405-12
 Aisle Directory
 Aisle Directory - 12' Ceiling
 Trim Details
 Slogan Banners
 Slogan Banners - 12' Ceiling
 Self Checkout Banner
 Self Checkout Banner - 12' Ceiling
 Customer Service Vinyls
 Produce Vinyls
 Vinyl Bands
 Produce Bracket Signs
 Produce Planking
 Produce Wall Crates
 Farm Silos
 Produce Graphic Boxes
 Vinyl Murals
 Butchers Choice Canopy
 Dairy Shelf
 Bakery/Deli Mural
 Bakery/Deli Lettering
 Sushi Sign
 Frozen Food Signs
 Convenience Store Signs
 Value Aisle Signs
 Entrance/Exit Lettering
 Customer Service Banner
 Welcome Banner
 Welcome Banner - 12' Ceiling

DeCA Decor 2009

Title Sheet

G1.1



Defense
Commissary
Agency
Lackland AFB, Texas
Fort Lee, Virginia

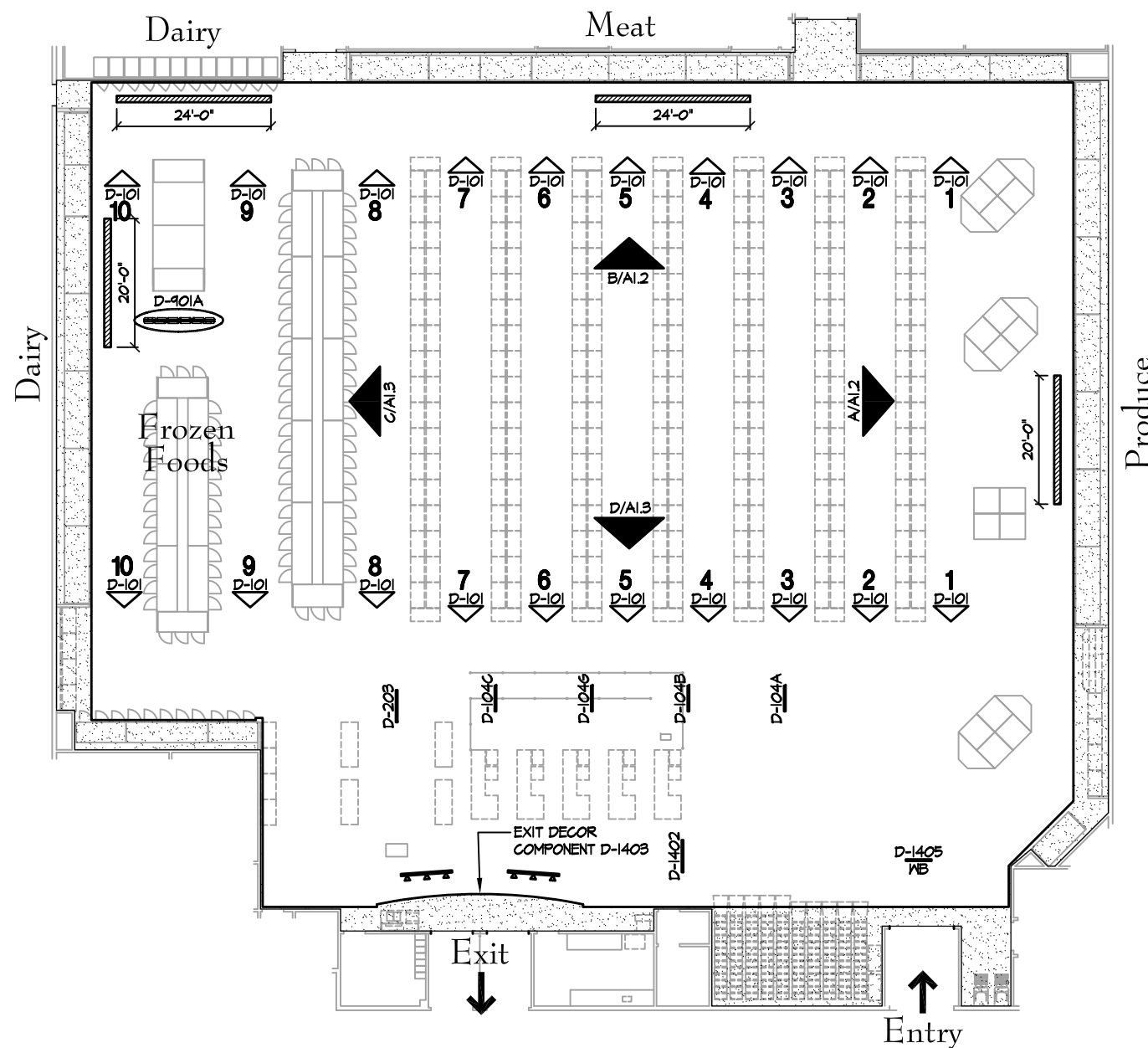
© COPYRIGHT 2009
THIS DOCUMENT IS THE PROPERTY OF THE DEFENSE COMMISSARY AGENCY AND NO PART HEREIN SHALL BE USED WITHOUT THE CONSENT OF THE DEFENSE COMMISSARY AGENCY

DATE:	SOLICITATION ISSUE: 2-25-09
DATE:	CRITERIA ISSUE: 5-28-09
DATE:	
DATE:	

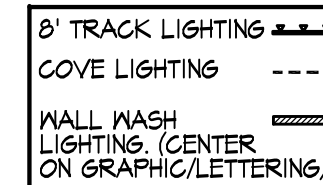
DeCA
Decor
2009

Component
Placement
Plan

A1.1



DESIGNER NOTE:
DIMENSIONALLY LOCATE DECOR ELEMENTS, BANNERS AND AISLE DIRECTORIES TO FIT SIZE OF ACTUAL STORE FOOTPRINT



Decor Placement Plan - Class I Store

Decor Components

Qty.	Item No.	Type / Color	Qty.	Banner No.	Type / Color	Qty.	Banner No.	Type / Color	Qty.	Banner No.	Type / Color
20	D-101	Aisle Directory	0	D-104E	Slogan - Green	0	D-706	Sushi	0	D-1301A	Value Aisle
1	D-104A	Slogan - Blue	0	D-104F	Slogan - Blue	1	D-901A	Frozen Foods	0	D-1302	Pricer
1	D-104B	Slogan - Green	1	D-104G	Slogan - Red	0	D-901B	Frozen Foods - Half Sign	1	D-1402	Customer Service
1	D-104C	Slogan - Blue	0	D-104H	Slogan - Red	0	D-1101A	Grab-N-Go	1	D-1405	Welcome
0	D-104D	Slogan - Green	1	D-203	Self Checkout - Red	0	D-1103	Grab-N-Go - T Bracket			



Defense
Commissary
Agency
Lackland AFB, Texas
Fort Lee, Virginia

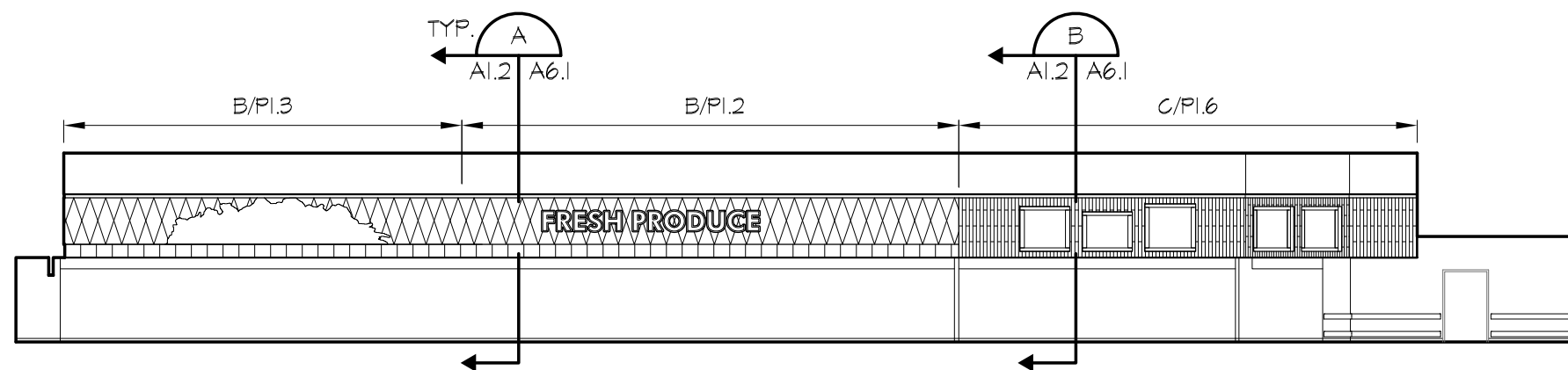
© COPYRIGHT 2009
THIS DOCUMENT IS THE PROPERTY OF THE DEFENSE
COMMISSARY AGENCY AND NO PART HEREIN SHALL BE
USED WITHOUT THE CONSENT OF THE DEFENSE
COMMISSARY AGENCY

DATE:	SOLICITATION ISSUE: 2-25-09
DATE:	CRITERIA ISSUE: 5-28-09
DATE:	
DATE:	

DeCA
Decor
2009

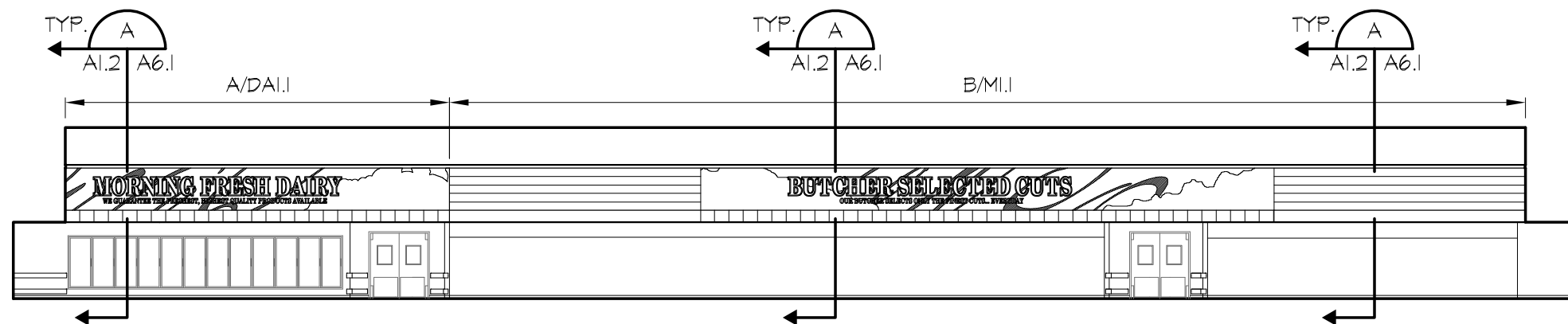
Overall
Interior
Elevations

A1.2



A PRODUCE ELEVATION
A1.1 | A1.2

1/16"=1'-0"



B DAIRY AND MEAT ELEVATION
A1.1 | A1.2

1/16"=1'-0"



Defense
Commissary
Agency
Lackland AFB, Texas
Fort Lee, Virginia

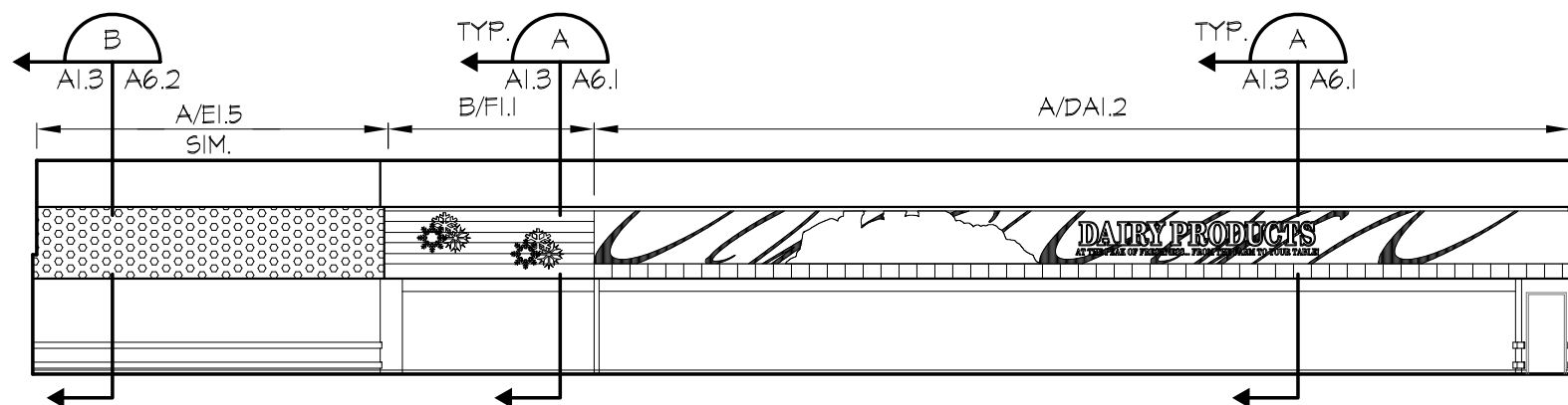
© COPYRIGHT 2009
THIS DOCUMENT IS THE PROPERTY OF THE DEFENSE
COMMISSARY AGENCY AND NO PART HEREIN SHALL BE
USED WITHOUT THE CONSENT OF THE DEFENSE
COMMISSARY AGENCY

DATE: SOLICITATION ISSUE: 2-25-09
DATE: CRITERIA ISSUE: 5-28-09
DATE:
DATE:

DeCA
Decor
2009

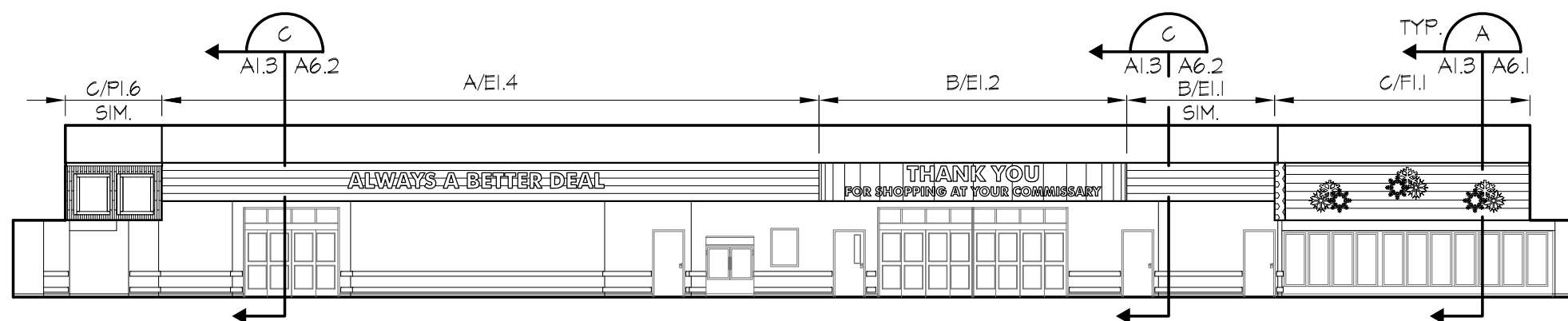
Overall
Interior
Elevations

A1.3



DAIRY ELEVATION

1/16"=1'-0"



ENTRANCE/EXIT ELEVATION

1/16"=1'-0"



Defense
Commissary
Agency
Lackland AFB, Texas
Fort Lee, Virginia

© COPYRIGHT 2009
THIS DOCUMENT IS THE PROPERTY OF THE DEFENSE
COMMISSARY AGENCY AND NO PART HEREIN SHALL BE
USED WITHOUT THE CONSENT OF THE DEFENSE
COMMISSARY AGENCY

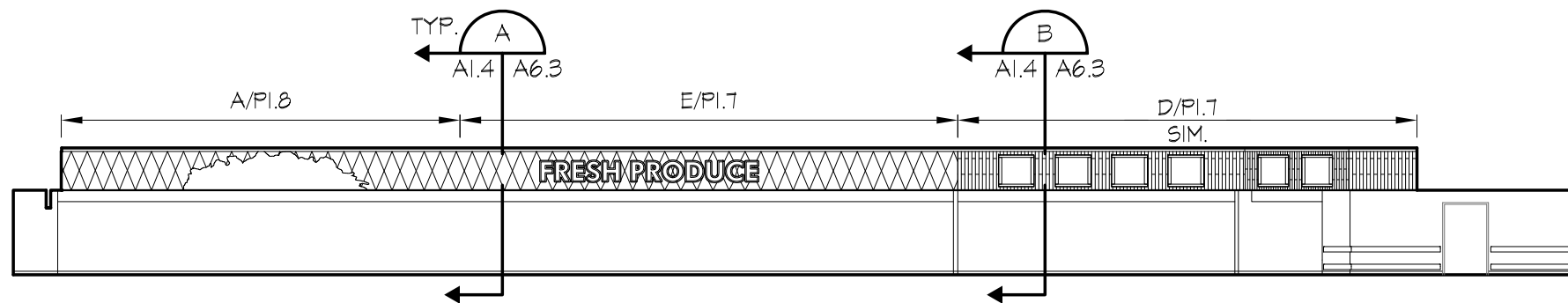
DATE:	SOLICITATION ISSUE: 2-25-09
DATE:	CRITERIA ISSUE: 5-28-09
DATE:	
DATE:	

DeCA
Decor
2009

12' Ceiling

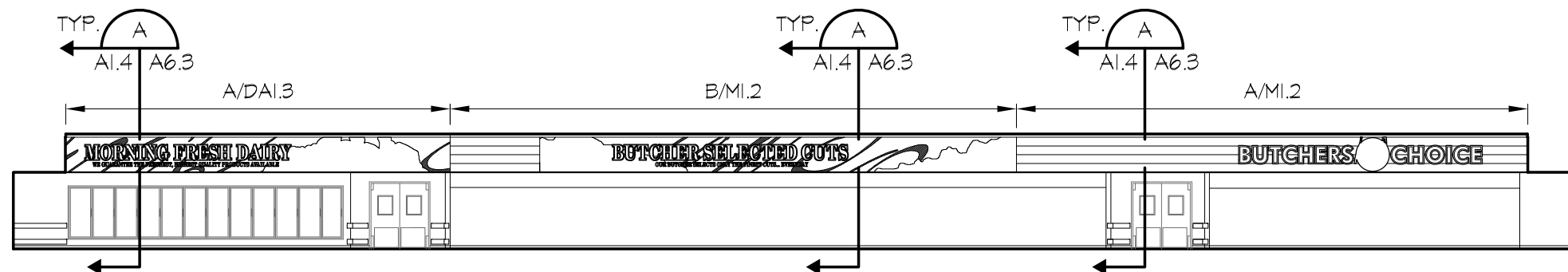
Overall
Interior
Elevations

A1.4



PRODUCE ELEVATION

1/16"=1'-0"



DAIRY AND MEAT ELEVATION

1/16"=1'-0"



Defense
Commissary
Agency
Lackland AFB, Texas
Fort Lee, Virginia

© COPYRIGHT 2009
THIS DOCUMENT IS THE PROPERTY OF THE DEFENSE
COMMISSARY AGENCY AND NO PART HEREIN SHALL BE
USED WITHOUT THE CONSENT OF THE DEFENSE
COMMISSARY AGENCY

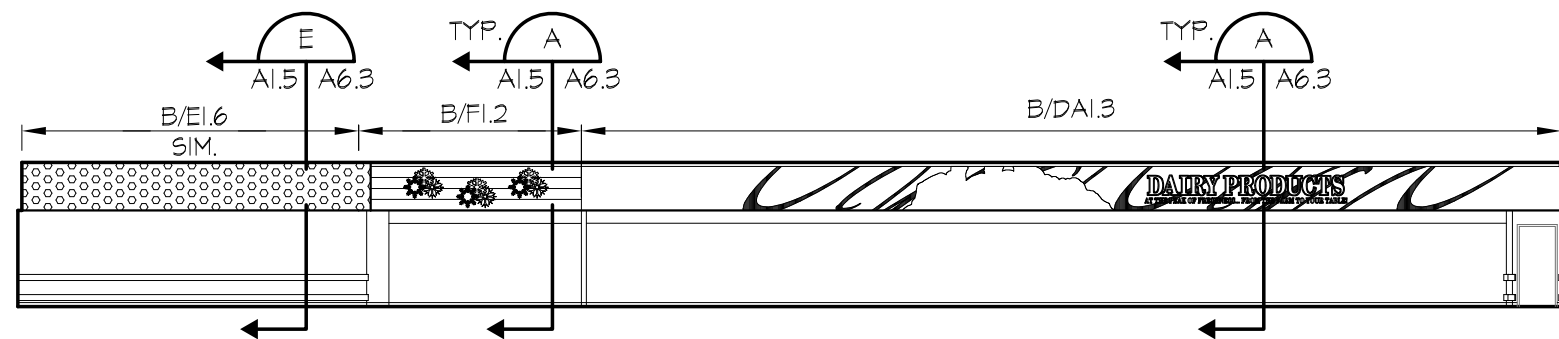
DATE:	SOLICITATION ISSUE: 2-25-09
DATE:	CRITERIA ISSUE: 5-28-09
DATE:	
DATE:	

DeCA
Decor
2009

12' Ceiling

Overall
Interior
Elevations

A1.5



PRODUCE ELEVATION

1/16"=1'-0"



DAIRY AND MEAT ELEVATION

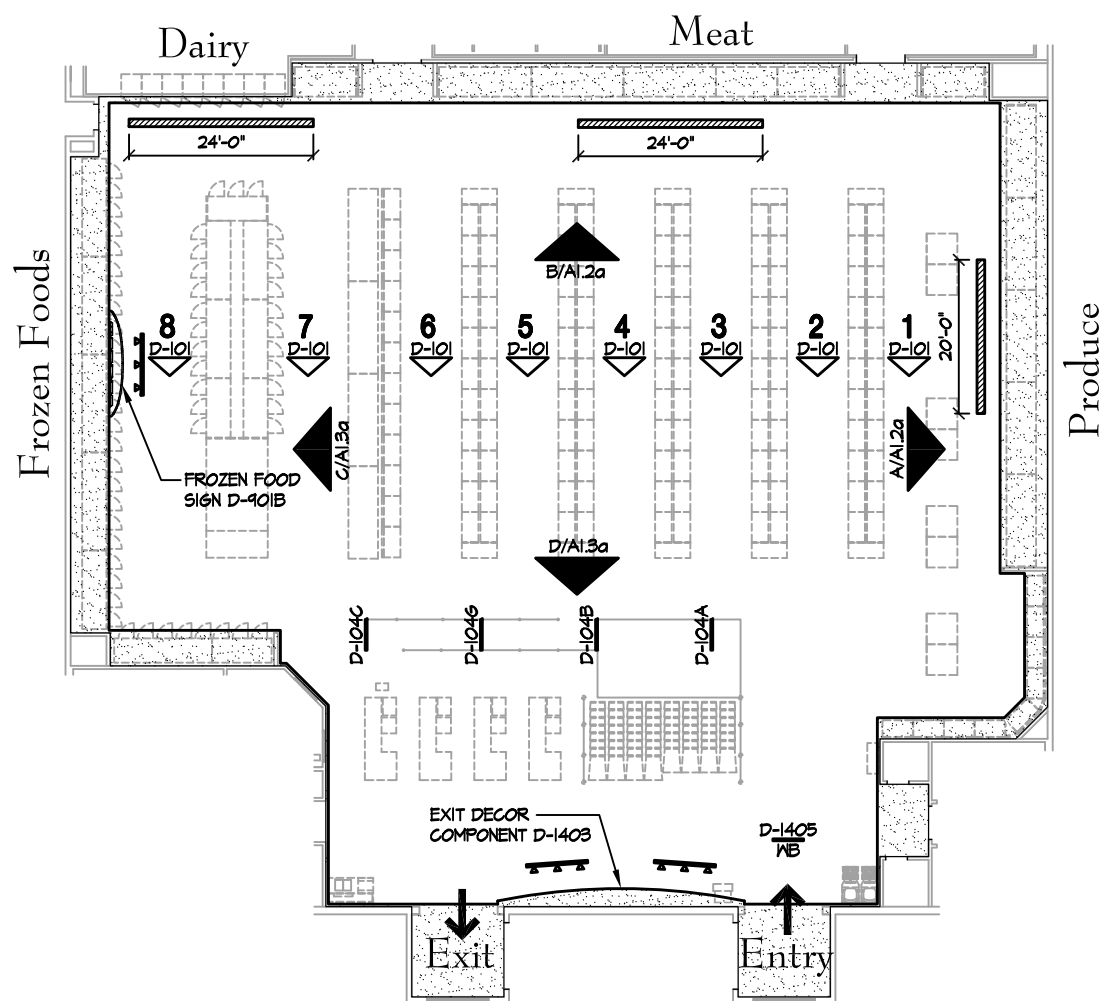
1/16"=1'-0"



Defense
Commissary
Agency
Lackland AFB, Texas
Fort Lee, Virginia

© COPYRIGHT 2009
THIS DOCUMENT IS THE PROPERTY OF THE DEFENSE
COMMISSARY AGENCY AND NO PART HEREIN SHALL BE
USED WITHOUT THE CONSENT OF THE DEFENSE
COMMISSARY AGENCY

DATE:	SOLICITATION ISSUE: 2-25-09
DATE:	CRITERIA ISSUE: 5-28-09
DATE:	
DATE:	



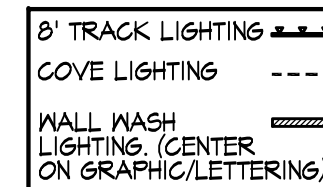
DeCA
Decor
2009

Decor Placement Plan - Class IA Store

Decor Components

Qty.	Item No.	Type / Color	Qty.	Banner No.	Type / Color	Qty.	Banner No.	Type / Color	Qty.	Banner No.	Type / Color
8	D-101	Aisle Directory	0	D-104E	Slogan - Green	0	D-706	Sushi	0	D-1301A	Value Aisle
1	D-104A	Slogan - Blue	0	D-104F	Slogan - Blue	0	D-901A	Frozen Foods	0	D-1302	Pricer
1	D-104B	Slogan - Green	1	D-104G	Slogan - Red	1	D-901B	Frozen Foods - Half Sign	0	D-1402	Customer Service
1	D-104C	Slogan - Blue	0	D-104H	Slogan - Red	0	D-1101A	Grab-N-Go	1	D-1405	Welcome
0	D-104D	Slogan - Green	0	D-203	Self Checkout - Red	0	D-1103	Grab-N-Go - T Bracket			

DESIGNER NOTE:
DIMENSIONALLY LOCATE DECOR ELEMENTS, BANNERS AND
AISLE DIRECTORIES TO FIT SIZE OF ACTUAL STORE FOOTPRINT



Component
Placement
Plan

A1.1a



Defense
Commissary
Agency
Lackland AFB, Texas
Fort Lee, Virginia

© COPYRIGHT 2009

THIS DOCUMENT IS THE PROPERTY OF THE DEFENSE
COMMISSARY AGENCY AND NO PART HEREIN SHALL BE
USED WITHOUT THE CONSENT OF THE DEFENSE
COMMISSARY AGENCY

DATE: SOLICITATION ISSUE: 2-25-09

DATE: CRITERIA ISSUE: 5-28-09

DATE:

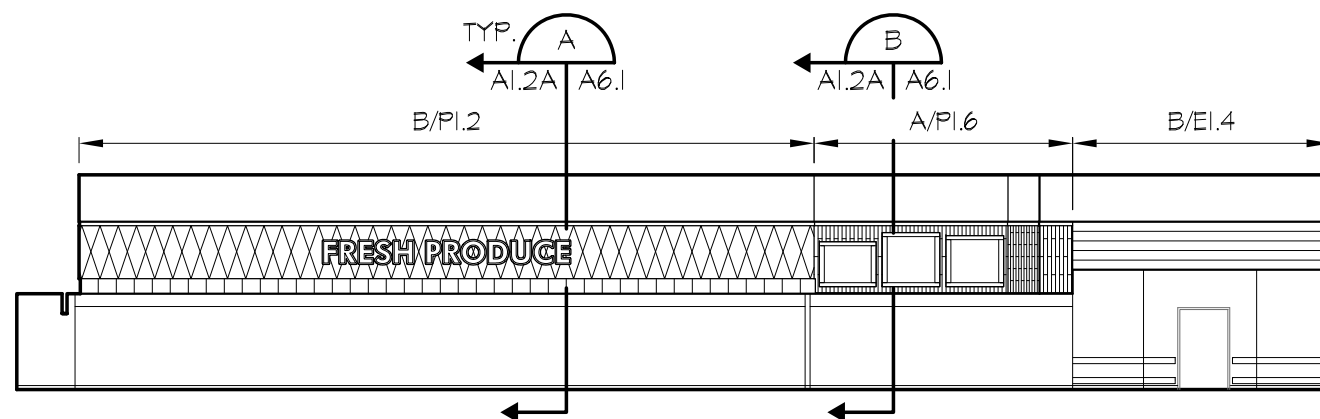
DATE:

DATE:

DeCA
Decor
2009

Overall
Interior
Elevations

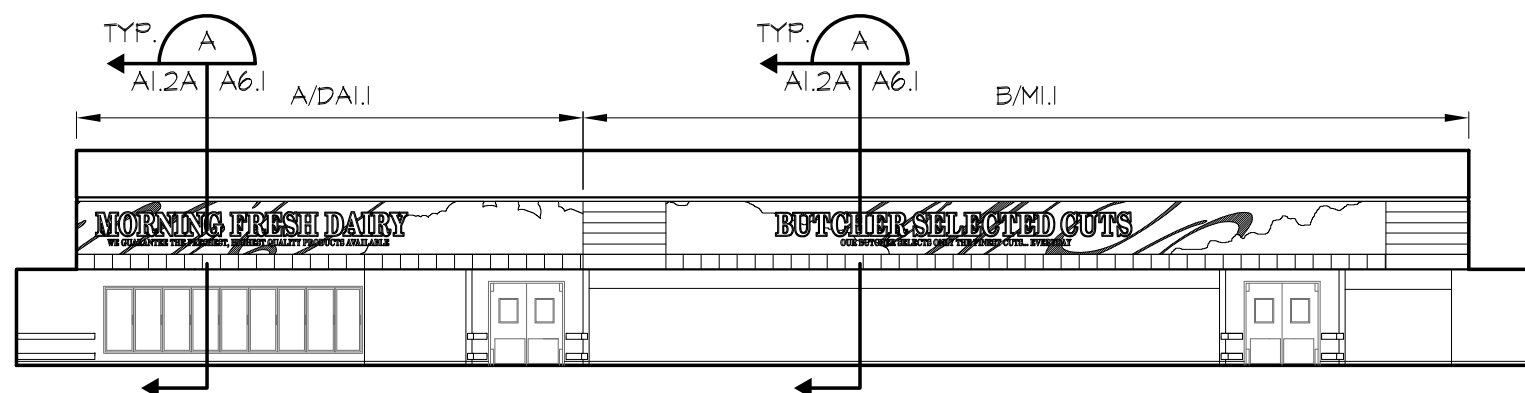
A1.2a



PRODUCE ELEVATION

A
A1.1a | A1.2a

1/16"=1'-0"



DAIRY AND MEAT ELEVATION

B
A1.1a | A1.2a

1/16"=1'-0"



Defense
Commissary
Agency
Lackland AFB, Texas
Fort Lee, Virginia

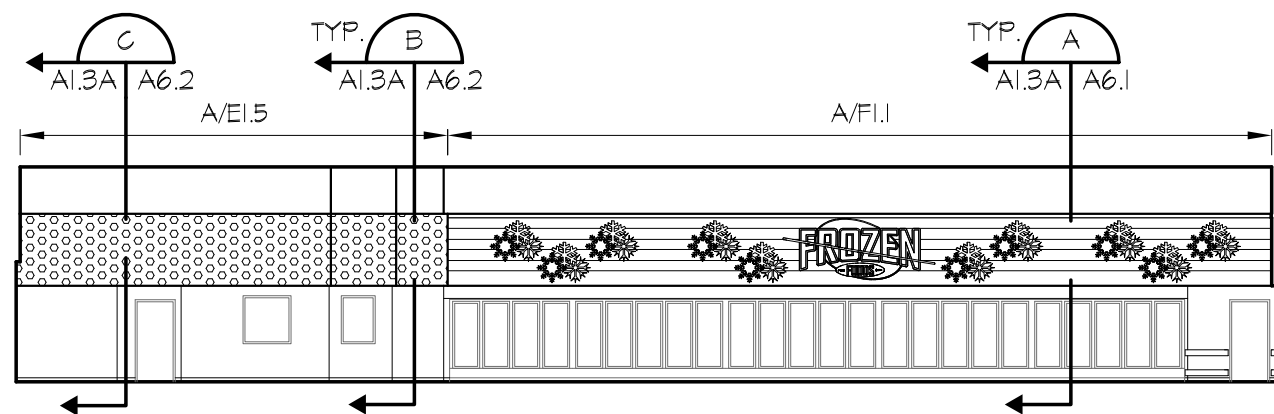
© COPYRIGHT 2009
THIS DOCUMENT IS THE PROPERTY OF THE DEFENSE
COMMISSARY AGENCY AND NO PART HEREIN SHALL BE
USED WITHOUT THE CONSENT OF THE DEFENSE
COMMISSARY AGENCY

DATE:	SOLICITATION ISSUE: 2-25-09
DATE:	CRITERIA ISSUE: 5-28-09
DATE:	
DATE:	

DeCA
Decor
2009

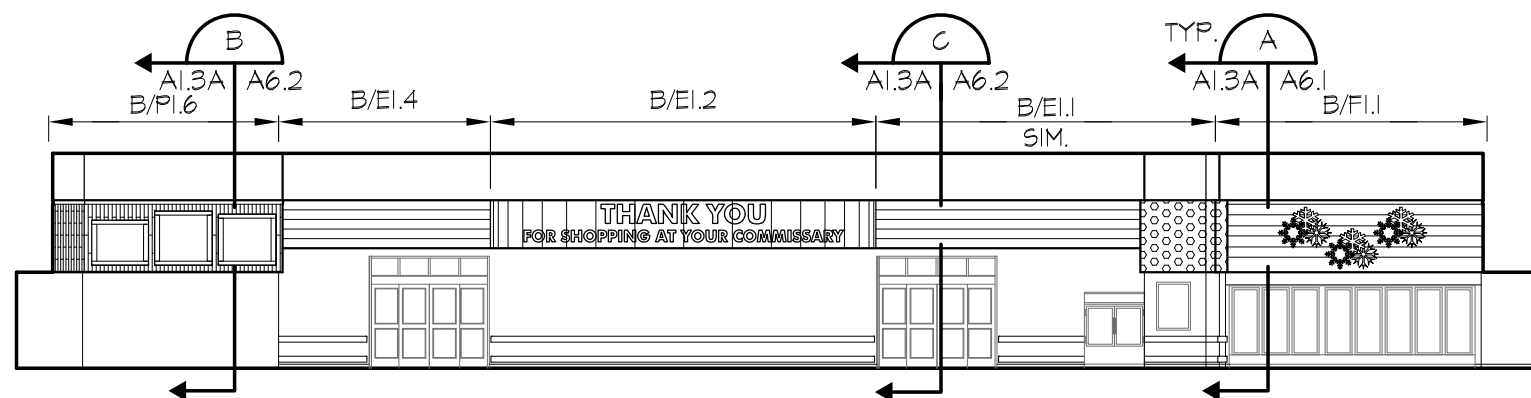
Overall
Interior
Elevations

A1.3a



FROZEN ELEVATION

1/16"=1'-0"



ENTRY AND EXIT ELEVATION

1/16"=1'-0"



Defense
Commissary
Agency
Lackland AFB, Texas
Fort Lee, Virginia

© COPYRIGHT 2009

THIS DOCUMENT IS THE PROPERTY OF THE DEFENSE
COMMISSARY AGENCY AND NO PART HEREIN SHALL BE
USED WITHOUT THE CONSENT OF THE DEFENSE
COMMISSARY AGENCY

DATE: SOLICITATION ISSUE: 2-25-09

DATE: CRITERIA ISSUE: 5-28-09

DATE:

DATE:

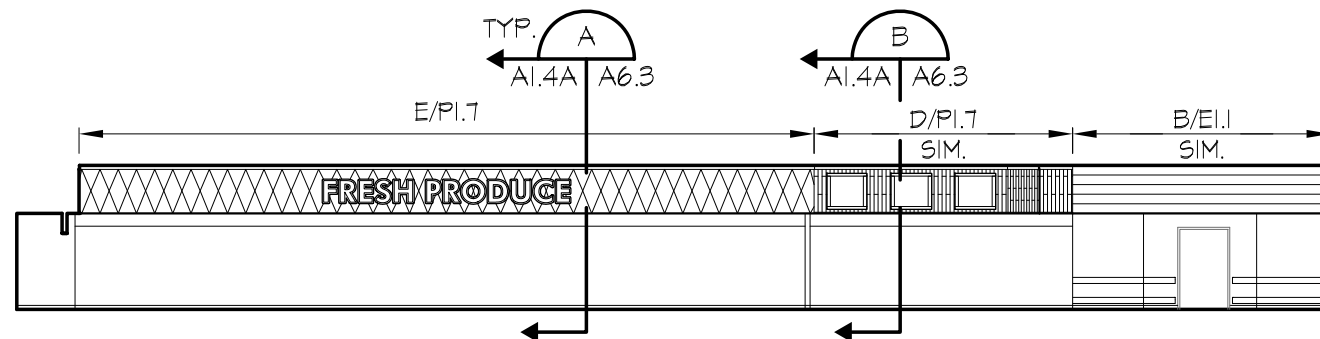
DATE:

DeCA
Decor
2009

12' Ceiling

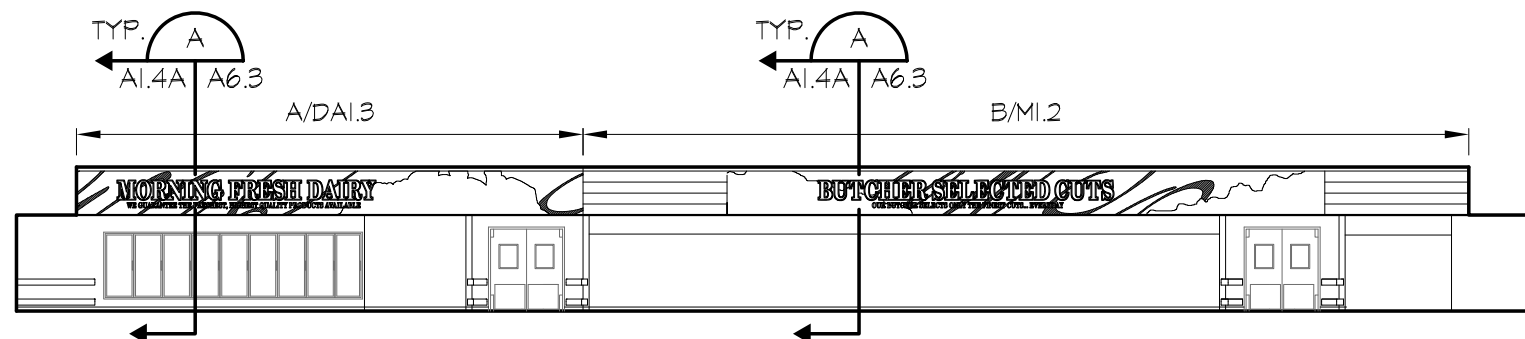
Overall
Interior
Elevations

A1.4a



A PRODUCE ELEVATION
A1.4a | A1.4a

1/16"=1'-0"



B DAIRY AND MEAT ELEVATION
A1.4a | A1.4a

1/16"=1'-0"



Defense
Commissary
Agency
Lackland AFB, Texas
Fort Lee, Virginia

© COPYRIGHT 2009

THIS DOCUMENT IS THE PROPERTY OF THE DEFENSE
COMMISSARY AGENCY AND NO PART HEREIN SHALL BE
USED WITHOUT THE CONSENT OF THE DEFENSE
COMMISSARY AGENCY

DATE: SOLICITATION ISSUE: 2-25-09

DATE: CRITERIA ISSUE: 5-28-09

DATE:

DATE:

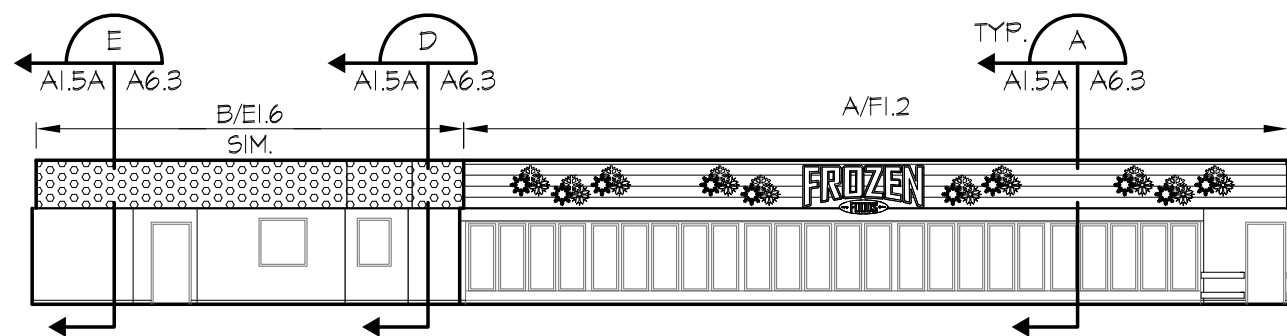
DATE:

DeCA
Decor
2009

12' Ceiling

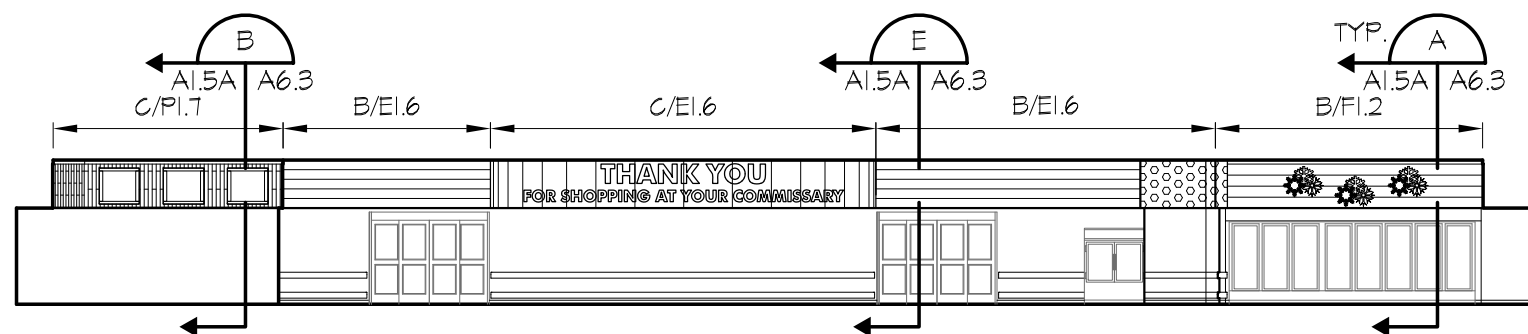
Overall
Interior
Elevations

A1.5a



 **ADMIN. AND FROZEN ELEVATION**
A1.1a | A1.5a

1/16"=1'-0"



 **ENTRY AND EXIT ELEVATION**
A1.1a | A1.5a

1/16"=1'-0"



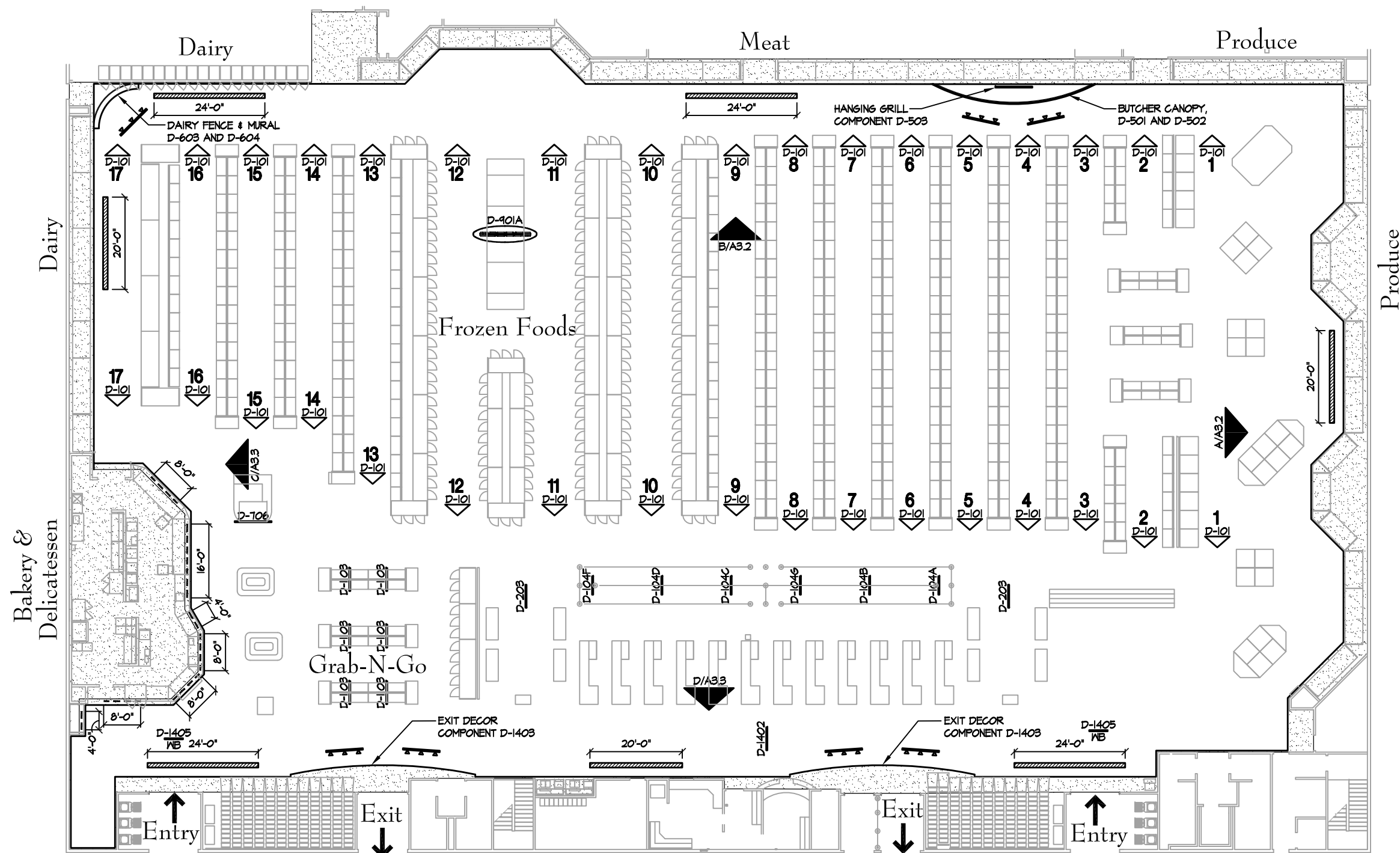
Defense
Commissary
Agency
Lackland AFB, Texas
Fort Lee, Virginia

© COPYRIGHT 2009
THIS DOCUMENT IS THE PROPERTY OF THE DEFENSE
COMMISSARY AGENCY AND NO PART HEREIN SHALL BE
USED WITHOUT THE CONSENT OF THE DEFENSE
COMMISSARY AGENCY
DATE: SOLICITATION ISSUE: 2-25-09
DATE: CRITERIA ISSUE: 5-28-09
DATE:
DATE:

DeCA
Decor
2009

Component
Placement
Plan

A3.1



Decor Placement Plan - Class III Store

Decor Components

Qty.	Item No.	Type / Color	Qty.	Banner No.	Type / Color	Qty.	Banner No.	Type / Color	Qty.	Banner No.	Type / Color
34	D-101	Aisle Directory	0	D-104E	Slogan - Green	1	D-706	Sushi	0	D-1301A	Value Aisle
1	D-104A	Slogan - Blue	1	D-104F	Slogan - Blue	1	D-901A	Frozen Foods	0	D-1302	Pricer
1	D-104B	Slogan - Green	1	D-104G	Slogan - Red	0	D-901B	Frozen Foods - Half Sign	1	D-1402	Customer Service
1	D-104C	Slogan - Blue	0	D-104H	Slogan - Red	0	D-1101A	Grab-N-Go	2	D-1405	Welcome
1	D-104D	Slogan - Green	2	D-203	Self Checkout - Red	6	D-1103	Grab-N-Go - T Bracket			

DESIGNER NOTE:
DIMENSIONALLY LOCATE DECOR ELEMENTS, BANNERS AND
AISLE DIRECTORIES TO FIT SIZE OF ACTUAL STORE FOOTPRINT

8' TRACK LIGHTING ———
COVE LIGHTING - - - -
WALL WASH
LIGHTING (CENTER
ON GRAPHIC/LETTERING) ▨



Defense
Commissary
Agency
Lackland AFB, Texas
Fort Lee, Virginia

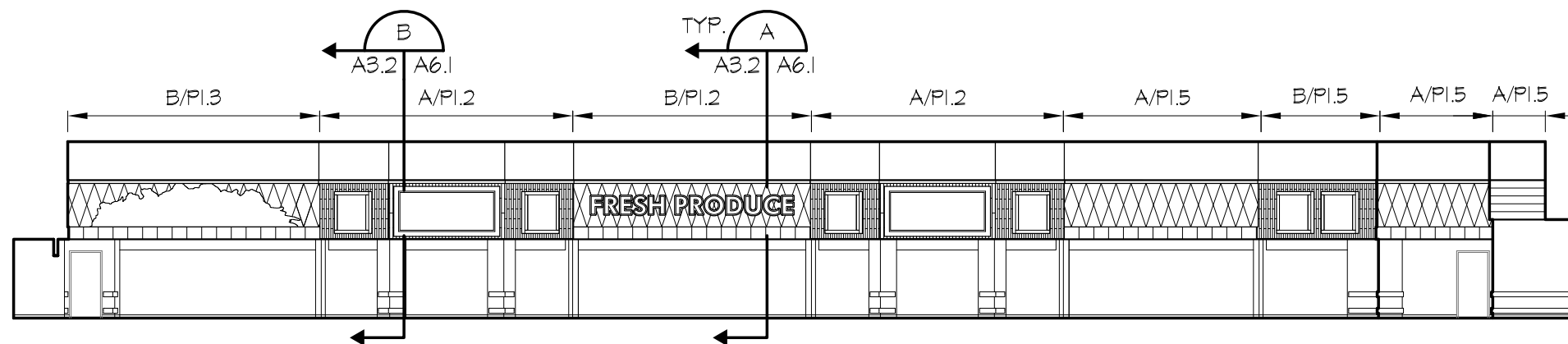
© COPYRIGHT 2009
THIS DOCUMENT IS THE PROPERTY OF THE DEFENSE
COMMISSARY AGENCY AND NO PART HEREIN SHALL BE
USED WITHOUT THE CONSENT OF THE DEFENSE
COMMISSARY AGENCY

DATE:	SOLICITATION ISSUE: 2-25-09
DATE:	CRITERIA ISSUE: 5-28-09
DATE:	
DATE:	

DeCA
Decor
2009

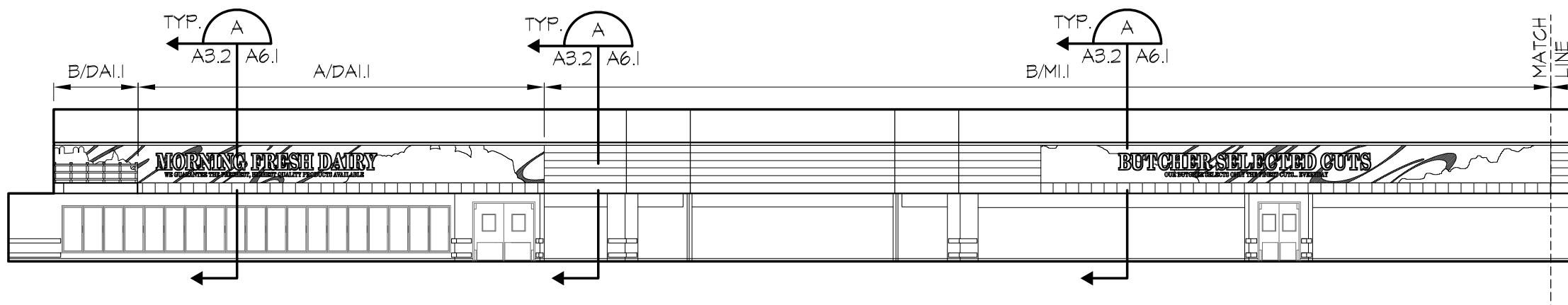
Overall
Interior
Elevations

A3.2



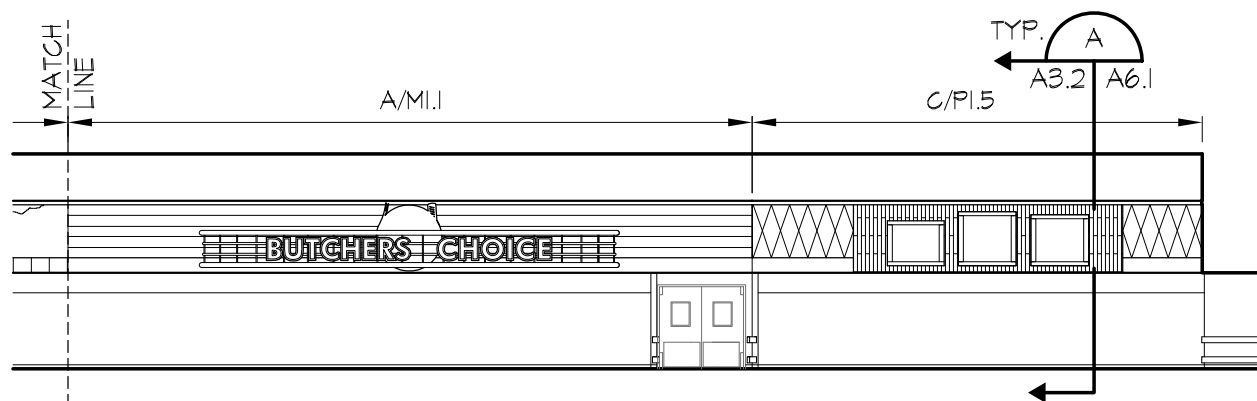
PRODUCE ELEVATION

1/16"=1'-0"



DAIRY, MEAT, AND PRODUCE ELEVATION

1/16"=1'-0"



- ELEVATION CONTINUED

1/16"=1'-0"



Defense
Commissary
Agency
Lackland AFB, Texas
Fort Lee, Virginia

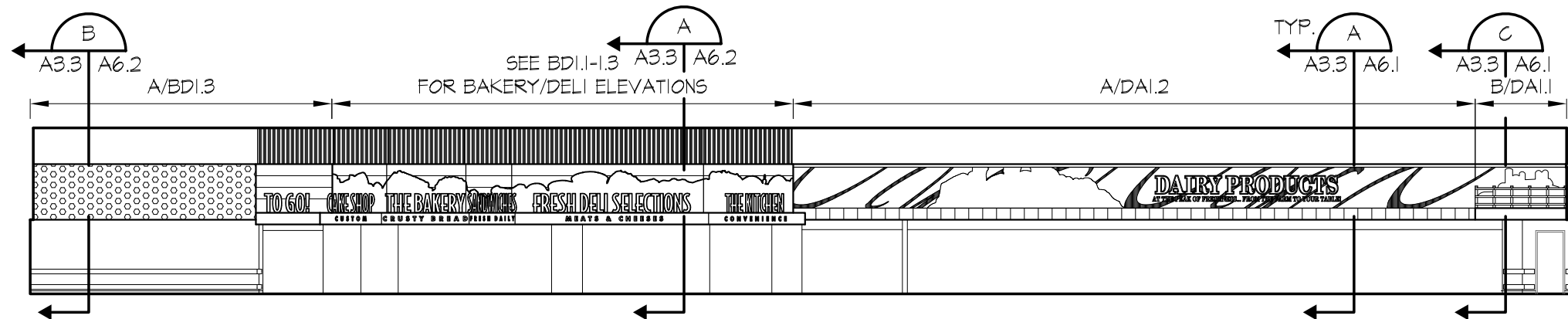
© COPYRIGHT 2009
THIS DOCUMENT IS THE PROPERTY OF THE DEFENSE
COMMISSARY AGENCY AND NO PART HEREIN SHALL BE
USED WITHOUT THE CONSENT OF THE DEFENSE
COMMISSARY AGENCY

DATE:	SOLICITATION ISSUE: 2-25-09
DATE:	CRITERIA ISSUE: 5-28-09
DATE:	
DATE:	

DeCA
Decor
2009

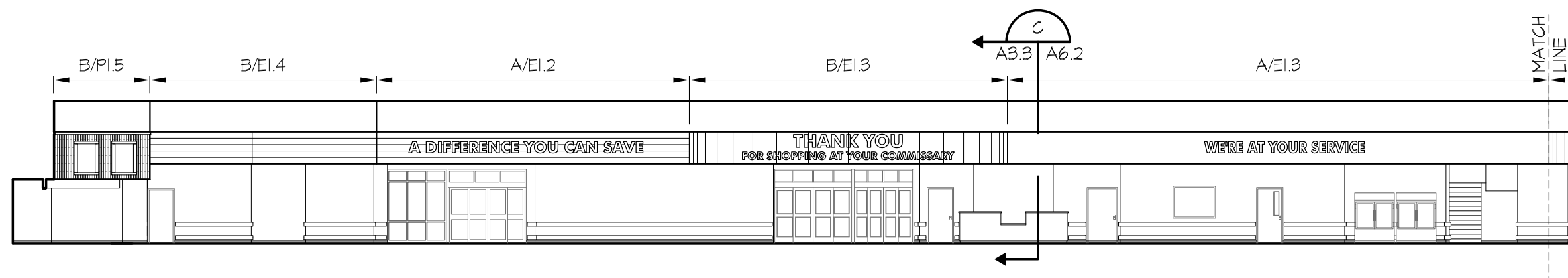
Overall
Interior
Elevations

A3.3



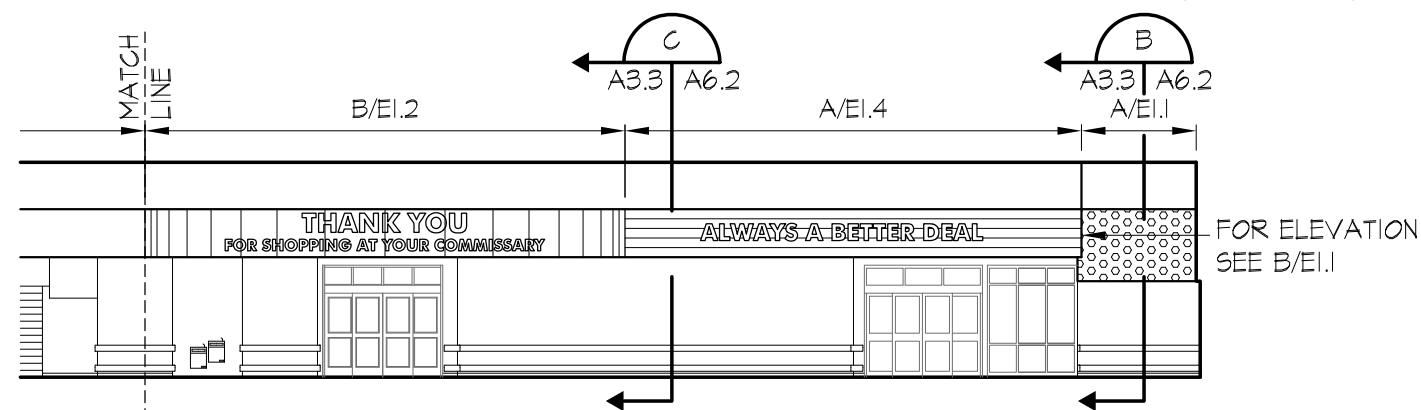
BAKERY DELI AND DAIRY ELEVATION

A3.3 | A3.3 1/16"=1'-0"



EXIT AND ENTRY ELEVATION

A3.3 | A3.3 1/16"=1'-0"



- ELEVATION CONTINUED

A3.3 | A3.3 1/16"=1'-0"



Defense
Commissary
Agency
Lackland AFB, Texas
Fort Lee, Virginia

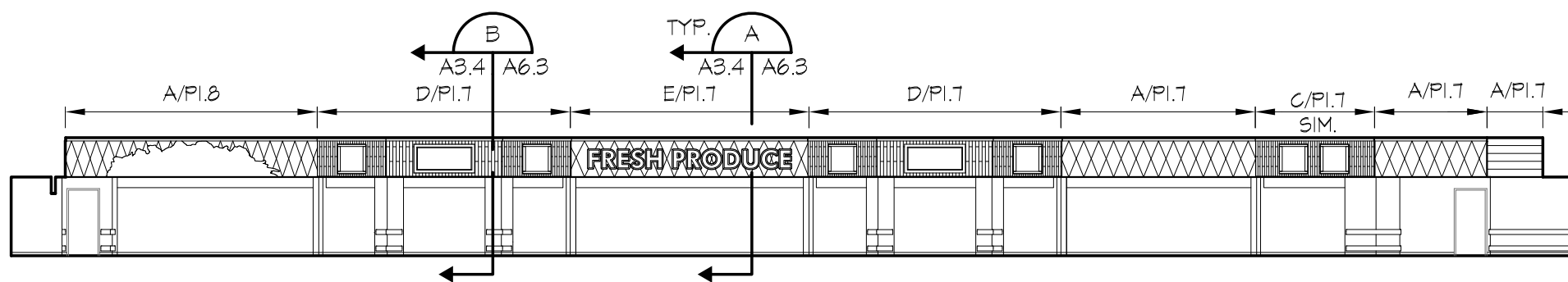
© COPYRIGHT 2009
THIS DOCUMENT IS THE PROPERTY OF THE DEFENSE
COMMISSARY AGENCY AND NO PART HEREIN SHALL BE
USED WITHOUT THE CONSENT OF THE DEFENSE
COMMISSARY AGENCY
DATE: SOLICITATION ISSUE: 2-25-09
DATE: CRITERIA ISSUE: 5-28-09
DATE:

DeCA
Decor
2009

12' Ceiling

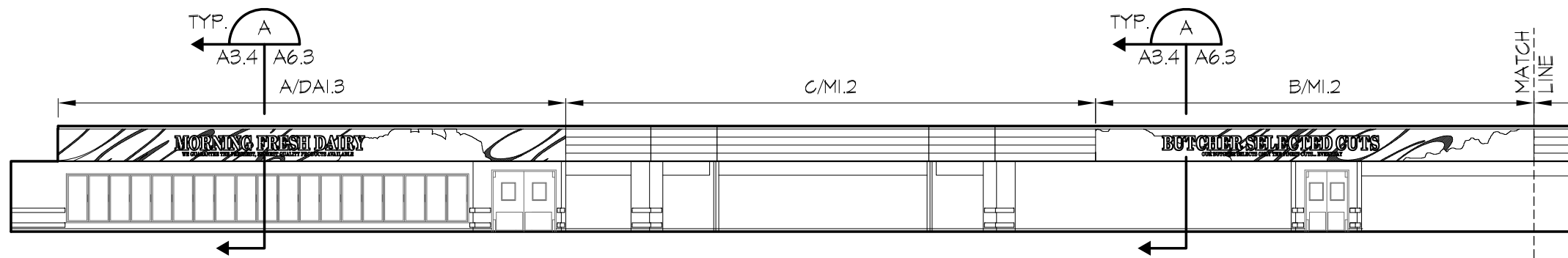
Overall
Interior
Elevations

A3.4



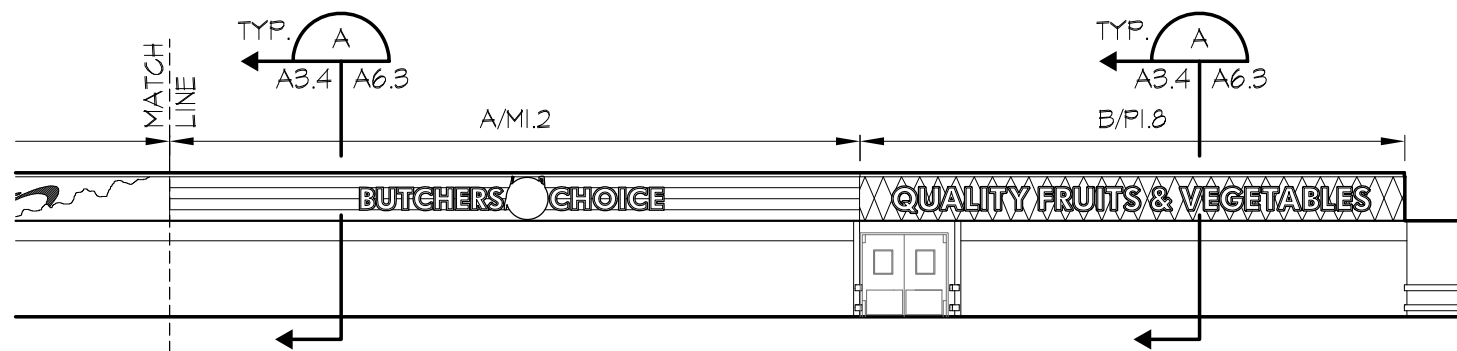
A
A3.1 | A3.4
PRODUCE ELEVATION

1/16"=1'-0"



B
A3.1 | A3.4
DAIRY, MEAT, AND PRODUCE ELEVATION

1/16"=1'-0"



B
A3.1 | A3.4
- ELEVATION CONTINUED

1/16"=1'-0"



Defense
Commissary
Agency
Lackland AFB, Texas
Fort Lee, Virginia

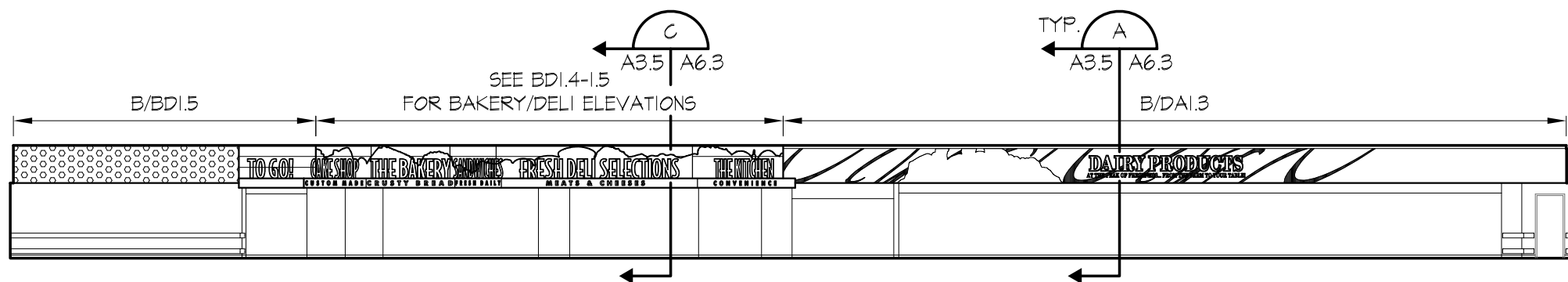
© COPYRIGHT 2009
THIS DOCUMENT IS THE PROPERTY OF THE DEFENSE
COMMISSARY AGENCY AND NO PART HEREIN SHALL BE
USED WITHOUT THE CONSENT OF THE DEFENSE
COMMISSARY AGENCY
DATE: SOLICITATION ISSUE: 2-25-09
DATE: CRITERIA ISSUE: 5-28-09
DATE:

DeCA
Decor
2009

12' Ceiling

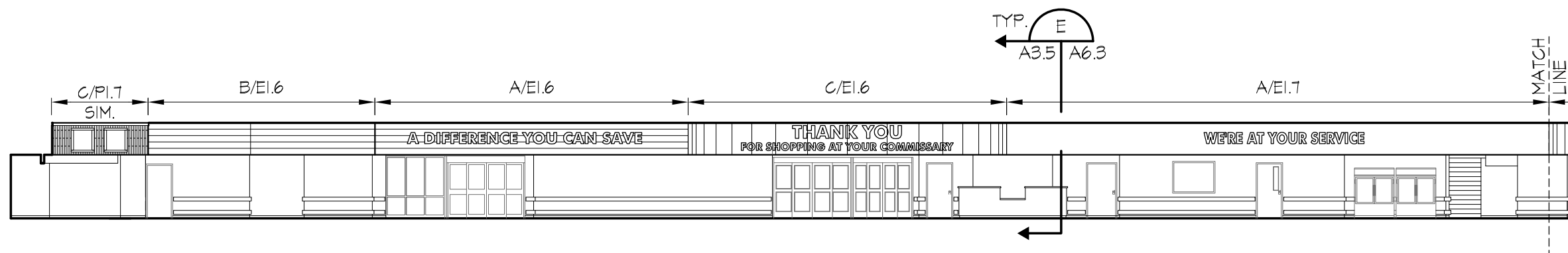
Overall
Interior
Elevations

A3.5



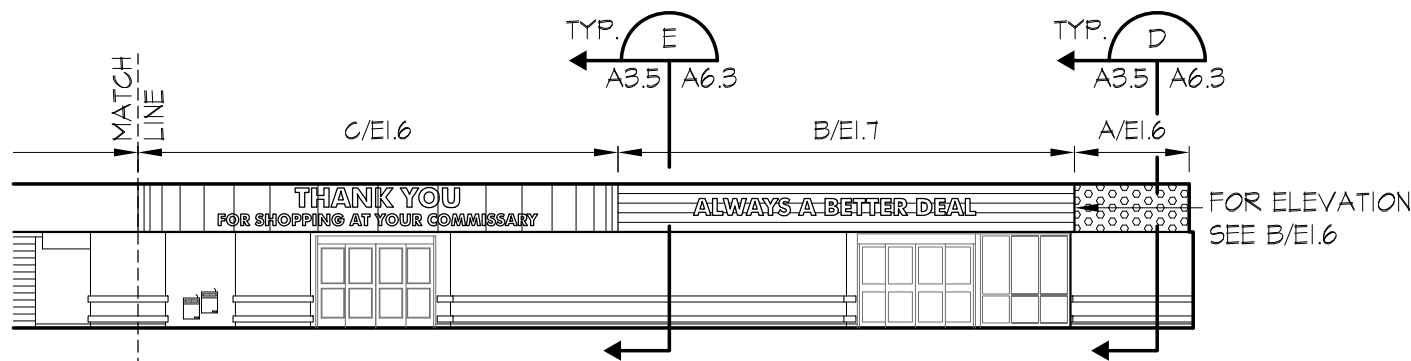
BAKERY DELI AND DAIRY ELEVATION

A3.1 | A3.5 1/16"=1'-0"



EXIT AND ENTRY ELEVATION

A3.1 | A3.5 1/16"=1'-0"



- ELEVATION CONTINUED

A3.1 | A3.5 1/16"=1'-0"



Defense Commissary Agency
Lackland AFB, Texas
Fort Lee, Virginia

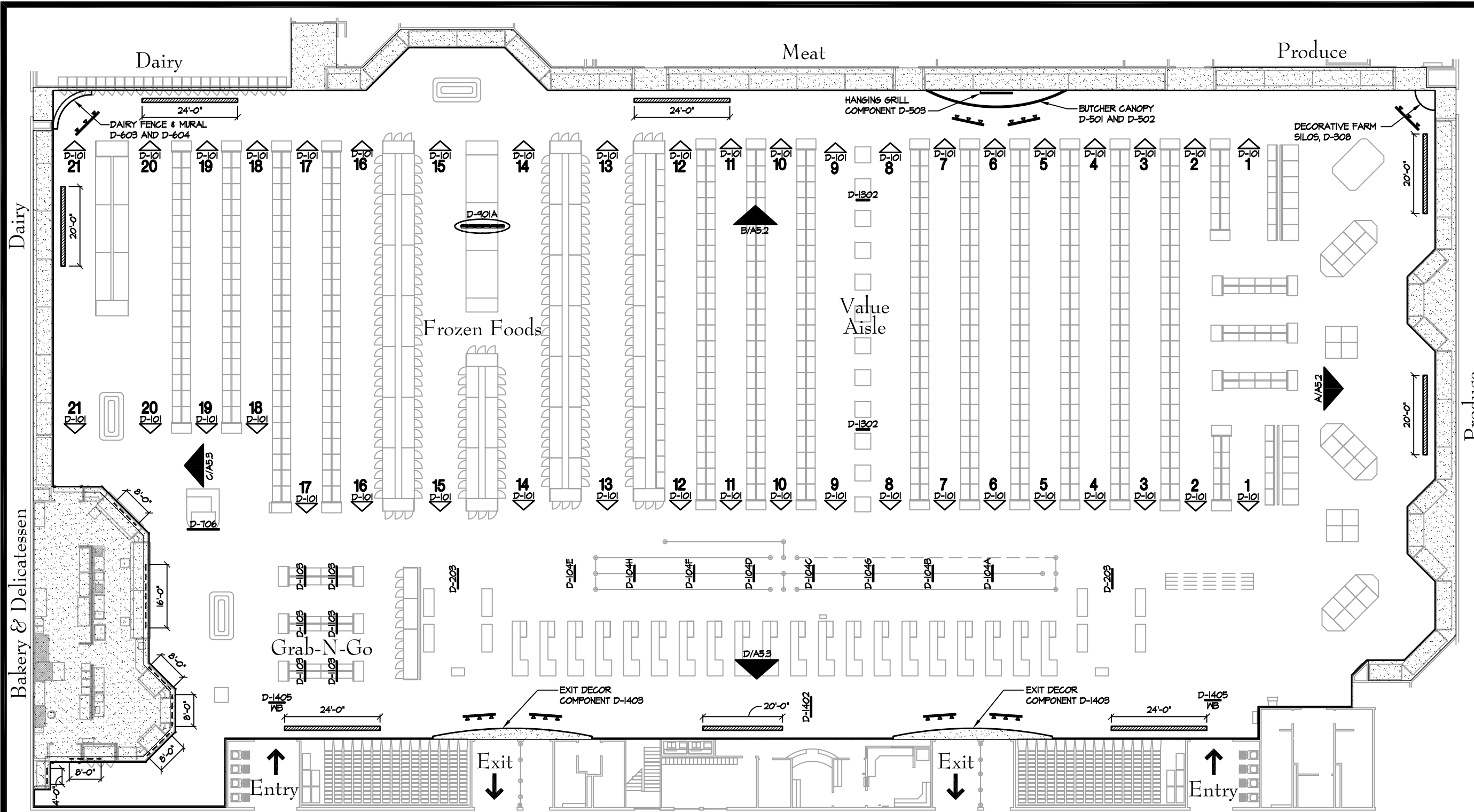
© COPYRIGHT 2009
THIS DOCUMENT IS THE PROPERTY OF THE DEFENSE COMMISSARY AGENCY AND NO PART HEREIN SHALL BE USED WITHOUT THE CONSENT OF THE DEFENSE COMMISSARY AGENCY

DATE: SOLICITATION ISSUE: 2-25-09
DATE: CRITERIA ISSUE: 5-28-09
DATE:
DATE:

DeCA
Decor
2009

Component
Placement
Plan

A5.1

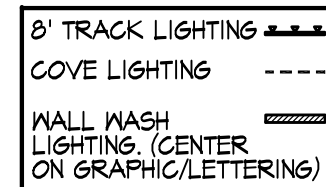


Decor Placement Plan - 110,000 sf - Class V Store

Decor Components

Qty.	Item No.	Type / Color	Qty.	Banner No.	Type / Color	Qty.	Banner No.	Type / Color	Qty.	Banner No.	Type / Color
42	D-101	Aisle Directory	1	D-104E	Slogan - Green	1	D-706	Sushi	0	D-1301	Value Aisle
1	D-104A	Slogan - Blue	1	D-104F	Slogan - Blue	1	D-901A	Frozen Foods	2	D-1302	Pricer
1	D-104B	Slogan - Green	1	D-104G	Slogan - Red	0	D-901B	Frozen Foods - Half Sign	1	D-1402	Customer Service
1	D-104C	Slogan - Blue	1	D-104H	Slogan - Red	0	D-1101A	Grab-N-Go	2	D-1405	Welcome
1	D-104D	Slogan - Green	2	D-203	Self Checkout - Red	6	D-1103	Grab-N-Go - T Bracket			

DESIGNER NOTE:
DIMENSIONALLY LOCATE DECOR ELEMENTS, BANNERS AND AISLE DIRECTORIES TO FIT SIZE OF ACTUAL STORE FOOTPRINT





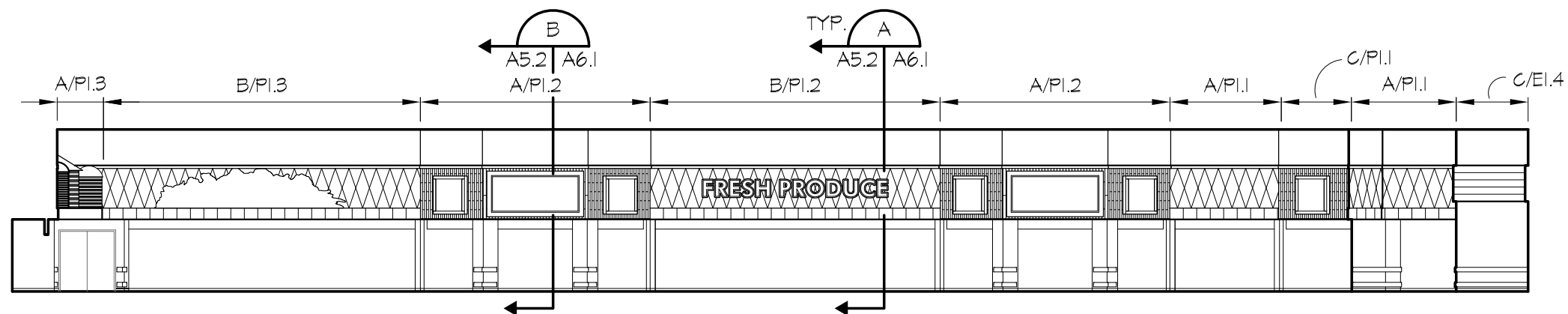
Defense
Commissary
Agency
Lackland AFB, Texas
Fort Lee, Virginia

© COPYRIGHT 2009
THIS DOCUMENT IS THE PROPERTY OF THE DEFENSE
COMMISSARY AGENCY AND NO PART HEREIN SHALL BE
USED WITHOUT THE CONSENT OF THE DEFENSE
COMMISSARY AGENCY
DATE: SOLICITATION ISSUE: 2-25-09
DATE: CRITERIA ISSUE: 5-28-09
DATE:
DATE:

DeCA
Decor
2009

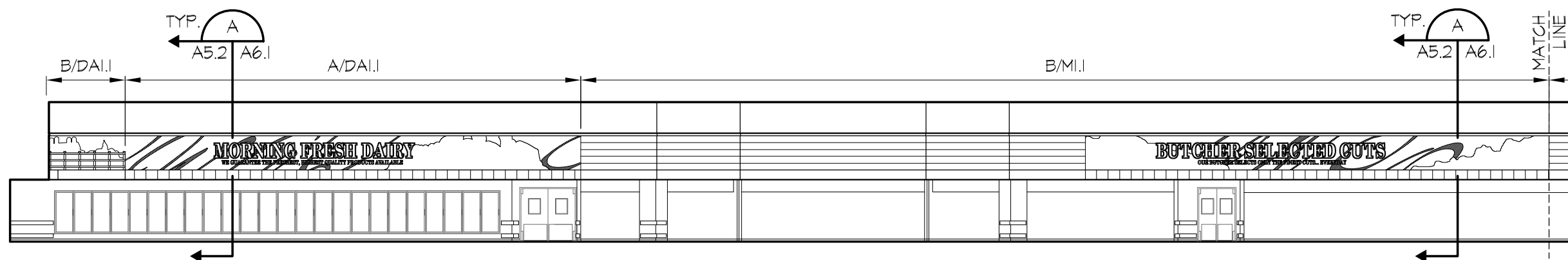
Overall
Interior
Elevations

A5.2



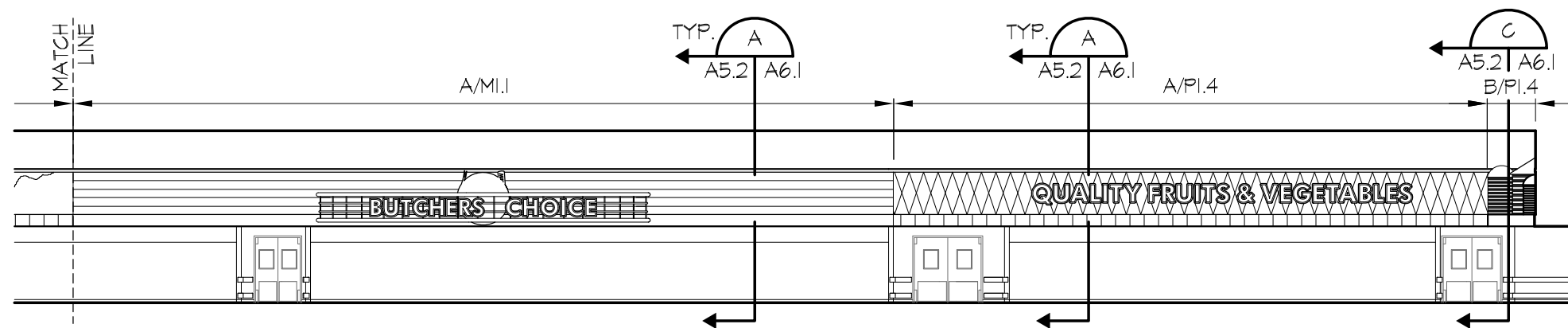
A PRODUCE ELEVATION
A5.1 | A5.2

1/16"=1'-0"



B DAIRY, MEAT, AND PRODUCE ELEVATION
A5.1 | A5.2

1/16"=1'-0"



B - ELEVATION CONTINUED
A5.1 | A5.2

1/16"=1'-0"



Defense
Commissary
Agency
Lackland AFB, Texas
Fort Lee, Virginia

© COPYRIGHT 2009

THIS DOCUMENT IS THE PROPERTY OF THE DEFENSE COMMISSARY AGENCY AND NO PART HEREIN SHALL BE USED WITHOUT THE CONSENT OF THE DEFENSE COMMISSARY AGENCY

DATE: SOLICITATION ISSUE: 2-25-09

DATE: CRITERIA ISSUE: 5-28-09

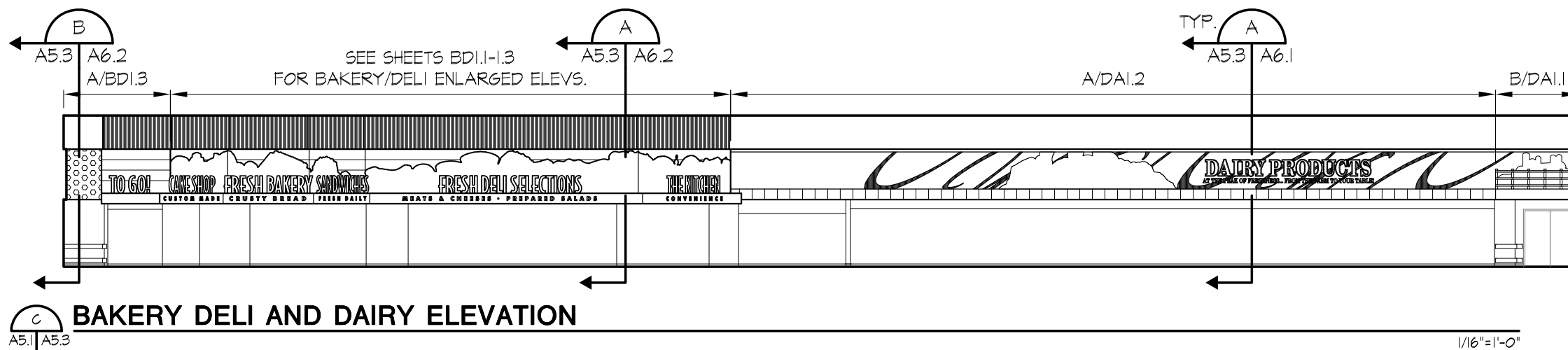
DATE:

DATE:

DeCA
Decor
2009

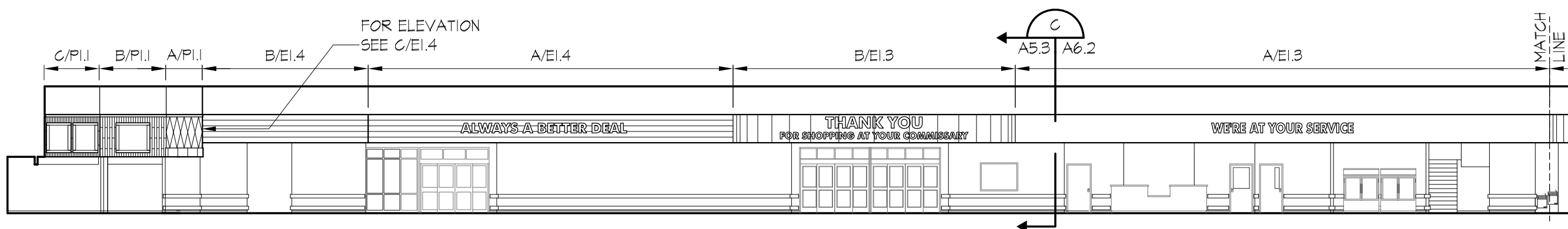
Overall
Interior
Elevations

A5.3



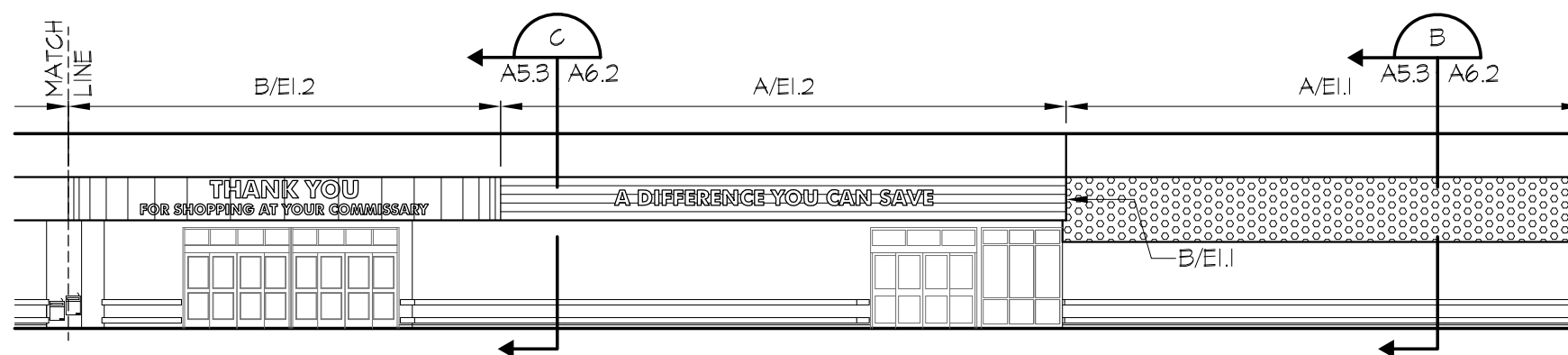
BAKERY DELI AND DAIRY ELEVATION

1/16"=1'-0"



EXIT AND ENTRY ELEVATION

1/16"=1'-0"



- ELEVATION CONTINUED

1/16"=1'-0"



Defense
Commissary
Agency
Lackland AFB, Texas
Fort Lee, Virginia

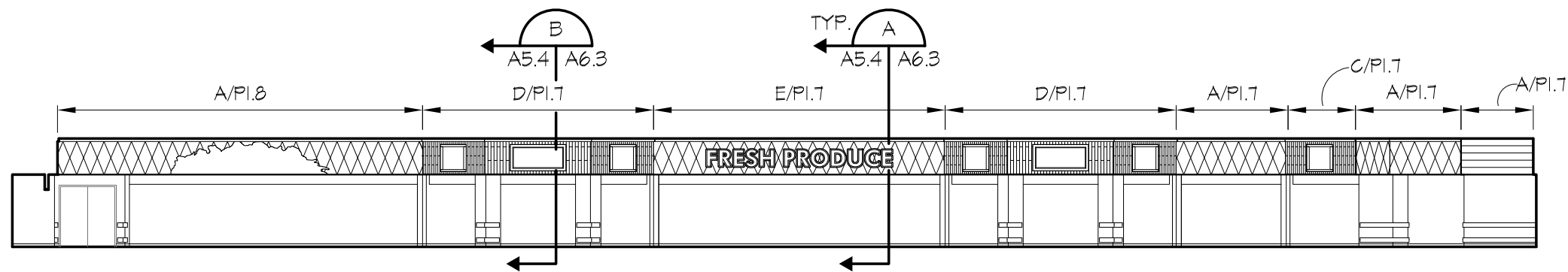
© COPYRIGHT 2009
THIS DOCUMENT IS THE PROPERTY OF THE DEFENSE
COMMISSARY AGENCY AND NO PART HEREIN SHALL BE
USED WITHOUT THE CONSENT OF THE DEFENSE
COMMISSARY AGENCY
DATE: SOLICITATION ISSUE: 2-25-09
DATE: CRITERIA ISSUE: 5-28-09
DATE:
DATE:

DeCA
Decor
2009

12' Ceiling

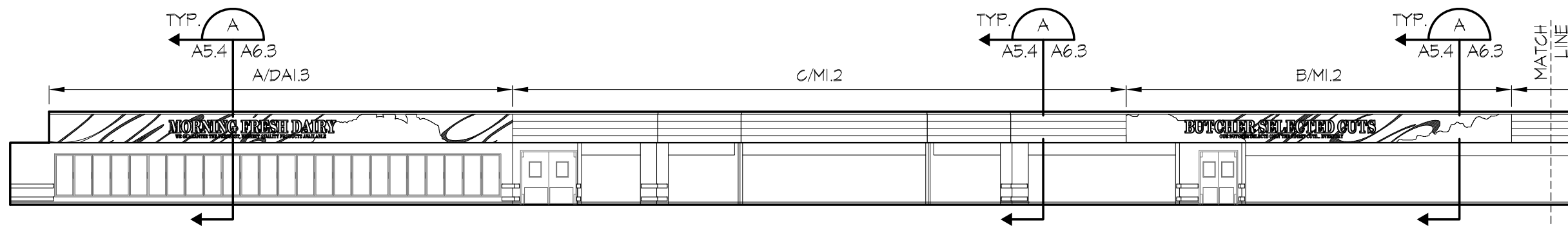
Overall
Interior
Elevations

A5.4



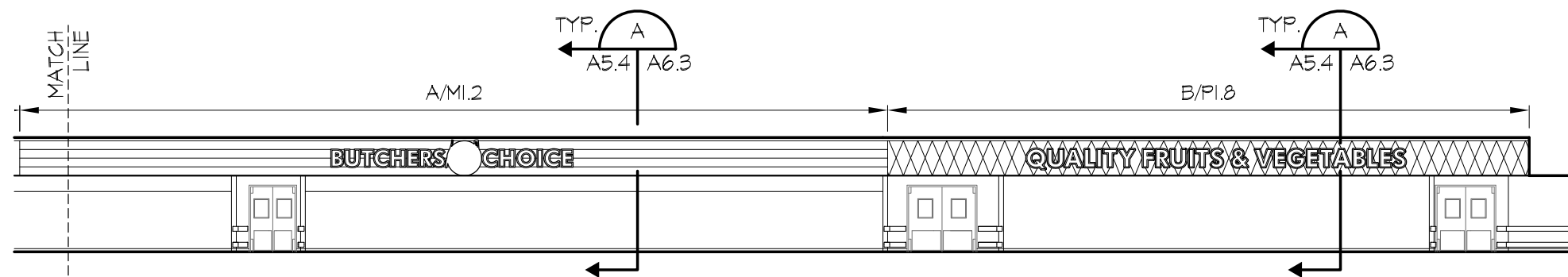
A PRODUCE ELEVATION
A5.1 | A5.4

1/16"=1'-0"



B DAIRY, MEAT, AND PRODUCE ELEVATION
A5.1 | A5.4

1/16"=1'-0"



B - ELEVATION CONTINUED
A5.1 | A5.4

1/16"=1'-0"



Defense
Commissary
Agency
Lackland AFB, Texas
Fort Lee, Virginia

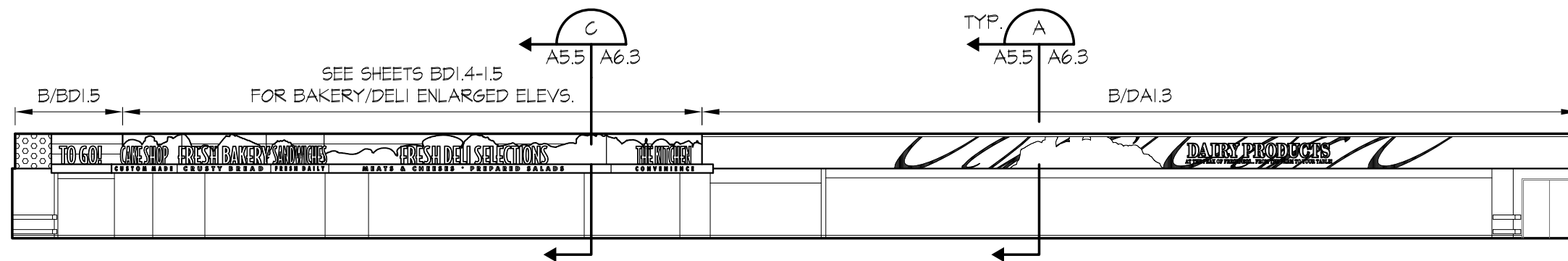
© COPYRIGHT 2009
THIS DOCUMENT IS THE PROPERTY OF THE DEFENSE
COMMISSARY AGENCY AND NO PART HEREIN SHALL BE
USED WITHOUT THE CONSENT OF THE DEFENSE
COMMISSARY AGENCY
DATE: SOLICITATION ISSUE: 2-25-09
DATE: CRITERIA ISSUE: 5-28-09
DATE:
DATE:

DeCA
Decor
2009

12' Ceiling

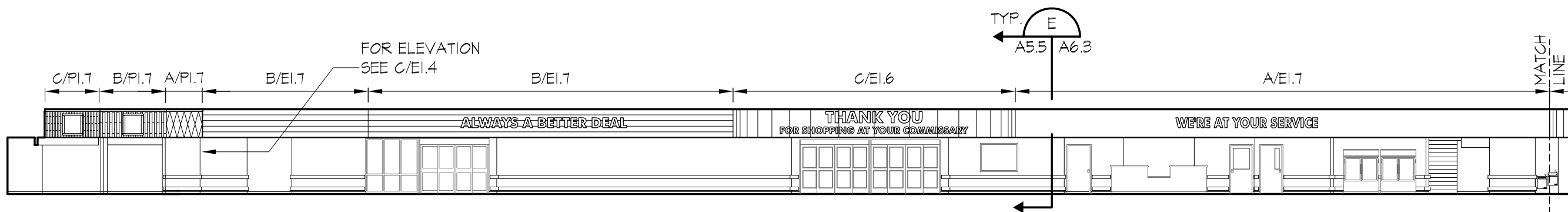
Overall
Interior
Elevations

A5.5



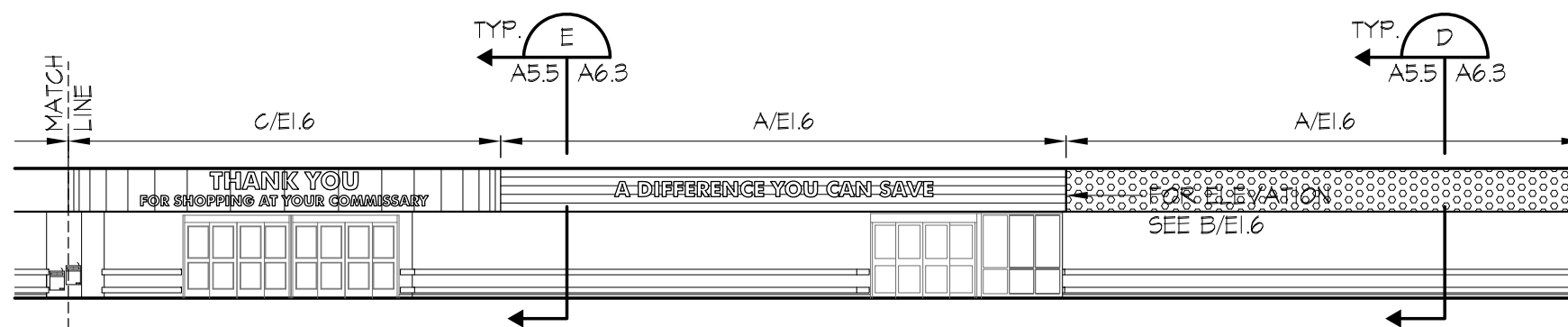
BAKERY DELI AND DAIRY ELEVATION

1/16"=1'-0"



EXIT AND ENTRY ELEVATION

1/16"=1'-0"



- ELEVATION CONTINUED

1/16"=1'-0"



Defense
Commissary
Agency
Lackland AFB, Texas
Fort Lee, Virginia

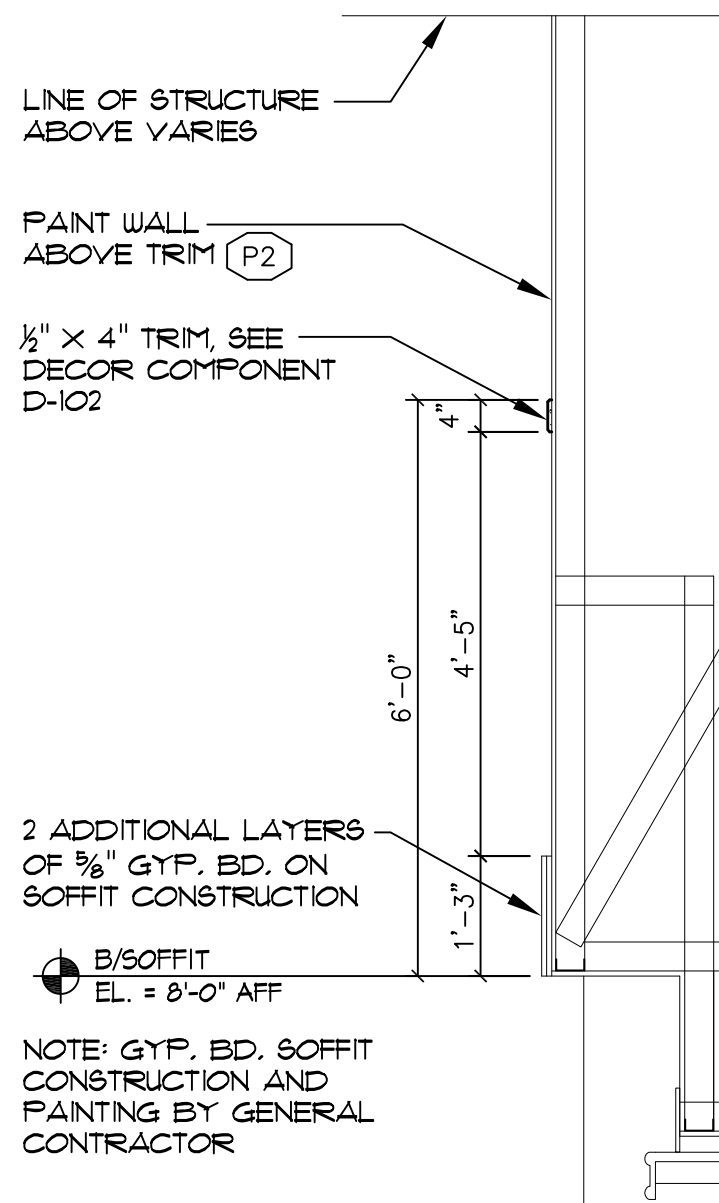
© COPYRIGHT 2009
THIS DOCUMENT IS THE PROPERTY OF THE DEFENSE COMMISSARY AGENCY AND NO PART HEREIN SHALL BE USED WITHOUT THE CONSENT OF THE DEFENSE COMMISSARY AGENCY

DATE:	SOLICITATION ISSUE: 2-25-09
DATE:	CRITERIA ISSUE: 5-28-09
DATE:	
DATE:	

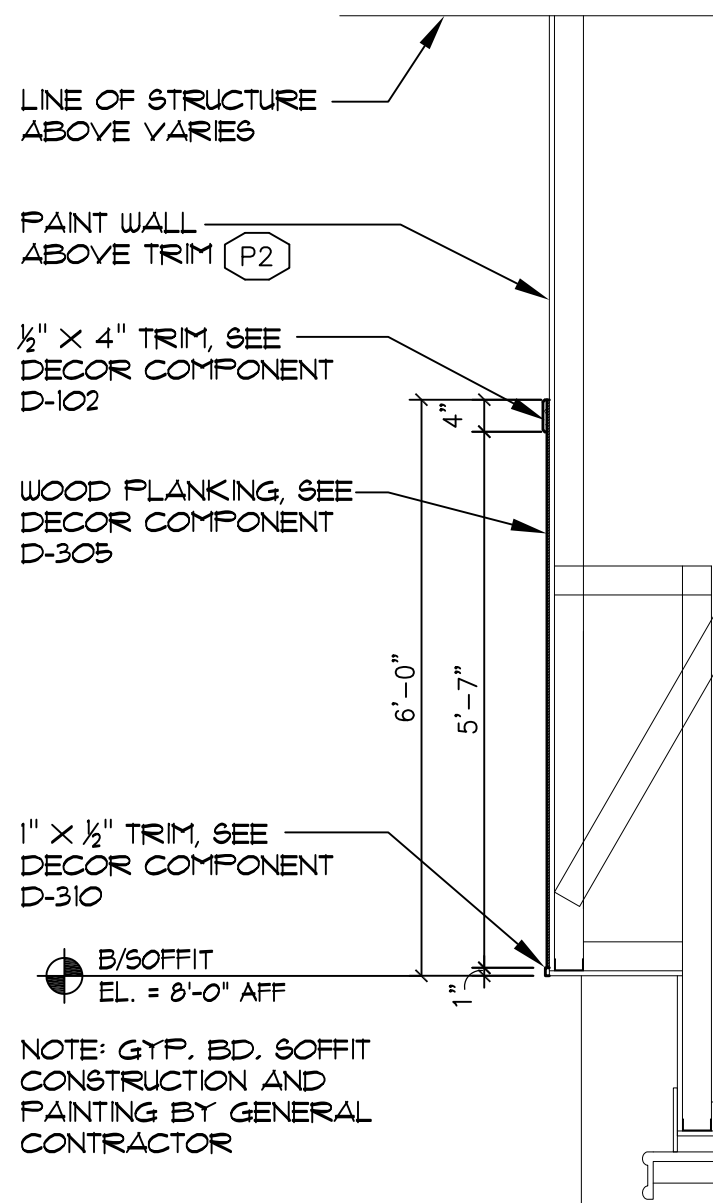
DeCA
Decor
2009

Soffit
Sections

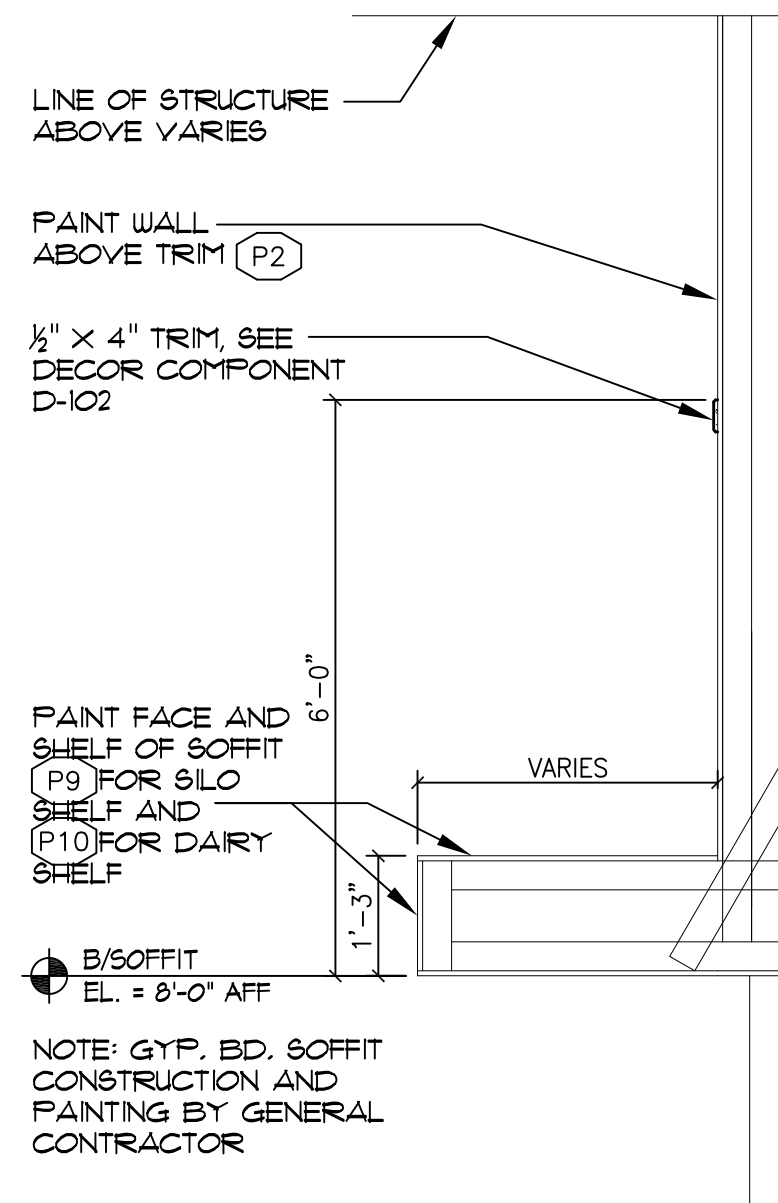
A6.1



A **TYPICAL SECTION**
OVERALL ELEVATIONS | A6.1 | 1/2"=1'-0"



B **PRODUCE SECTION**
OVERALL ELEVATIONS | A6.1 | 1/2"=1'-0"



C **SILO/DAIRY SHELF SECTION**
OVERALL ELEVATIONS | A6.1 | 1/2"=1'-0"



Defense
Commissary
Agency
Lackland AFB, Texas
Fort Lee, Virginia

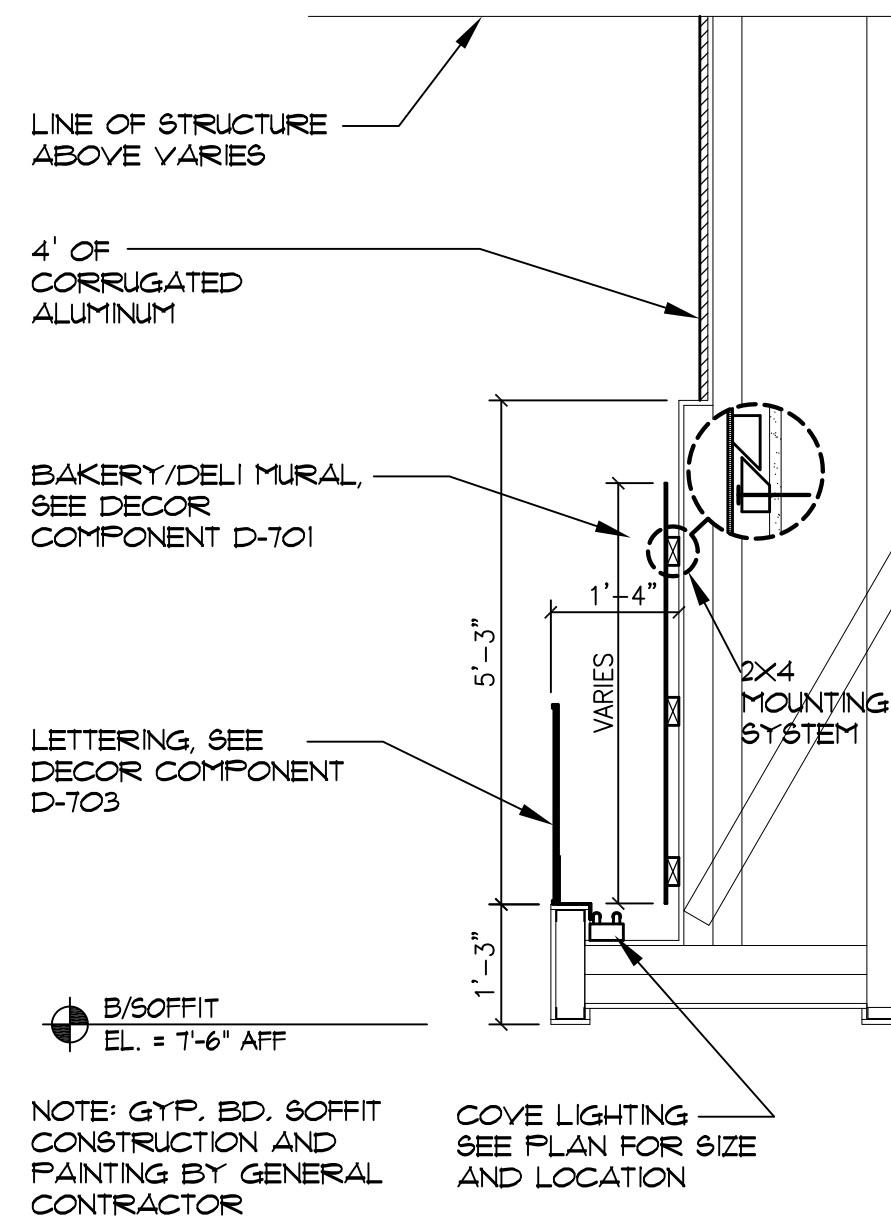
© COPYRIGHT 2009
THIS DOCUMENT IS THE PROPERTY OF THE DEFENSE
COMMISSARY AGENCY AND NO PART HEREIN SHALL BE
USED WITHOUT THE CONSENT OF THE DEFENSE
COMMISSARY AGENCY

DATE:	SOLICITATION ISSUE: 2-25-09
DATE:	CRITERIA ISSUE: 5-28-09
DATE:	
DATE:	

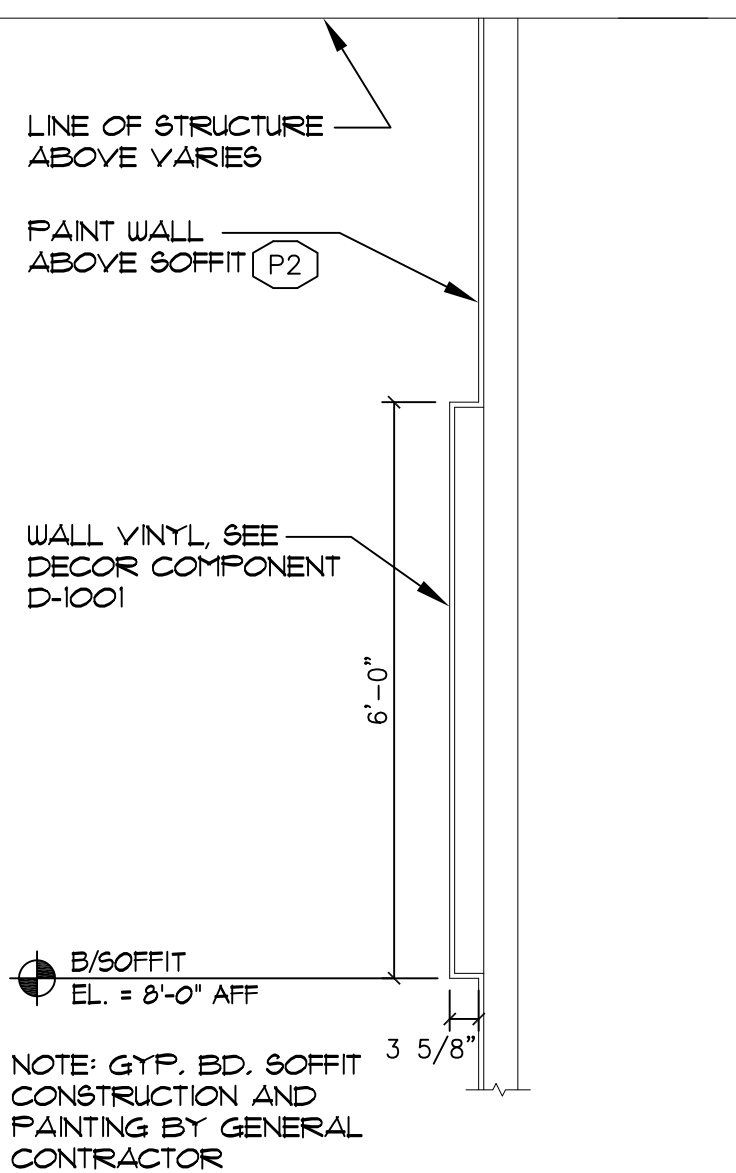
DeCA
Decor
2009

Soffit
Sections

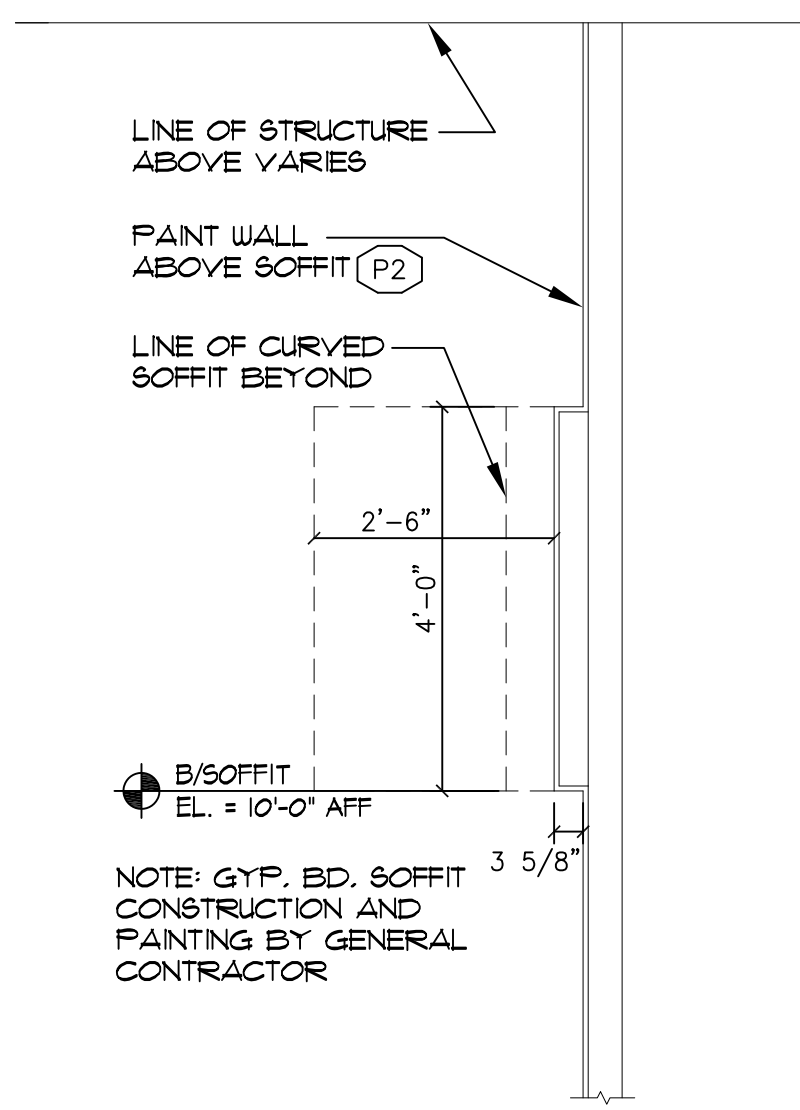
A6.2



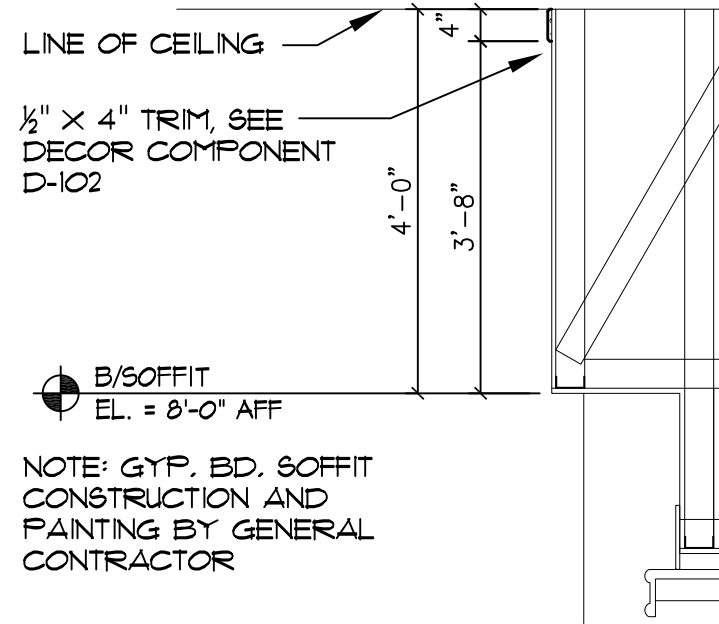
A BAKERY/DELI SECTION
OVERALL ELEVATIONS A6.2 1/2"=1'-0"



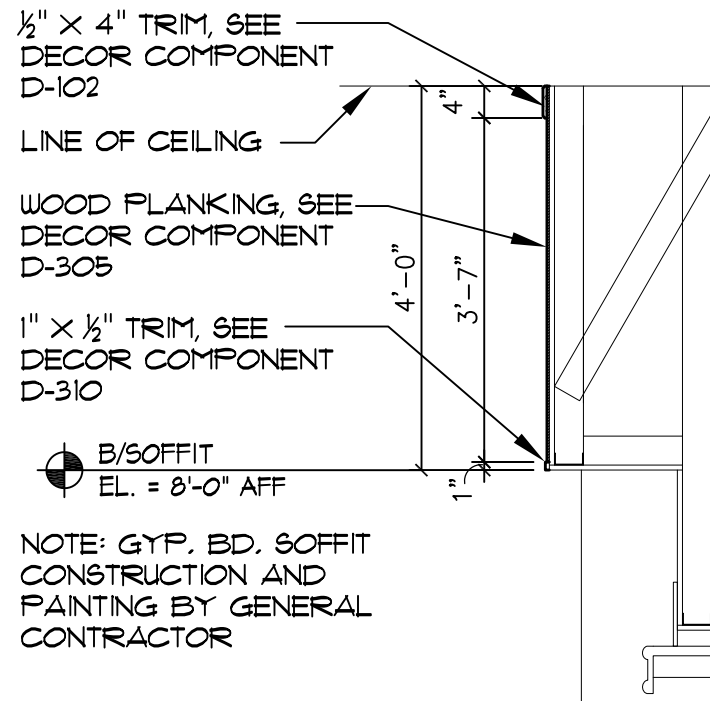
B CUSTOMER SERVICE SECTION
OVERALL ELEVATIONS A6.2 1/2"=1'-0"



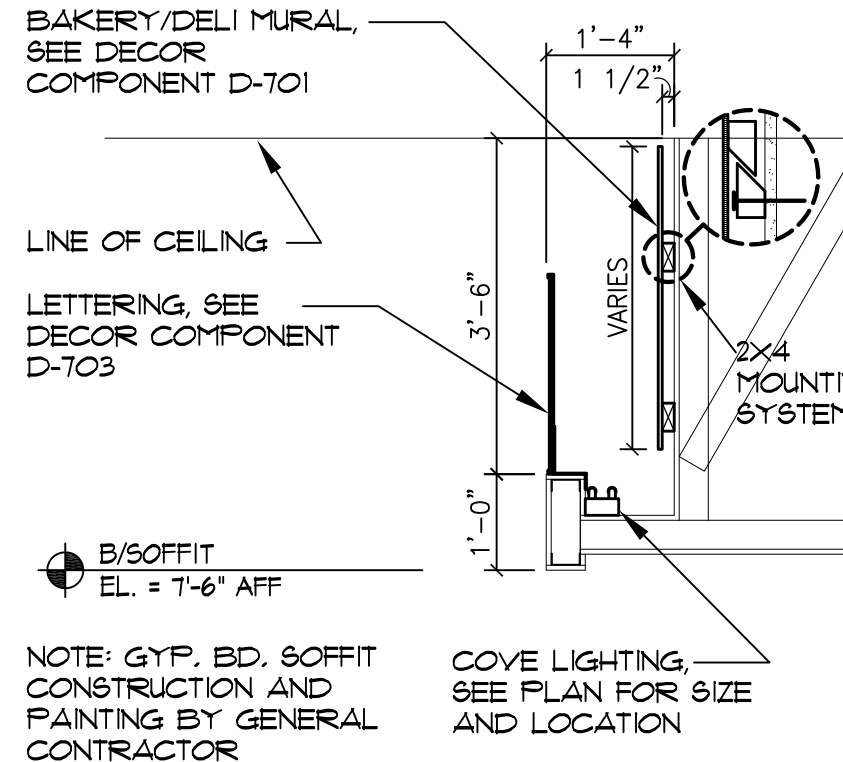
C ENTRY/EXIT SECTION
OVERALL ELEVATIONS A6.2 1/2"=1'-0"



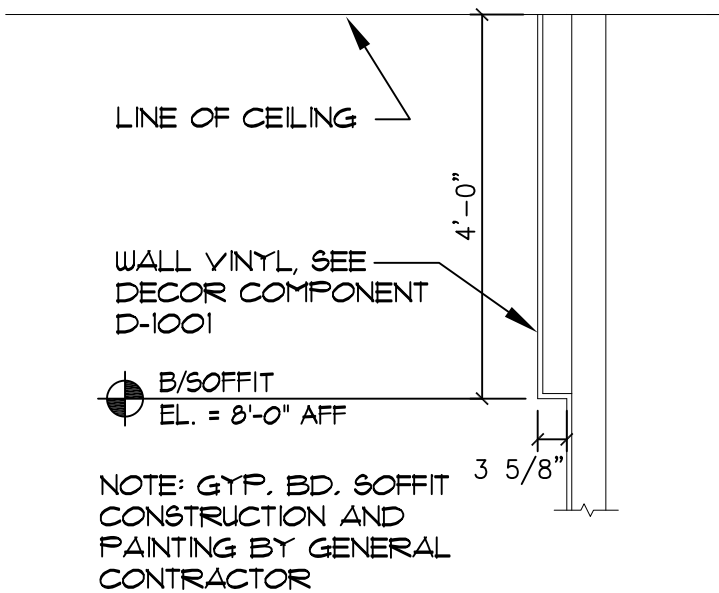
A TYPICAL SECTION
 OVERALL ELEVATIONS A6.3 1/2"=1'-0"



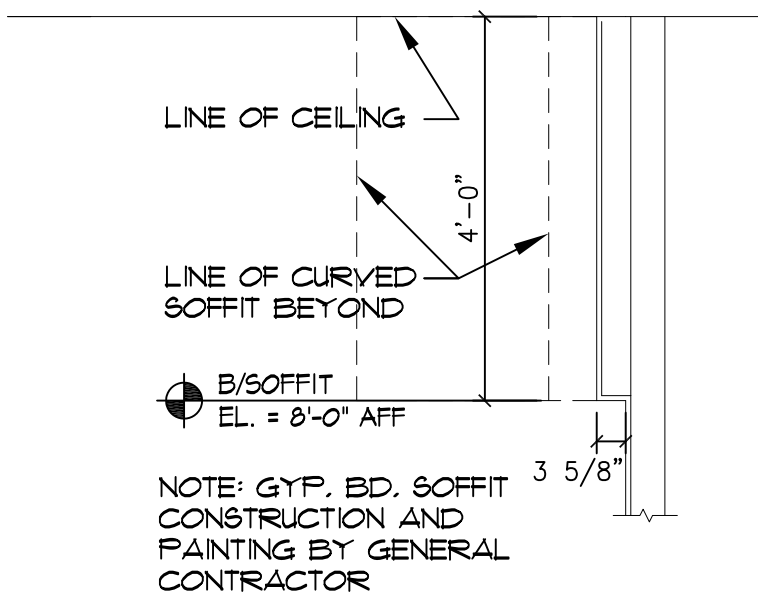
B PRODUCE SECTION
 OVERALL ELEVATIONS A6.3 1/2"=1'-0"



C BAKERY/DELI SECTION
 OVERALL ELEVATIONS A6.3 1/2"=1'-0"



D CUSTOMER SERVICE SECTION
 OVERALL ELEVATIONS A6.3 1/2"=1'-0"



E ENTRY/EXIT SECTION
 OVERALL ELEVATIONS A6.3 1/2"=1'-0"



Defense Commissary Agency
 Lackland AFB, Texas
 Fort Lee, Virginia

© COPYRIGHT 2009
 THIS DOCUMENT IS THE PROPERTY OF THE DEFENSE COMMISSARY AGENCY AND NO PART HEREIN SHALL BE USED WITHOUT THE CONSENT OF THE DEFENSE COMMISSARY AGENCY

DATE:	SOLICITATION ISSUE: 2-25-09
DATE:	CRITERIA ISSUE: 5-28-09
DATE:	
DATE:	

DeCA
 Decor
 2009

12' Ceiling

Soffit
 Sections

A6.3

ACOUSTICAL PANEL CEILING (APC)

APC-1 ARMSTRONG
FINE FISSURED #1732 (WHITE)
ANGLED TEGULAR EDGE 2'X2'X5/8" SQUARE
WITH HUMIGUARD PLUS AND BIOBLOCK PAINT
ON FACE AND BACK
WITH PRELUDE 15/16" GRID - WHITE

PAINT

Code	Manufacturer	Number	Name
P-1	Benjamin Moore	AC-40	Glacier White
P-2	Benjamin Moore	HC-168	Chelsea Gray
P-3	Benjamin Moore	HC-83	Grant Beige
P-4	Benjamin Moore	AC-2	Berkshire Beige
P-5	Benjamin Moore	2127-10	Twilight Zone
P-6	Benjamin Moore	2060-10	Symphony Blue
P-7	Benjamin Moore	2090-40	Wild Flower
P-8	Benjamin Moore	2089-40	Tomato Cream Sauce
P-9	Benjamin Moore	2034-40	Cedar Green
P-10	Benjamin Moore	2019-40	American Cheese
P-11	Benjamin Moore	2118-50	Excalibur Gray
P-12	Benjamin Moore	2033-30	Fresh Scent
P-13	Benjamin Moore	2003-20	Strawberry
P-14	Benjamin Moore	2037-30	Kelly Green
P-15	Benjamin Moore	2061-30	Bermuda Blue
P-16	Benjamin Moore	2023-40	Sunburst
P-17	Benjamin Moore	HC-151	Buckland Blue
P-18	Benjamin Moore	HC-153	Marlboro Blue
P-19	Benjamin Moore	HC-152	Whipple Blue
P-20	Benjamin Moore	2068-30	Scandinavian Blue
P-21	Benjamin Moore	2066-40	Rocky Mountain Sky
P-22	Benjamin Moore	2048-40	Poolside Blue
P-23	Pantone	877C	Silver
P-24	Benjamin Moore	2022-30	Bright Yellow
P-25	Benjamin Moore	2076-30	Crushed Berries
P-26	Benjamin Moore	2017-30	Tangelo
P-27	Benjamin Moore	2013-10	Outrageous Orange
Exposed Ceilings		Dryfall	Flat - P-1

VINYL COMPOSITION TILE (VCT)

VCT-1 AZROCK BY TARKETT
VINYL COMPOSITION TILE
PREMIUM / GRANITE
VL 124-3 TAN
SIZE: 12" x 12"

CERAMIC TILE (CT)

CT-1 DAL TILE , SEMI-GLOSS
0135 ALMOND
4 1/4" x 4 1/4" WITH WHITE GROUT

CT-2 DAL TILE , SEMI-GLOSS
K180 CHAMOIS
4 1/4" x 4 1/4" WITH WHITE GROUT

CT-3 DAL TILE , SEMI-GLOSS
0135 ALMOND
4 1/4" x 4 1/4" WITH WHITE GROUT
COVE BASE A-340I AT RESINOUS FLOORS

CT-4 DAL TILE , SEMI-GLOSS
1452 CYPRESS
4 1/4" x 4 1/4" WITH WHITE GROUT

CT-5 DAL TILE , SEMI-GLOSS
K111 BLACK
4 1/4" x 4 1/4" WITH WHITE GROUT

CT-6 DAL TILE, PORCEALTO
CD07 VERDE ALGHERO (GRANITI)
8" X 8" FLOOR TILE
8" X 6" COVE BASE S-3689T
GROUT: CUSTOM BUILDING PRODUCTS
POLYBLEND # 9 NATURAL GREY

RESILIENT BASE (RB)

RB-1 VPI FLOOR PRODUCTS DIVISION
SERIES 700 RUBBER BASE
794 BLACK - BROWN

RESINOUS FLOORING (RES)

RES-1 STONHARD, INC
STONCLAD UT
BRICK RED

RES-2 STONHARD, INC.
STONCLAD GS/STONKOTE GS-4
DESERT TAN

RIGID WALL COVERING (RWC-1)

RWC-1 KOROGARD
PROTECTIVE WALLCOVERING
COLOR: K-49 "QUARRY"
TEXTURE: HAIRCELL
THICKNESS: 0.06"

SOLID SURFACING (SS)

SS-1 CORIAN
COCOA BROWN

PLASTIC LAMINATE (PL)

PL-1 NEVAMAR
CARMEL SAGAWOOD
WM-8-350T

PL-2 NEVAMAR
CHARCOAL MATRIX
MR-6-2T

STAIN (S)

S-1 COLOR TO MATCH PL-1
NEVAMAR-
CARMEL SAGAWOOD

SPECIAL CONCRETE FLOOR FINISH (CF)

CF-1 RETROPLATE CONCRETE POLISHING SYSTEM
RETRO-PLATE 99
ADVANCED FLOOR PRODUCTS, INC.
NATURAL CONC. FINISH W/STAIN REPELLANT



Defense
Commissary
Agency

Lackland AFB, Texas
Fort Lee, Virginia

© COPYRIGHT 2009
THIS DOCUMENT IS THE PROPERTY OF THE DEFENSE
COMMISSARY AGENCY AND NO PART HEREIN SHALL BE
USED WITHOUT THE CONSENT OF THE DEFENSE
COMMISSARY AGENCY

DATE:	SOLICITATION ISSUE: 2-25-09
DATE:	CRITERIA ISSUE: 5-28-09
DATE:	
DATE:	

DeCA
Decor
2009

Finish
Schedule

A7.1

DISPLAY CASES

REFRIGERATED & NON-REFRIGERATED
DISPLAY CASES (UNLESS OTHERWISE NOTED)

HUSSMANN:

CASE EXTERIOR: HUSSMANN #311 PEARL GRAY
VINYL BUMPER: HUSSMANN #596 ROYAL MAROON
CASE INTERIOR: HUSSMANN STANDARD WHITE #700

HILL PHOENIX:

CASE EXTERIOR: HILL PHOENIX #41968 FRENCH VANILLA
VINYL BUMPER: HILL PHOENIX #40622 BRICK RED
CASE INTERIOR: HILL PHOENIX #53224 APPLIANCE WHITE

LINDE:

CASE EXTERIOR: LINDE #RAL9001 CREAM WHITE
VINYL BUMPER: LINDE #RAL7042 TRAFFIC GREY
PLINTH BUMPER: LINDE #FA0370 DURAN GREY
CASE INTERIOR: LINDE #FA0117 POWDER WHITE
KICK PLATE: STAINLESS STEEL
DISPLAY DOOR TRIM FRAME: POLISHED ALUMINUM

MODULAR WORKSTATIONS

HON : 'SIMPLICITY II'
PANEL FABRIC : TANGO PLAYA TA33
LAMINATE : G3 GRAPHITE
PAINT : BLACK
CHAIR FABRIC : AD DIMENSIONS GRAY 18
CHAIR FRAME : BLACK

TRAFFIC DOORS

DOOR TYPE "FF" AND "GG"
ELIASON CORPORATION
COLOR : BEIGE
(800) 828-3577

PEDESTRIAN CONTROL DEVICE

ALVARADO MANUFACTURING COMPANY
CHINO, CALIFORNIA
(800) 423-1143
ESCORT POST & BELT SYSTEM
POSTS : CHROME W/ BLACK TRIM STRIPS
BELTS : BLACK

DAMAGED MERCHANDISE UNIT

FIXTURE ITEM: IRO9
RICHARDS-WILLCOX, INC.
TIMES-TWO FILES
SN 94 SAND

TOILET PARTITIONS

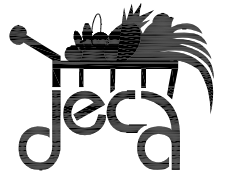
METPAR CORPORATION
STAINLESS STEEL

METAL LOCKERS

REPUBLIC STORAGE SYSTEMS CO.
JET BLACK - # 94

ELECTRONIC QUEUING DIRECTOR

DATUM DIRECTORS, INC.
TORENCE, CALIFORNIA
(310) 370-7701
DIRECTOR BOX : MATTE BLACK
POST : BLACK
SIGN PANEL : BLACK PLEXIGLASS BACKGROUND
WITH WHITE LETTERS



Defense
Commissary
Agency

Lackland AFB, Texas
Fort Lee, Virginia

© COPYRIGHT 2009

THIS DOCUMENT IS THE PROPERTY OF THE DEFENSE
COMMISSARY AGENCY AND NO PART HEREIN SHALL BE
USED WITHOUT THE CONSENT OF THE DEFENSE
COMMISSARY AGENCY

DATE:	SOLICITATION ISSUE: 2-25-09
DATE:	CRITERIA ISSUE: 5-28-09
DATE:	
DATE:	

DeCA
Decor
2009

Equipment
Color
Schedule

A7.2



Defense
Commissary
Agency
Lackland AFB, Texas
Fort Lee, Virginia

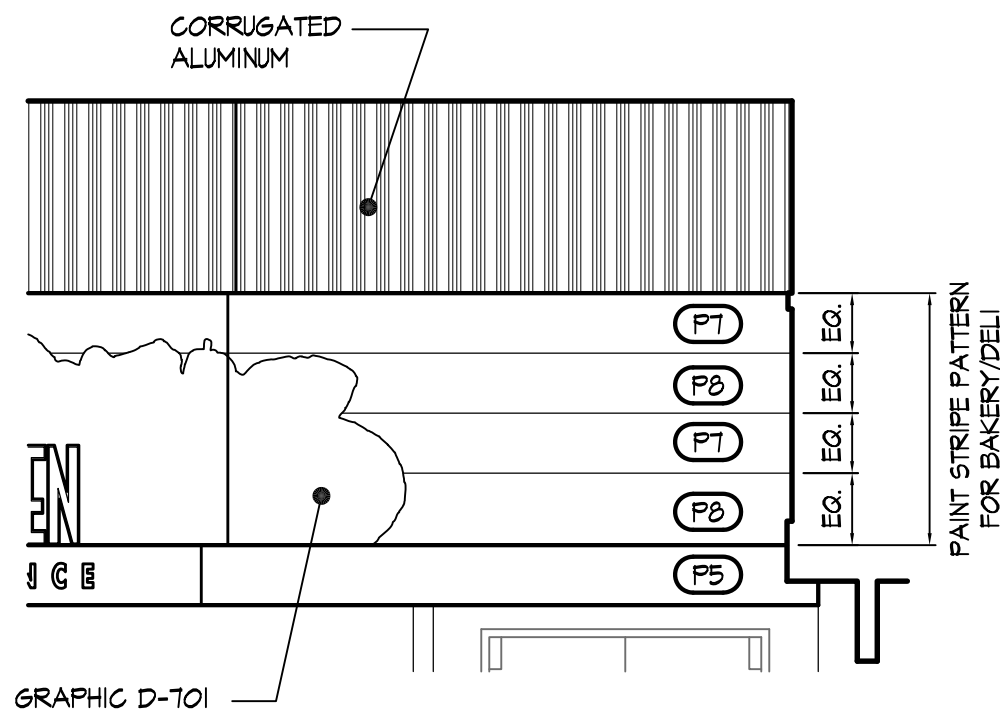
© COPYRIGHT 2009
THIS DOCUMENT IS THE PROPERTY OF THE DEFENSE
COMMISSARY AGENCY AND NO PART HEREIN SHALL BE
USED WITHOUT THE CONSENT OF THE DEFENSE
COMMISSARY AGENCY

DATE:	SOLICITATION ISSUE: 2-25-09
DATE:	CRITERIA ISSUE: 5-28-09
DATE:	
DATE:	

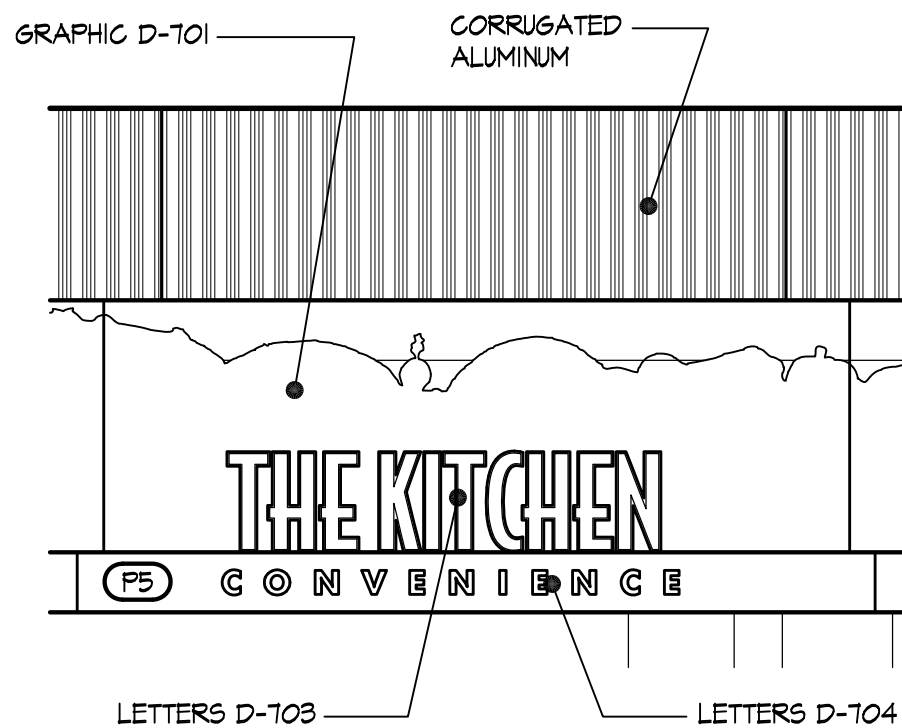
DeCA
Decor
2009

Bakery/Deli
Enlarged
Elevations

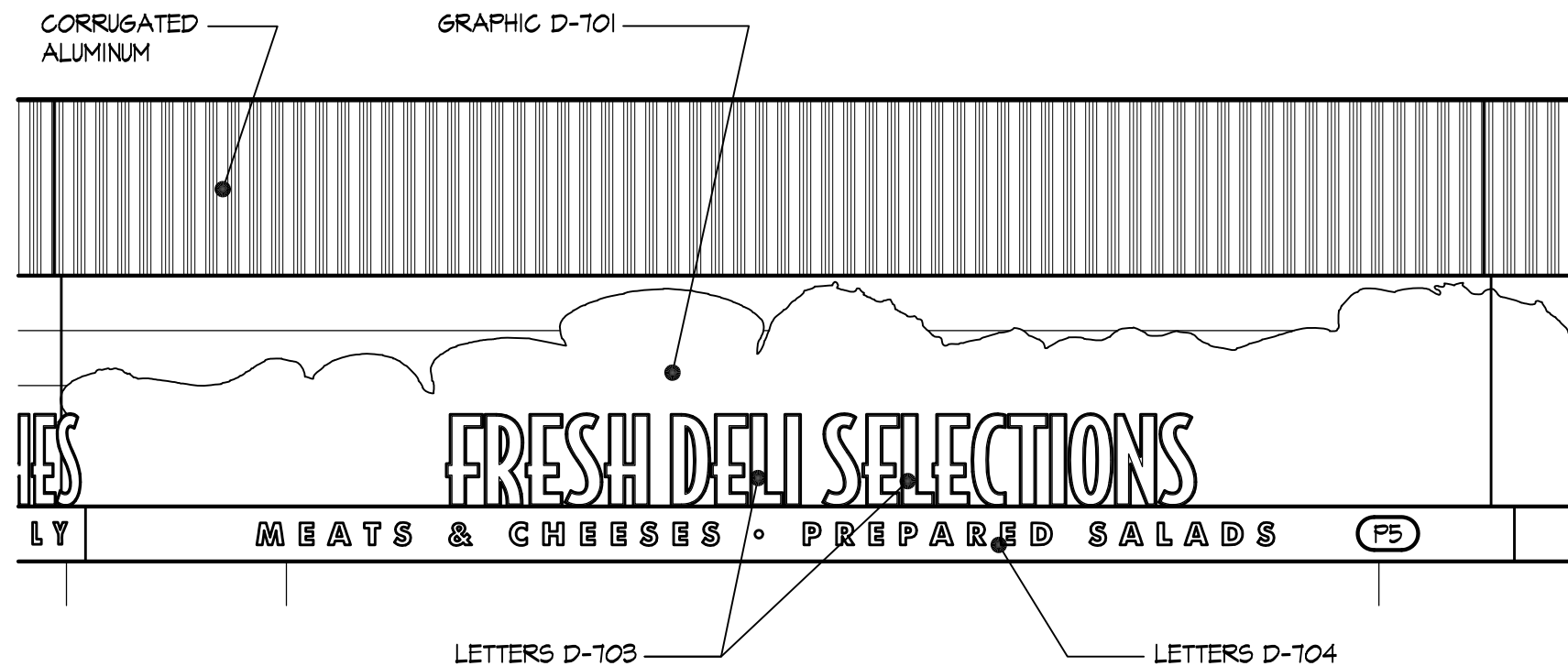
BD1.1



A BAKERY/DELI ELEVATION
ELEV. | BDI.1 | 1/4"=1'-0"

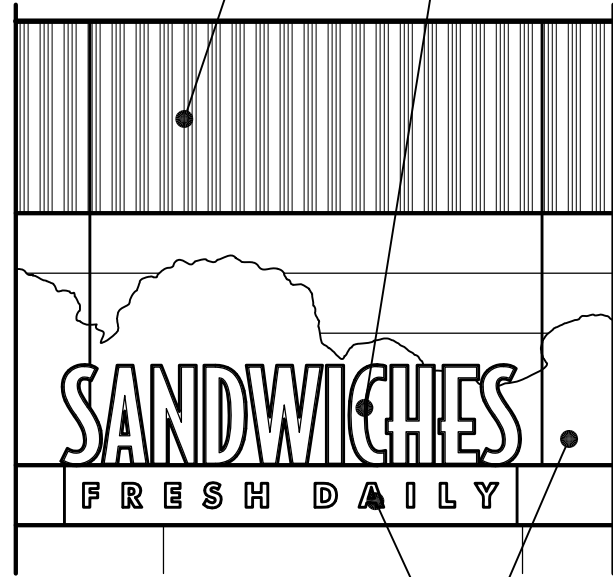


B BAKERY/DELI ELEVATION
ELEV. | BDI.1 | 1/4"=1'-0"



C BAKERY/DELI ELEVATION
ELEV. | BDI.1 | 1/4"=1'-0"

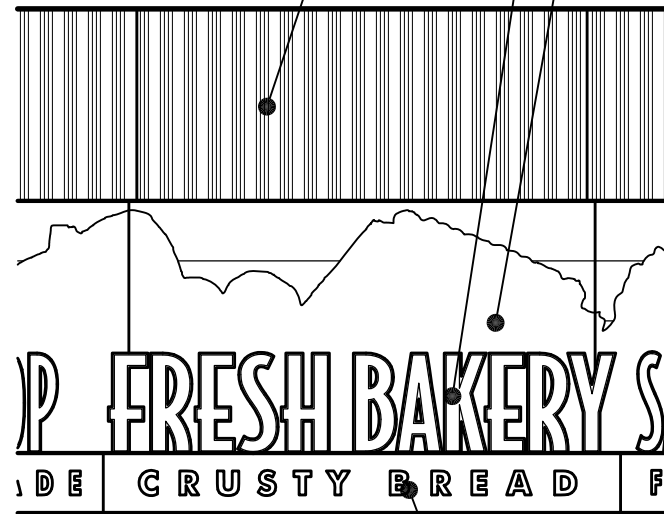
CORRUGATED ALUMINUM
LETTERS D-703



GRAPHIC D-701
LETTERS D-704

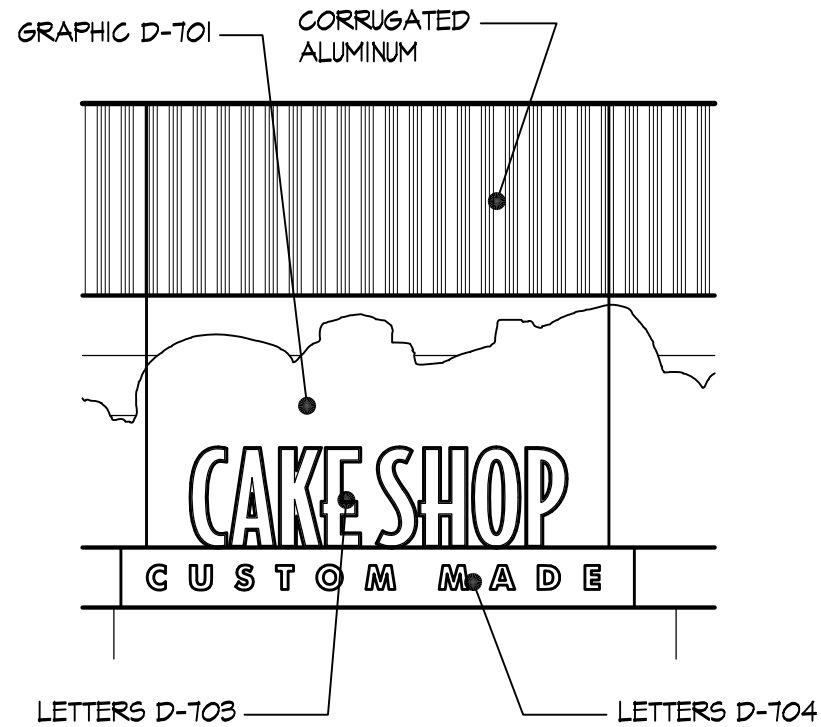
A BAKERY/DELI ELEVATION
ELEV. BDI.2 1/4"=1'-0"

CORRUGATED ALUMINUM
LETTERS D-703
GRAPHIC D-701



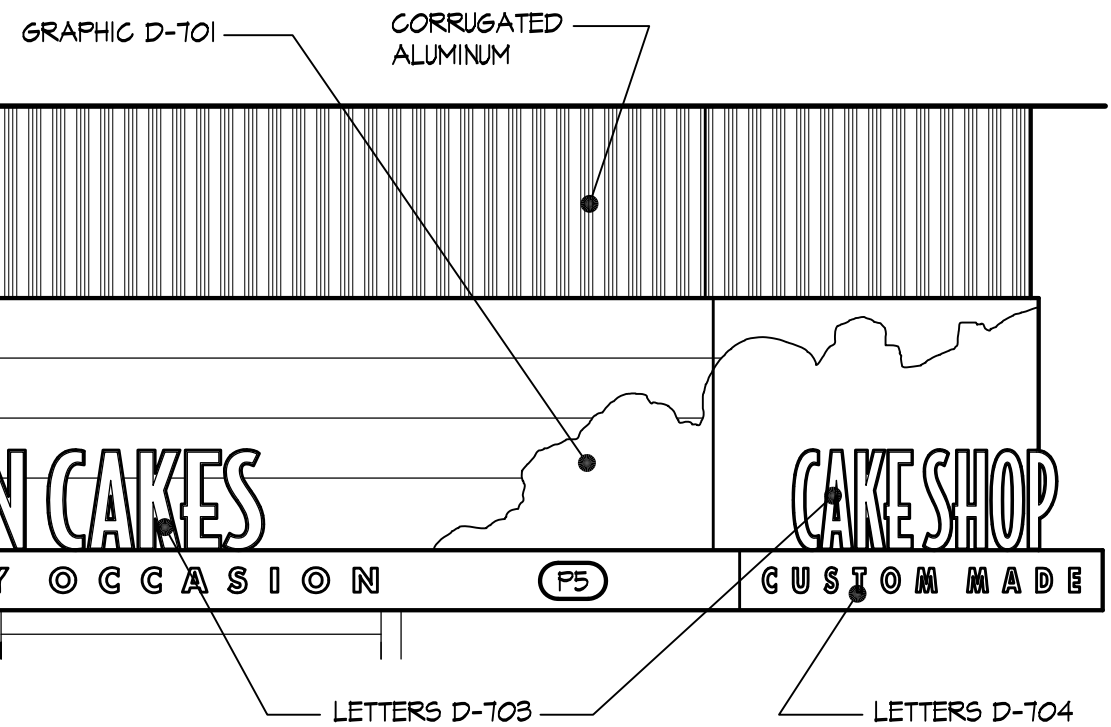
LETTERS D-704

B BAKERY/DELI ELEVATION
ELEV. BDI.2 1/4"=1'-0"



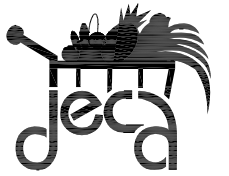
LETTERS D-703
LETTERS D-704

C BAKERY/DELI ELEVATION
ELEV. BDI.2 1/4"=1'-0"



LETTERS D-703
LETTERS D-704

D BAKERY/DELI ELEVATION
ELEV. BDI.2 1/4"=1'-0"



Defense
Commissary
Agency
Lackland AFB, Texas
Fort Lee, Virginia

© COPYRIGHT 2009
THIS DOCUMENT IS THE PROPERTY OF THE DEFENSE COMMISSARY AGENCY AND NO PART HEREIN SHALL BE USED WITHOUT THE CONSENT OF THE DEFENSE COMMISSARY AGENCY
DATE: SOLICITATION ISSUE: 2-25-09
DATE: CRITERIA ISSUE: 5-28-09
DATE:
DATE:

DeCA
Decor
2009

Bakery/Deli
Enlarged
Elevations

BD1.2

CORRUGATED ALUMINUM

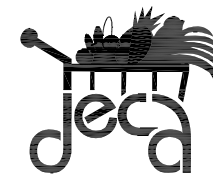


WALL VINYL D-1001

LETTERS D-703

A BAKERY/DELI ELEVATION
ELEV. BDI.2

1/4"=1'-0"



Defense
Commissary
Agency
Lackland AFB, Texas
Fort Lee, Virginia

© COPYRIGHT 2009
THIS DOCUMENT IS THE PROPERTY OF THE DEFENSE COMMISSARY AGENCY AND NO PART HEREIN SHALL BE USED WITHOUT THE CONSENT OF THE DEFENSE COMMISSARY AGENCY

DATE:	SOLICITATION ISSUE: 2-25-09
DATE:	CRITERIA ISSUE: 5-28-09
DATE:	
DATE:	

DeCA
Decor
2009

Bakery/Deli
Enlarged
Elevations

BD1.3



Defense
Commissary
Agency
Lackland AFB, Texas
Fort Lee, Virginia

© COPYRIGHT 2009
THIS DOCUMENT IS THE PROPERTY OF THE DEFENSE
COMMISSARY AGENCY AND NO PART HEREIN SHALL BE
USED WITHOUT THE CONSENT OF THE DEFENSE
COMMISSARY AGENCY

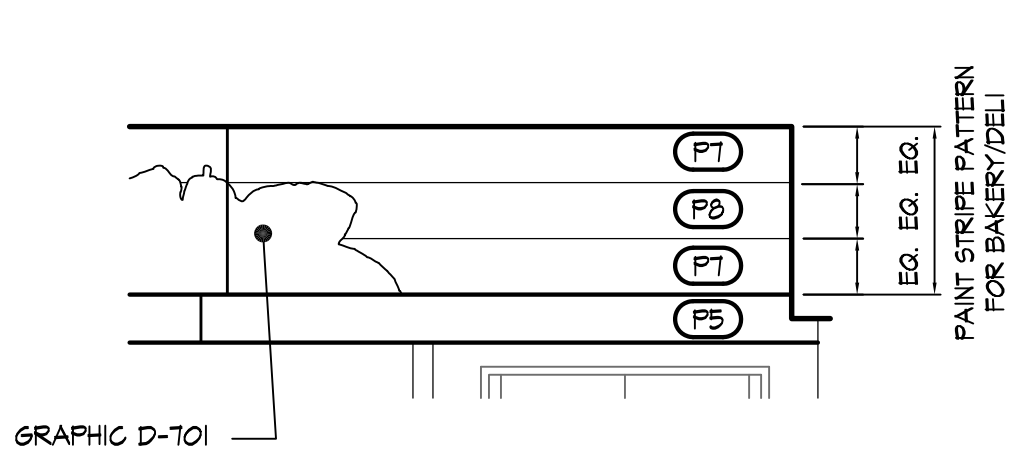
DATE:	SOLICITATION ISSUE: 2-25-09
DATE:	CRITERIA ISSUE: 5-28-09
DATE:	
DATE:	

DeCA
Decor
2009

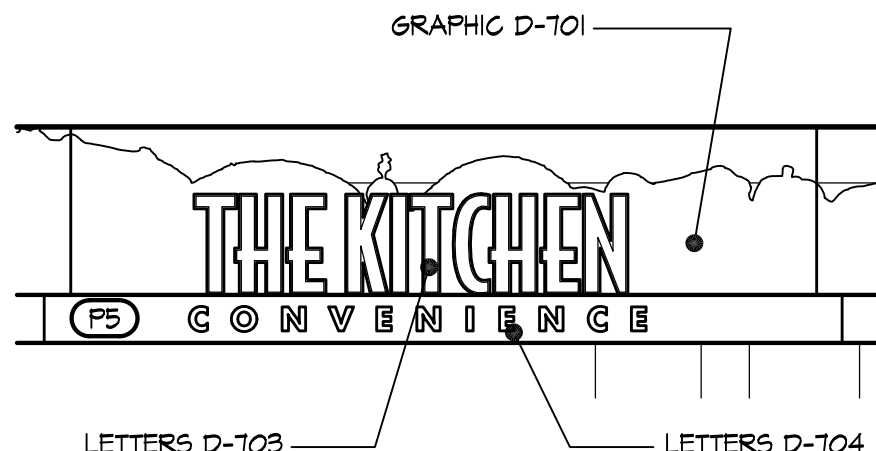
12' Ceiling

Bakery/Deli
Enlarged
Elevations

BD1.4



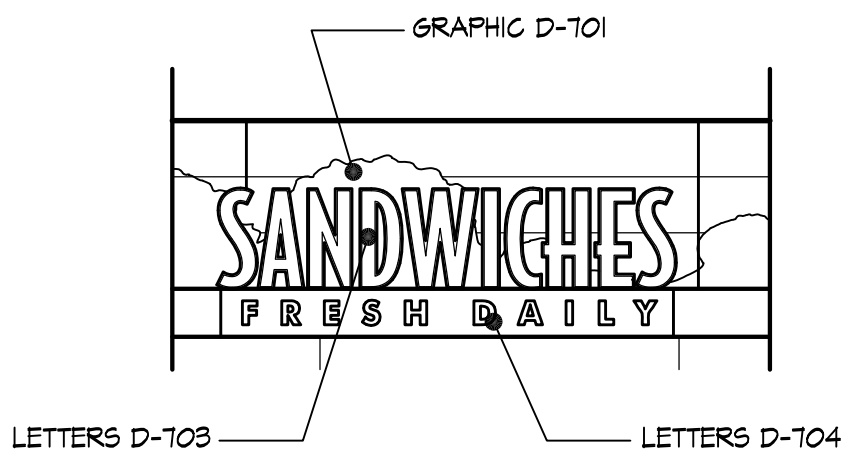
A BAKERY/DELI ELEVATION
ELEV. | BD1.4 | 1/4"=1'-0"



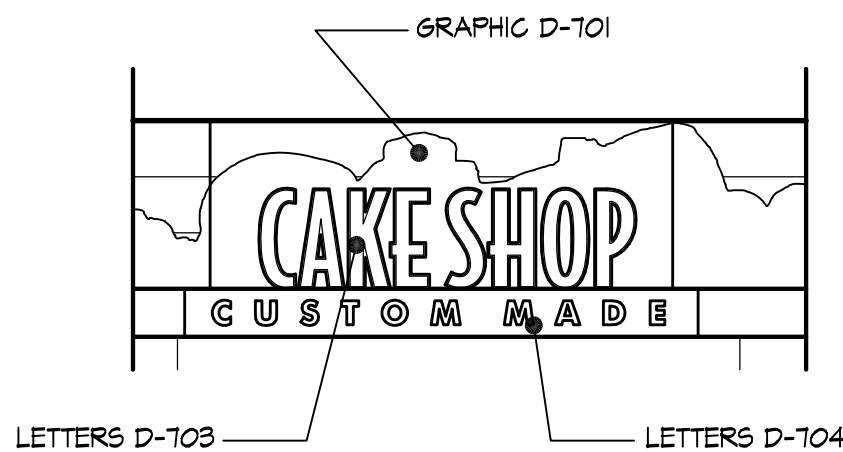
B BAKERY/DELI ELEVATION
ELEV. | BD1.4 | 1/4"=1'-0"



C BAKERY/DELI ELEVATION
ELEV. | BD1.4 | 1/4"=1'-0"



D BAKERY/DELI ELEVATION
ELEV. | BD1.4 | 1/4"=1'-0"



E BAKERY/DELI ELEVATION
ELEV. | BD1.4 | 1/4"=1'-0"



Defense
Commissary
Agency
Lackland AFB, Texas
Fort Lee, Virginia

© COPYRIGHT 2009
THIS DOCUMENT IS THE PROPERTY OF THE DEFENSE
COMMISSARY AGENCY AND NO PART HEREIN SHALL BE
USED WITHOUT THE CONSENT OF THE DEFENSE
COMMISSARY AGENCY

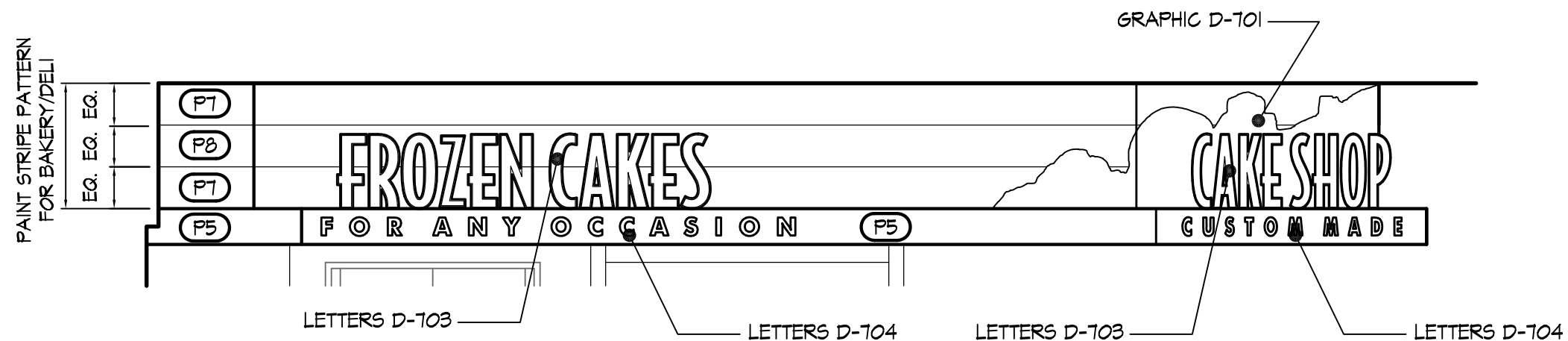
DATE:	SOLICITATION ISSUE: 2-25-09
DATE:	CRITERIA ISSUE: 5-28-09
DATE:	
DATE:	

DeCA
Decor
2009

12' Ceiling

Bakery/Deli
Enlarged
Elevations

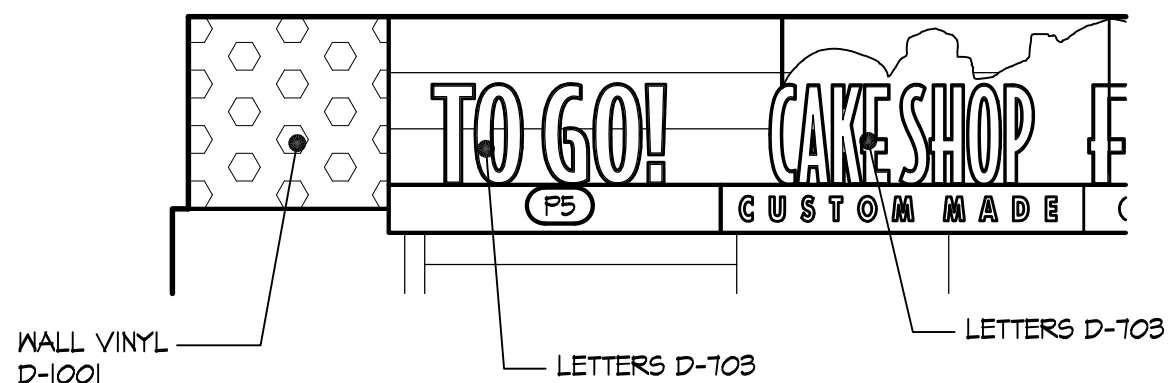
BD1.5



A
ELEV. | BD1.5

BAKERY/DELI ELEVATION

1/4"=1'-0"



B
ELEV. | BD1.5

BAKERY/DELI ELEVATION

1/4"=1'-0"



Defense
Commissary
Agency
Lackland AFB, Texas
Fort Lee, Virginia

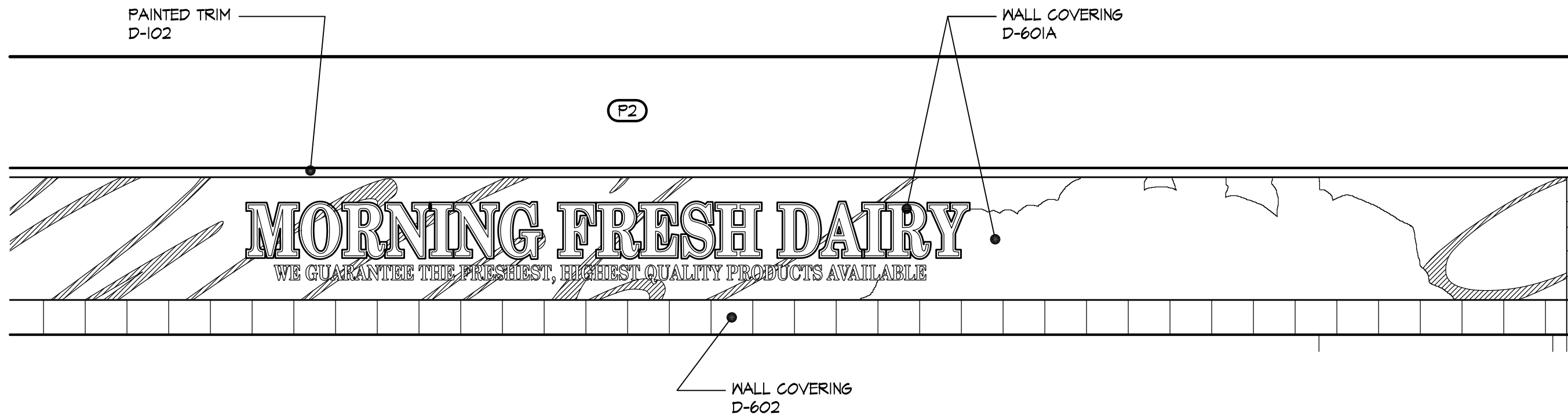
© COPYRIGHT 2009
THIS DOCUMENT IS THE PROPERTY OF THE DEFENSE
COMMISSARY AGENCY AND NO PART HEREIN SHALL BE
USED WITHOUT THE CONSENT OF THE DEFENSE
COMMISSARY AGENCY

DATE:	SOLICITATION ISSUE: 2-25-09
DATE:	CRITERIA ISSUE: 5-28-09
DATE:	
DATE:	

DeCA
Decor
2009

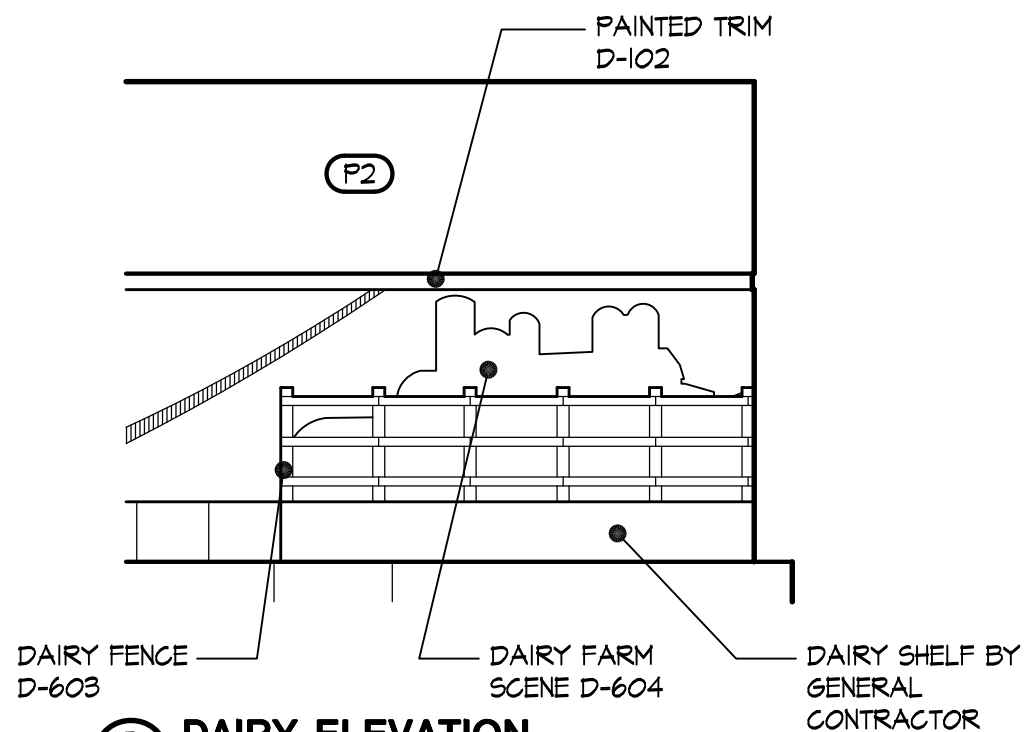
Dairy
Enlarged
Elevations

DA1.1



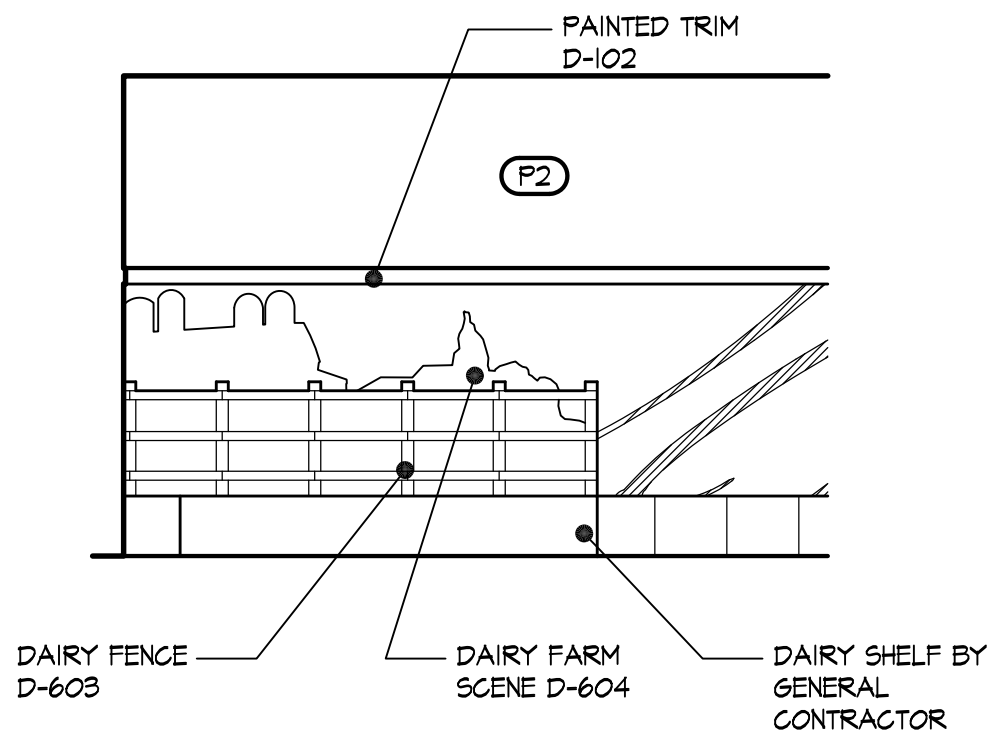
A DAIRY ELEVATION
ELEV. DAI.1

1/4"=1'-0"



B DAIRY ELEVATION
ELEV. DAI.1

1/4"=1'-0"





Defense
Commissary
Agency
Lackland AFB, Texas
Fort Lee, Virginia

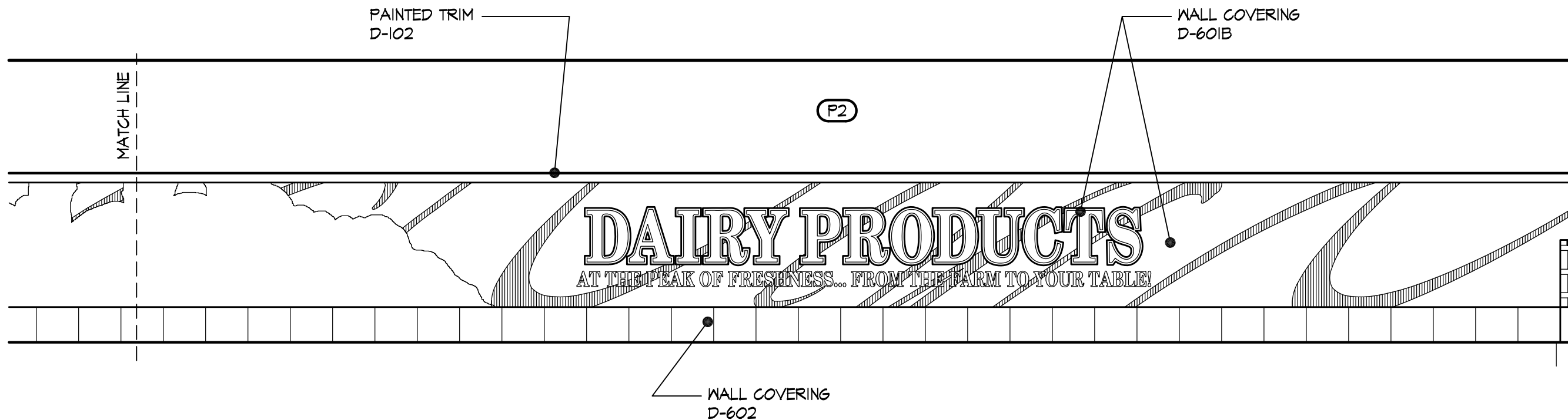
© COPYRIGHT 2009
THIS DOCUMENT IS THE PROPERTY OF THE DEFENSE
COMMISSARY AGENCY AND NO PART HEREIN SHALL BE
USED WITHOUT THE CONSENT OF THE DEFENSE
COMMISSARY AGENCY

DATE:	SOLICITATION ISSUE: 2-25-09
DATE:	CRITERIA ISSUE: 5-28-09
DATE:	
DATE:	

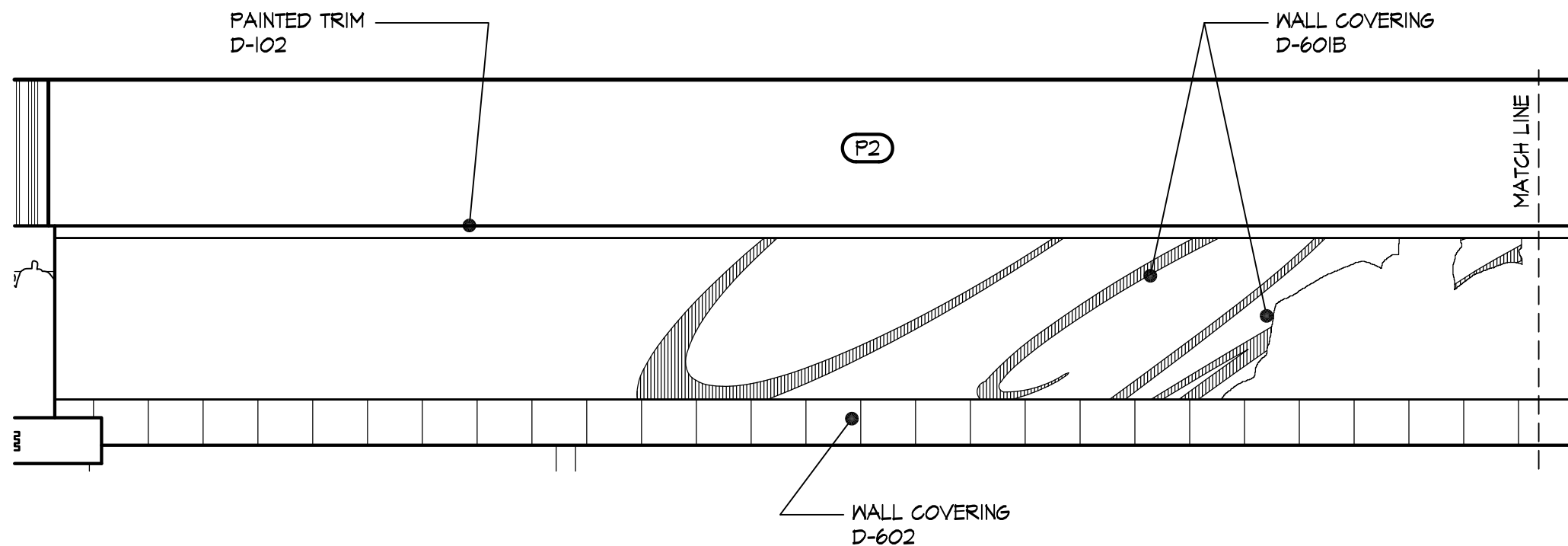
DeCA
Decor
2009

Dairy
Enlarged
Elevations

DA1.2



DAIRY ELEVATION
ELEV. DA1.2



DAIRY ELEVATION
ELEV. DA1.2



Defense
Commissary
Agency
Lackland AFB, Texas
Fort Lee, Virginia

© COPYRIGHT 2009
THIS DOCUMENT IS THE PROPERTY OF THE DEFENSE
COMMISSARY AGENCY AND NO PART HEREIN SHALL BE
USED WITHOUT THE CONSENT OF THE DEFENSE
COMMISSARY AGENCY

DATE:	SOLICITATION ISSUE: 2-25-09
DATE:	CRITERIA ISSUE: 5-28-09
DATE:	
DATE:	

DeCA
Decor
2009

12' Ceiling

Dairy
Enlarged
Elevations

DA1.3

PAINTED TRIM
D-102

WALL COVERING
D-601A

MORNING FRESH DAIRY
WE GUARANTEE THE FRESHEST, HIGHEST QUALITY PRODUCTS AVAILABLE

A
DAIRY ELEVATION
ELEV. DAI.3

1/4"=1'-0"

PAINTED TRIM
D-102

WALL COVERING
D-601B

DAIRY PRODUCTS
AT THE PEAK OF FRESHNESS... FROM THE FARM TO YOUR TABLE

B
DAIRY ELEVATION
ELEV. DAI.3

1/4"=1'-0"



Defense Commissary Agency
Lackland AFB, Texas
Fort Lee, Virginia

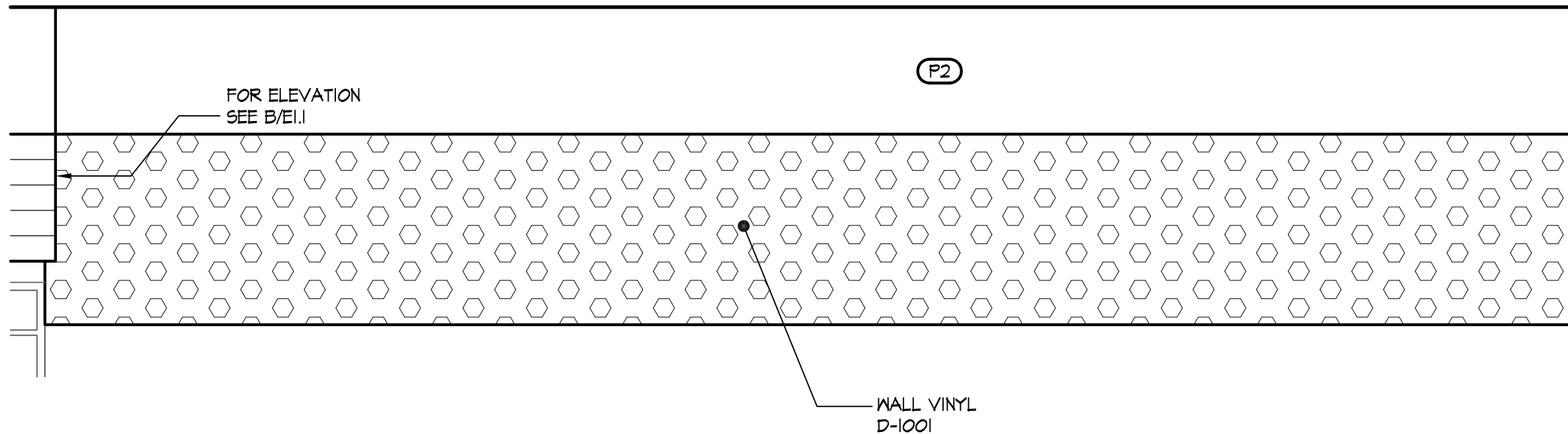
© COPYRIGHT 2009
THIS DOCUMENT IS THE PROPERTY OF THE DEFENSE COMMISSARY AGENCY AND NO PART HEREIN SHALL BE USED WITHOUT THE CONSENT OF THE DEFENSE COMMISSARY AGENCY

DATE:	SOLICITATION ISSUE: 2-25-09
DATE:	CRITERIA ISSUE: 5-28-09
DATE:	
DATE:	

DeCA
Decor
2009

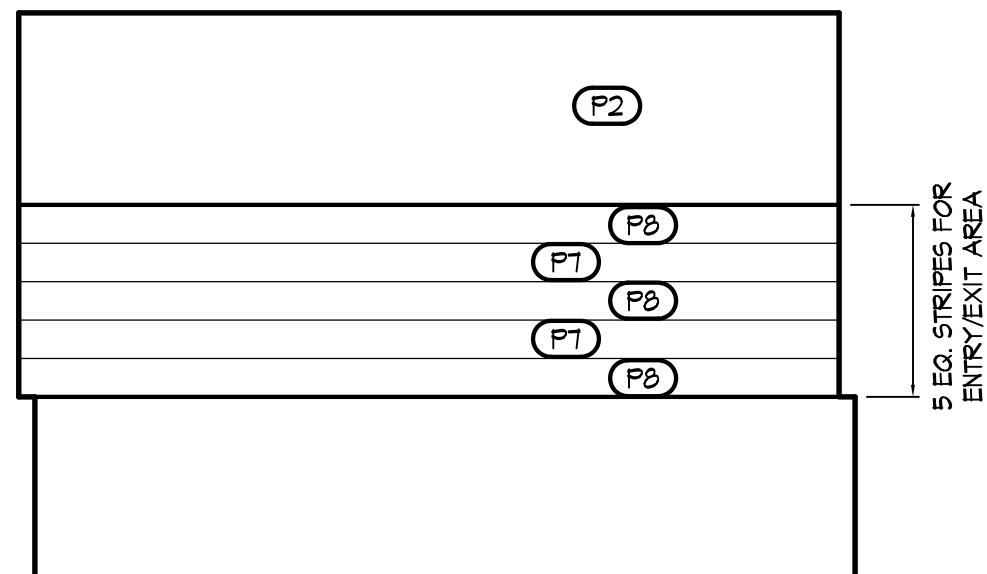
Entry/Exit
Enlarged
Elevations

E1.1



A
ELEV. | E.I.1
GENERAL SALES AREA ELEVATION

1/4"=1'-0"



B
ELEV. | E.I.1
ENTRY ELEVATION

1/4"=1'-0"



Defense
Commissary
Agency
Lackland AFB, Texas
Fort Lee, Virginia

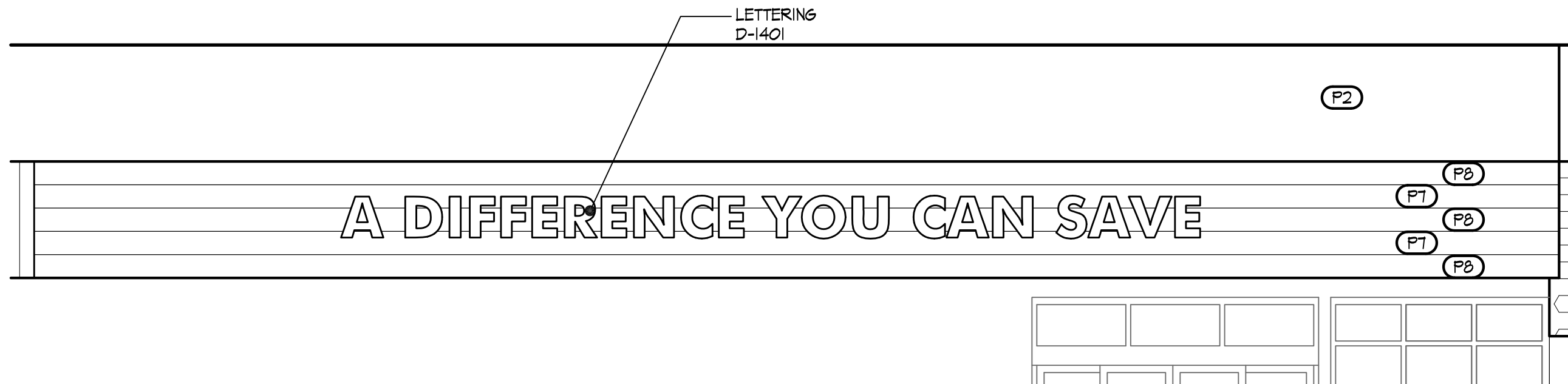
© COPYRIGHT 2009
THIS DOCUMENT IS THE PROPERTY OF THE DEFENSE
COMMISSARY AGENCY AND NO PART HEREIN SHALL BE
USED WITHOUT THE CONSENT OF THE DEFENSE
COMMISSARY AGENCY

DATE:	SOLICITATION ISSUE: 2-25-09
DATE:	CRITERIA ISSUE: 5-28-09
DATE:	
DATE:	

DeCA
Decor
2009

Entry/Exit
Enlarged
Elevations

E1.2



A ENTRY ELEVATION
ELEV. | E1.2

1/4"=1'-0"



B EXIT ELEVATION
ELEV. | E1.2

1/4"=1'-0"

WALL VINYL
D-1404



Defense
Commissary
Agency
Lackland AFB, Texas
Fort Lee, Virginia

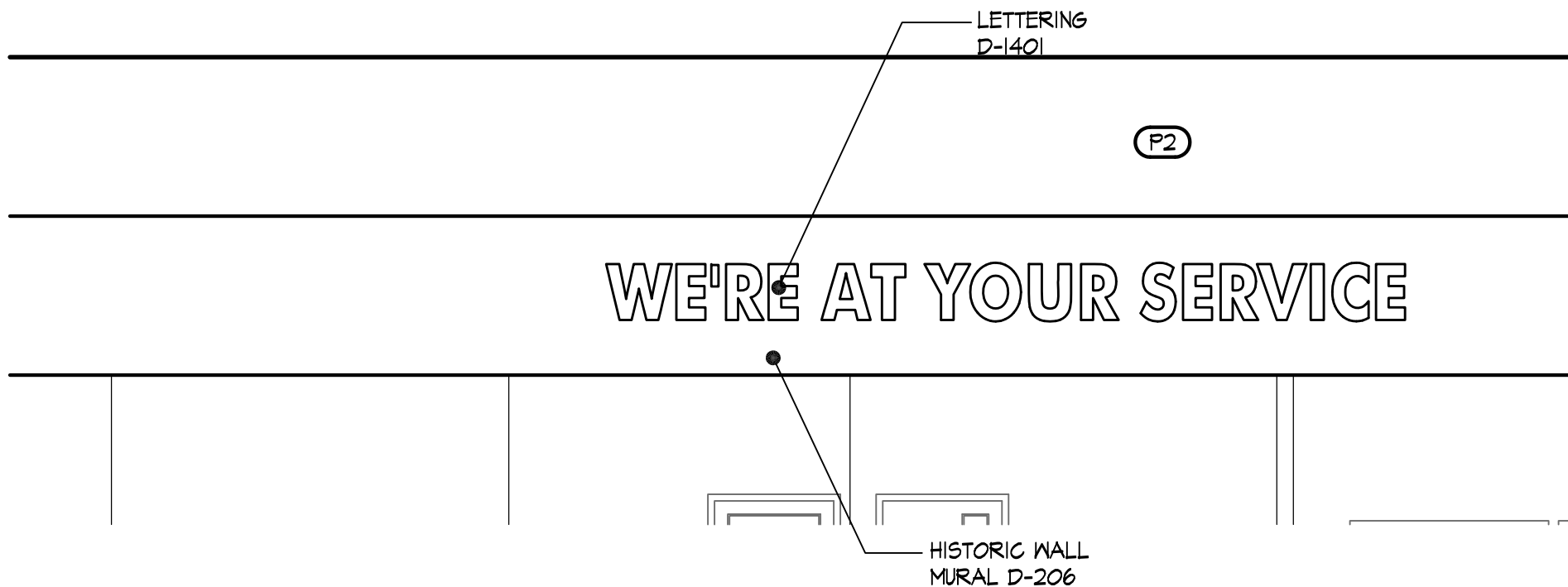
© COPYRIGHT 2009
THIS DOCUMENT IS THE PROPERTY OF THE DEFENSE
COMMISSARY AGENCY AND NO PART HEREIN SHALL BE
USED WITHOUT THE CONSENT OF THE DEFENSE
COMMISSARY AGENCY

DATE:	SOLICITATION ISSUE: 2-25-09
DATE:	CRITERIA ISSUE: 5-28-09
DATE:	
DATE:	

DeCA
Decor
2009

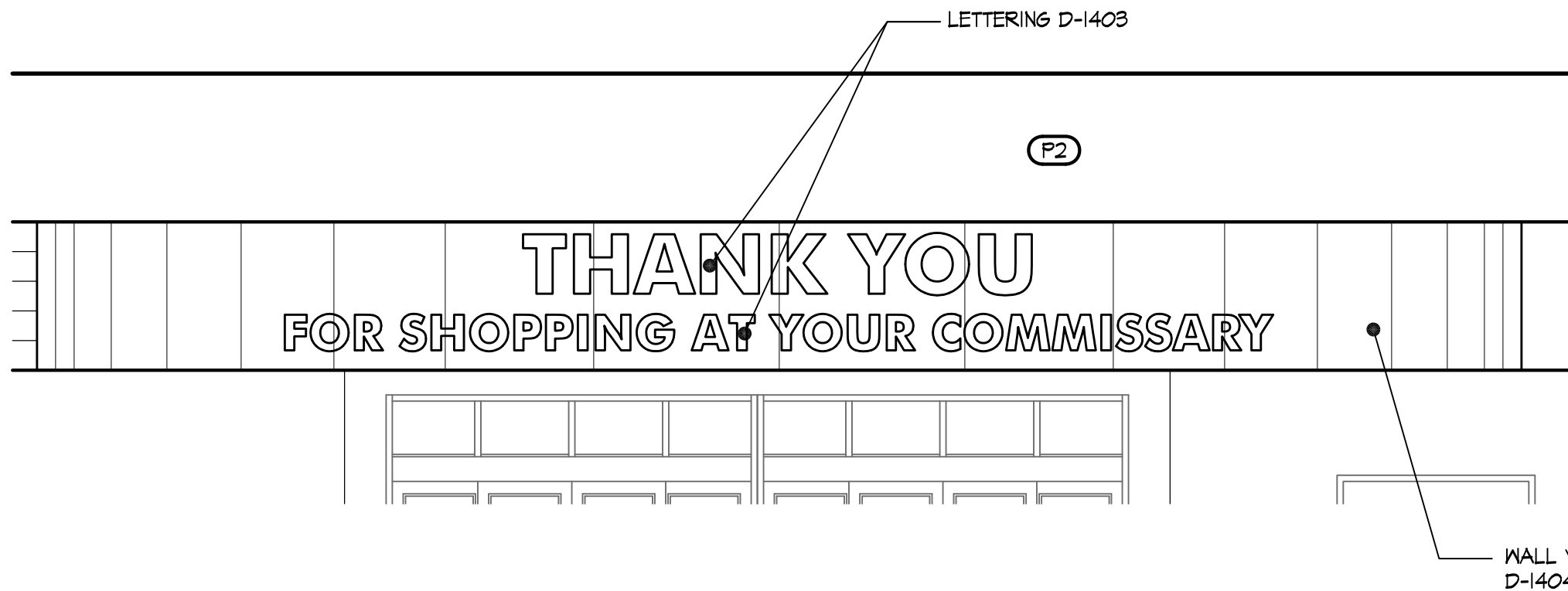
Entry/Exit
Enlarged
Elevations

E1.3



A CUSTOMER SERVICE ELEVATION
ELEV. E1.3

1/4"=1'-0"



B EXIT ELEVATION
ELEV. E1.3

1/4"=1'-0"



Defense
Commissary
Agency
Lackland AFB, Texas
Fort Lee, Virginia

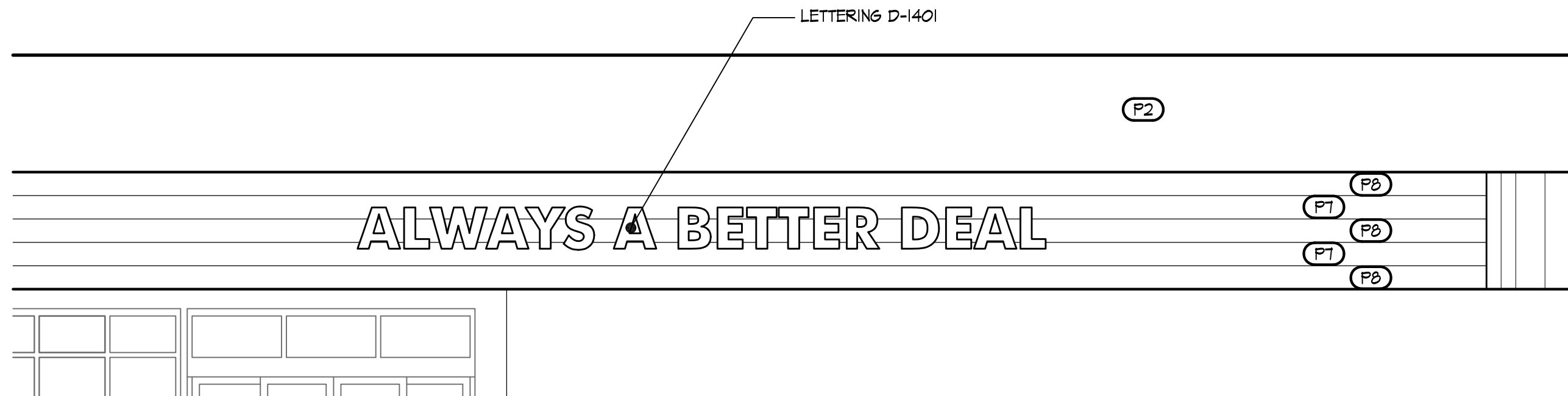
© COPYRIGHT 2009
THIS DOCUMENT IS THE PROPERTY OF THE DEFENSE
COMMISSARY AGENCY AND NO PART HEREIN SHALL BE
USED WITHOUT THE CONSENT OF THE DEFENSE
COMMISSARY AGENCY

DATE:	SOLICITATION ISSUE: 2-25-09
DATE:	CRITERIA ISSUE: 5-28-09
DATE:	
DATE:	

DeCA
Decor
2009

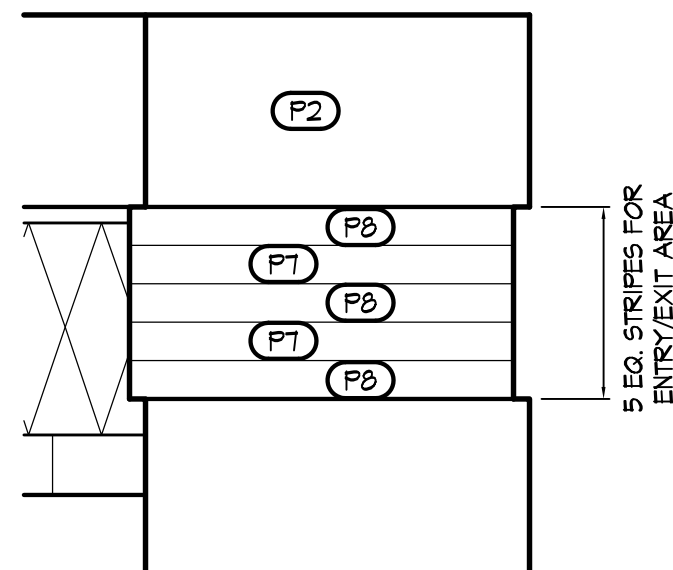
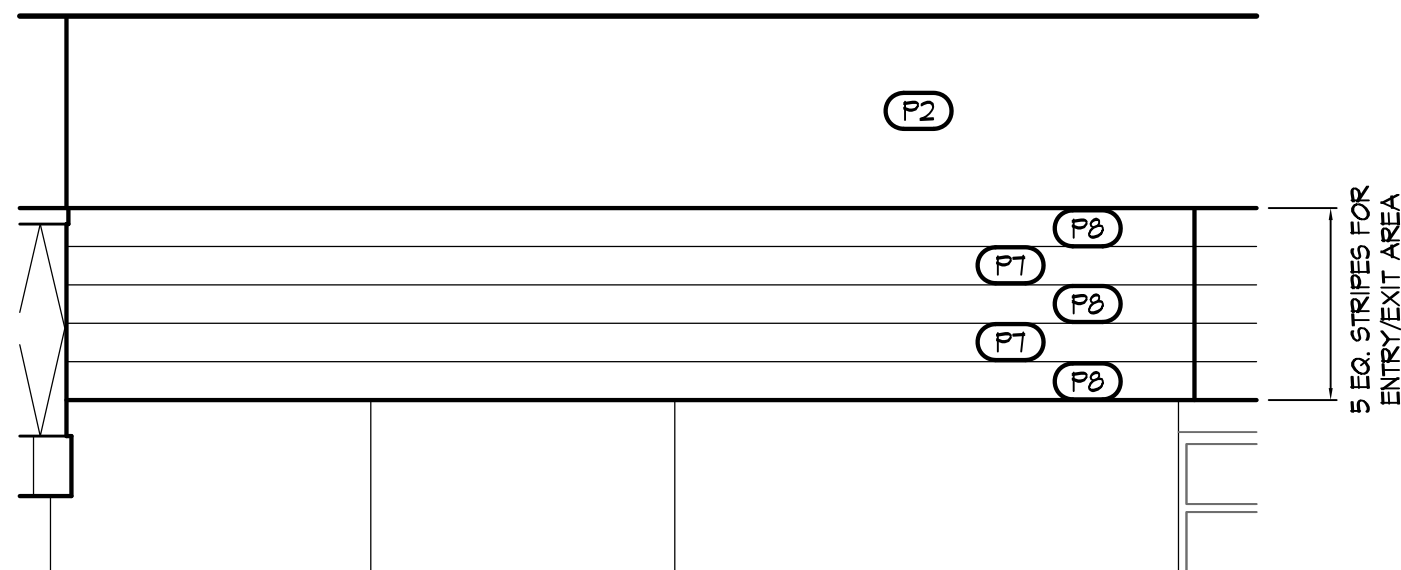
Entry/Exit
Enlarged
Elevations

E1.4



A ENTRY ELEVATION
ELEV. | E1.4

1/4"=1'-0"



B ENTRY ELEVATION
ELEV. | E1.4

1/4"=1'-0"

C ENTRY ELEVATION
ELEV. | E1.4

1/4"=1'-0"



Defense
Commissary
Agency
Lackland AFB, Texas
Fort Lee, Virginia

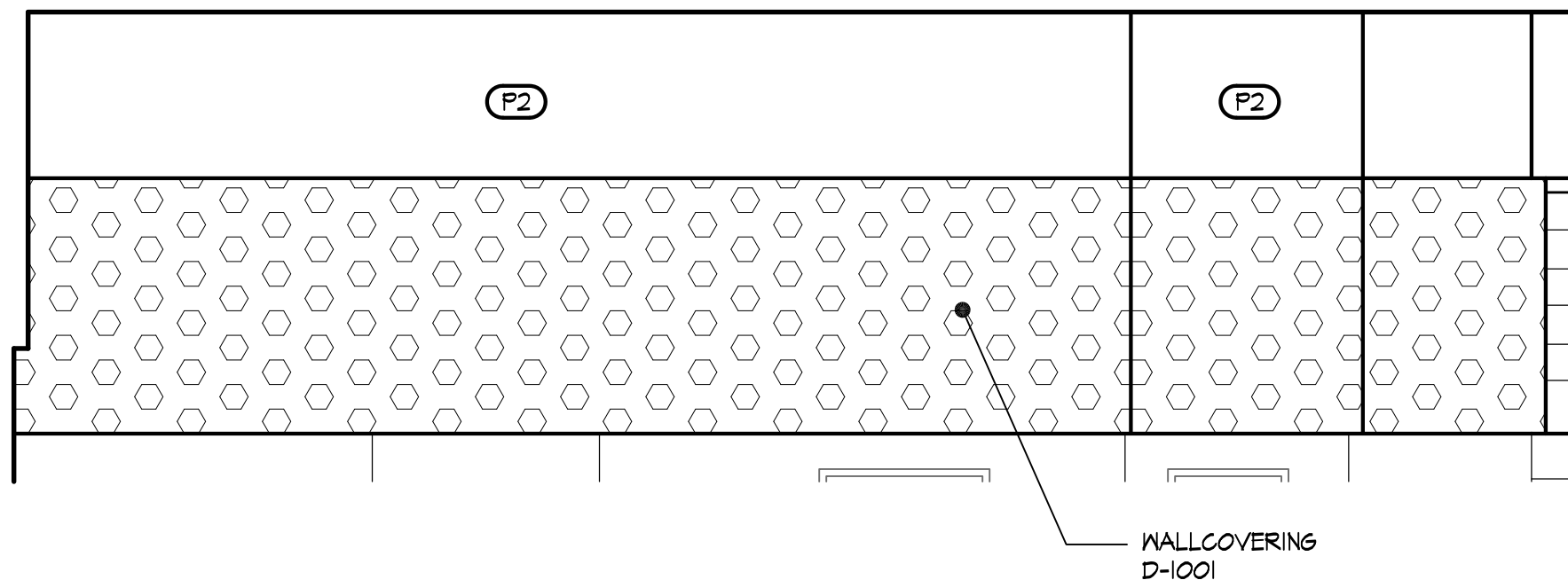
© COPYRIGHT 2009
THIS DOCUMENT IS THE PROPERTY OF THE DEFENSE
COMMISSARY AGENCY AND NO PART HEREIN SHALL BE
USED WITHOUT THE CONSENT OF THE DEFENSE
COMMISSARY AGENCY

DATE:	SOLICITATION ISSUE: 2-25-09
DATE:	CRITERIA ISSUE: 5-28-09
DATE:	
DATE:	

DeCA
Decor
2009

Entry/Exit
Enlarged
Elevations

E1.5



A
ELEV. | E1.5

ENTRY ELEVATION

1/4"=1'-0"



Defense Commissary Agency
Lackland AFB, Texas
Fort Lee, Virginia

© COPYRIGHT 2009
THIS DOCUMENT IS THE PROPERTY OF THE DEFENSE COMMISSARY AGENCY AND NO PART HEREIN SHALL BE USED WITHOUT THE CONSENT OF THE DEFENSE COMMISSARY AGENCY

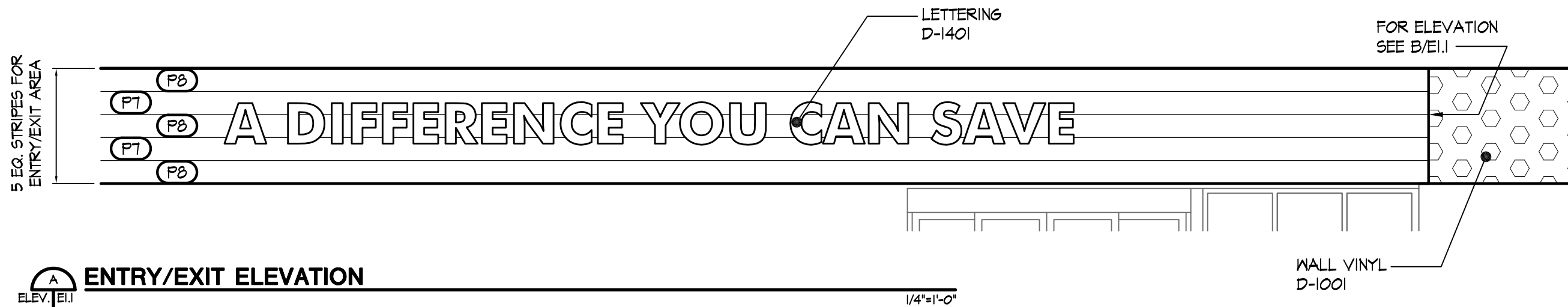
DATE:	SOLICITATION ISSUE: 2-25-09
DATE:	CRITERIA ISSUE: 5-28-09
DATE:	
DATE:	

DeCA
Decor
2009

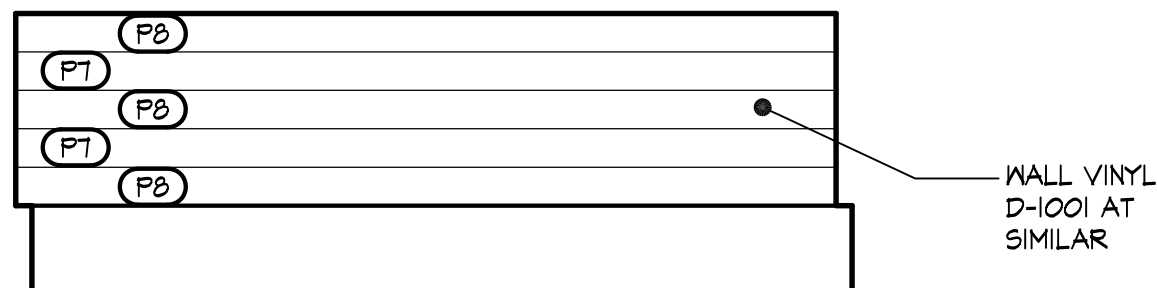
12' Ceiling

Entry/Exit
Enlarged
Elevations

E1.6



A
ELEV. | EI.1
ENTRY/EXIT ELEVATION



B
ELEV. | EI.1
ENTRY/EXIT ELEVATION



C
ELEV. | EI.1
ENTRY/EXIT ELEVATION



Defense
Commissary
Agency
Lackland AFB, Texas
Fort Lee, Virginia

© COPYRIGHT 2009
THIS DOCUMENT IS THE PROPERTY OF THE DEFENSE
COMMISSARY AGENCY AND NO PART HEREIN SHALL BE
USED WITHOUT THE CONSENT OF THE DEFENSE
COMMISSARY AGENCY

DATE:	SOLICITATION ISSUE: 2-25-09
DATE:	CRITERIA ISSUE: 5-28-09
DATE:	
DATE:	

DeCA
Decor
2009

12' Ceiling

Entry/Exit
Enlarged
Elevations

E1.7

WE'RE AT YOUR SERVICE

LETTERING
D-1401

HISTORIC WALL
MURAL D-206

A
ENTRY/EXIT ELEVATION
ELEV. E1.7

1/4"=1'-0"

ALWAYS A BETTER DEAL

LETTERING D-1401

REQ. STRIPES FOR
ENTRY/EXIT AREA

(P8)
(P7)
(P8)
(P7)
(P8)

B
ENTRY/EXIT ELEVATION
ELEV. E1.7

1/4"=1'-0"



Defense
Commissary
Agency
Lackland AFB, Texas
Fort Lee, Virginia

© COPYRIGHT 2009

THIS DOCUMENT IS THE PROPERTY OF THE DEFENSE
COMMISSARY AGENCY AND NO PART HEREIN SHALL BE
USED WITHOUT THE CONSENT OF THE DEFENSE
COMMISSARY AGENCY

DATE: SOLICITATION ISSUE: 2-25-09

DATE: CRITERIA ISSUE: 5-28-09

DATE:

DATE:

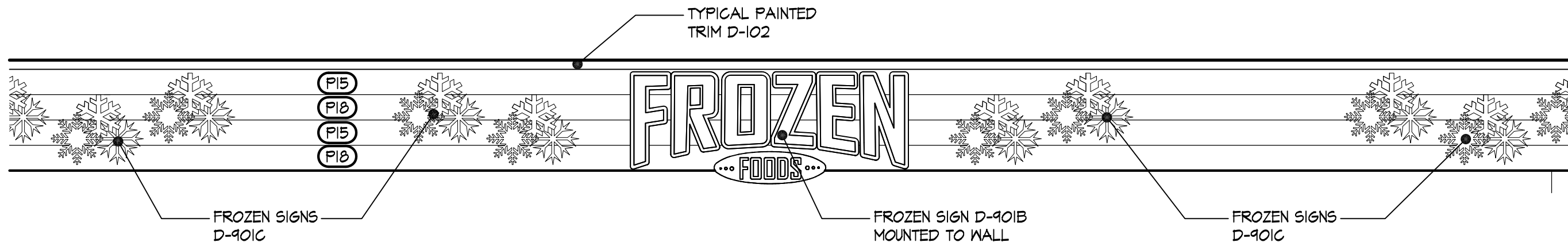
DATE:

DeCA
Decor
2009

12' Ceiling

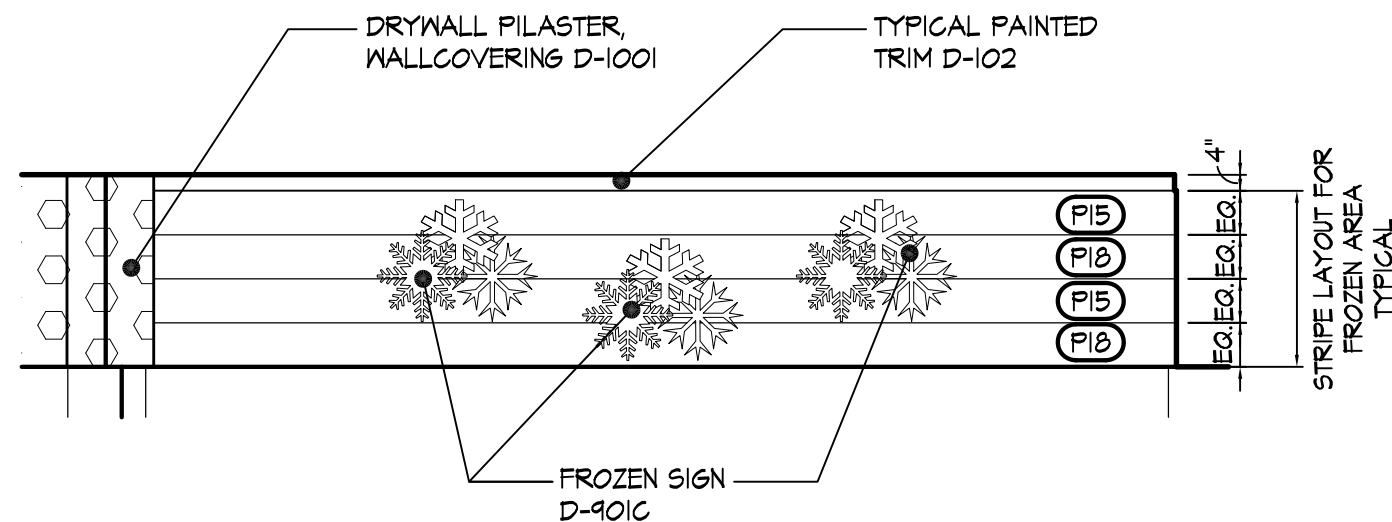
Frozen
Enlarged
Elevations

F1.2



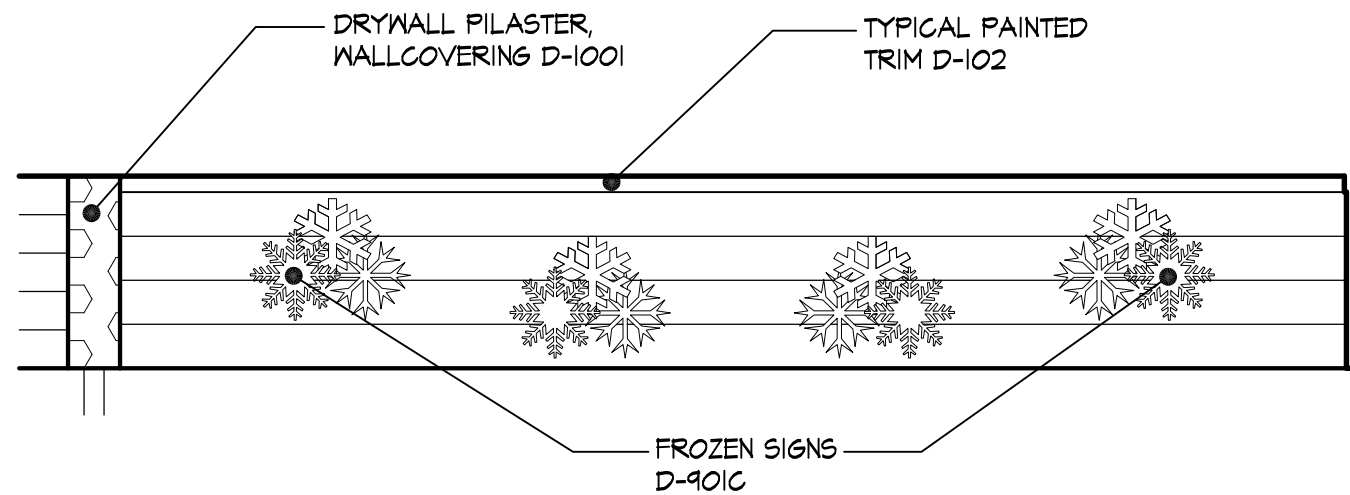
A
ELEV. F.I.1
FROZEN FOOD ELEVATION

1/4"=1'-0"



B
ELEV. F.I.1
FROZEN FOOD ELEVATION

1/4"=1'-0"



C
ELEV. F.I.1
FROZEN FOOD ELEVATION

1/4"=1'-0"



Defense
Commissary
Agency
Lackland AFB, Texas
Fort Lee, Virginia

© COPYRIGHT 2009
THIS DOCUMENT IS THE PROPERTY OF THE DEFENSE
COMMISSARY AGENCY AND NO PART HEREIN SHALL BE
USED WITHOUT THE CONSENT OF THE DEFENSE
COMMISSARY AGENCY

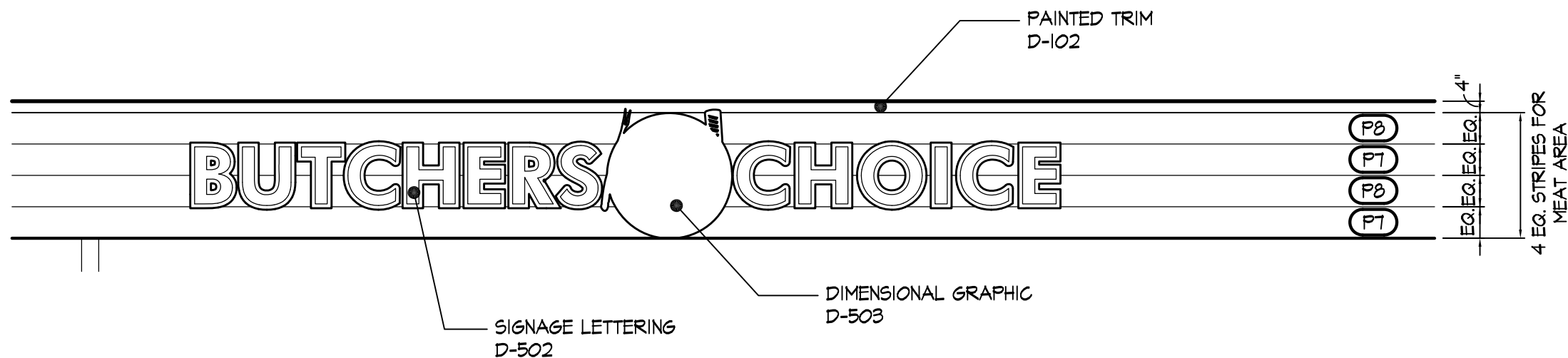
DATE:	SOLICITATION ISSUE: 2-25-09
DATE:	CRITERIA ISSUE: 5-28-09
DATE:	
DATE:	

DeCA
Decor
2009

12' Ceiling

Meat
Enlarged
Elevations

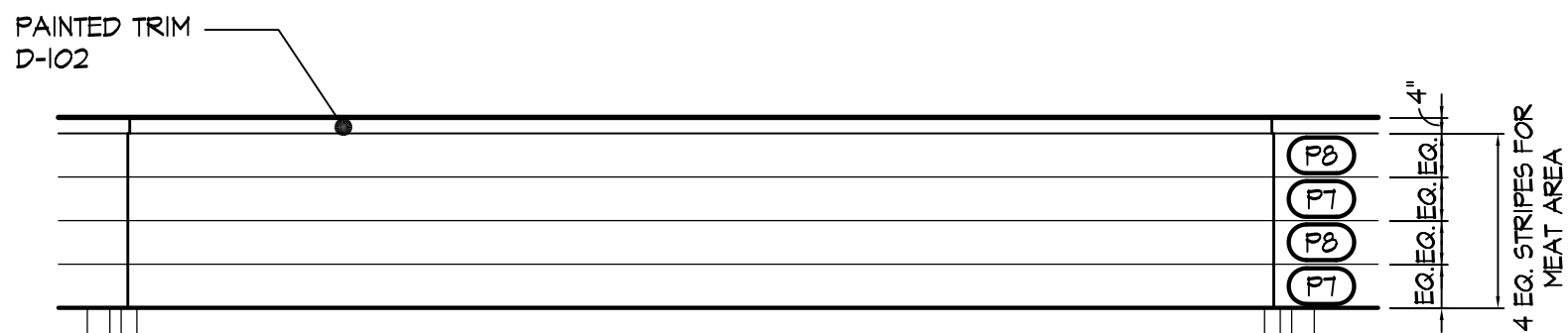
M1.2



A
MEAT ELEVATION
ELEV. M1.3



B
MEAT ELEVATION
ELEV. M1.3



C
MEAT ELEVATION
ELEV. M1.3



Defense
Commissary
Agency
Lackland AFB, Texas
Fort Lee, Virginia

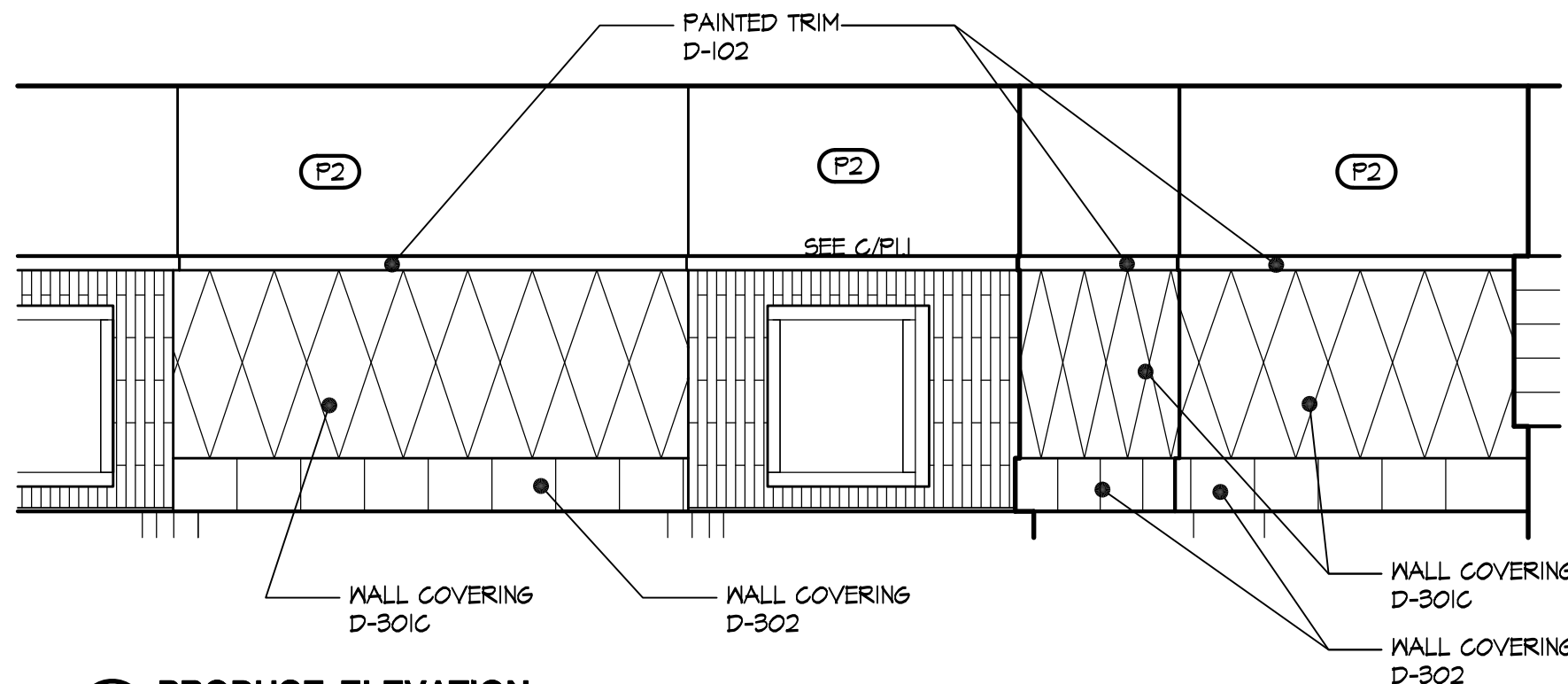
© COPYRIGHT 2009
THIS DOCUMENT IS THE PROPERTY OF THE DEFENSE
COMMISSARY AGENCY AND NO PART HEREIN SHALL BE
USED WITHOUT THE CONSENT OF THE DEFENSE
COMMISSARY AGENCY

DATE:	SOLICITATION ISSUE: 2-25-09
DATE:	CRITERIA ISSUE: 5-28-09
DATE:	
DATE:	

DeCA
Decor
2009

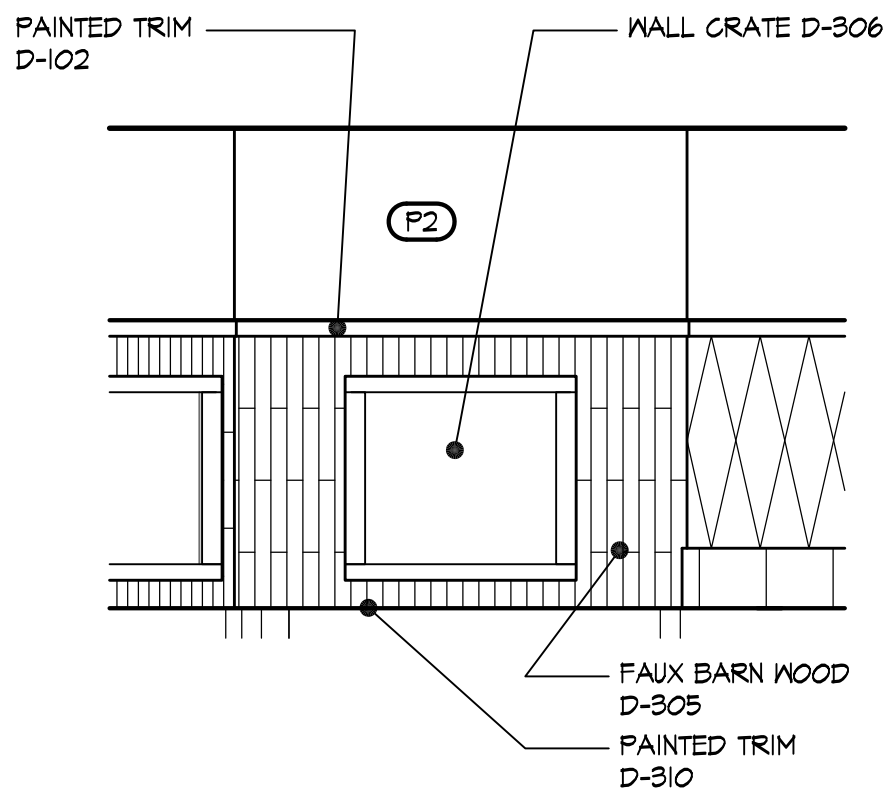
Produce
Enlarged
Elevations

P1.1



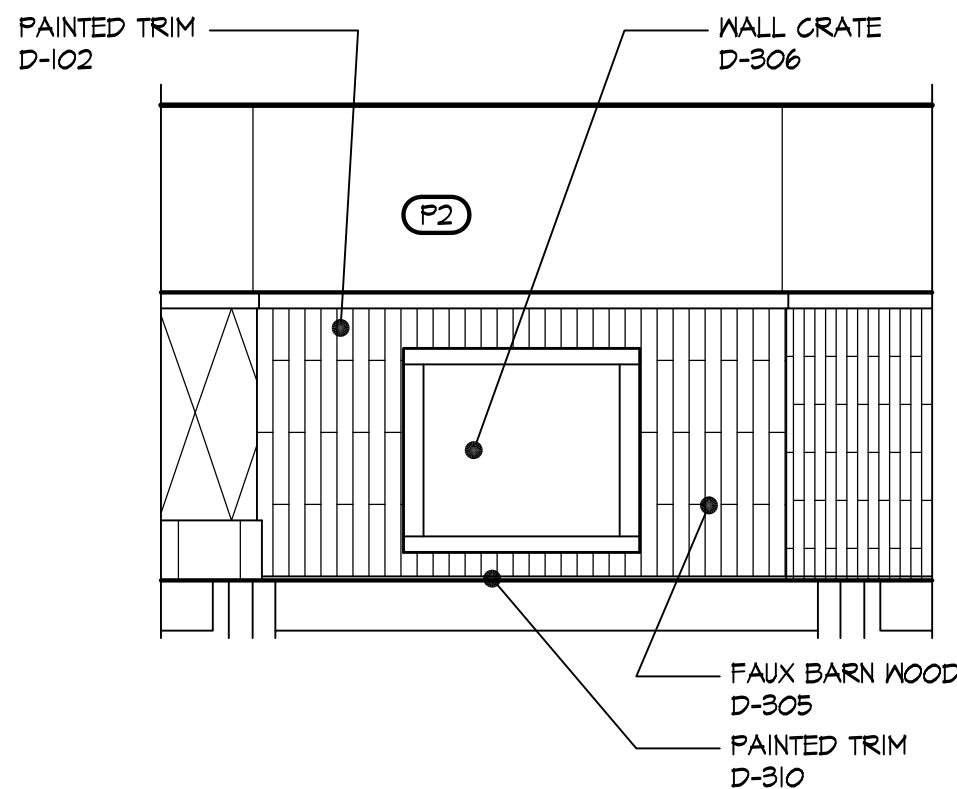
PRODUCE ELEVATION

1/4"=1'-0"



PRODUCE ELEVATION

1/4"=1'-0"



PRODUCE ELEVATION

1/4"=1'-0"



Defense
Commissary
Agency
Lackland AFB, Texas
Fort Lee, Virginia

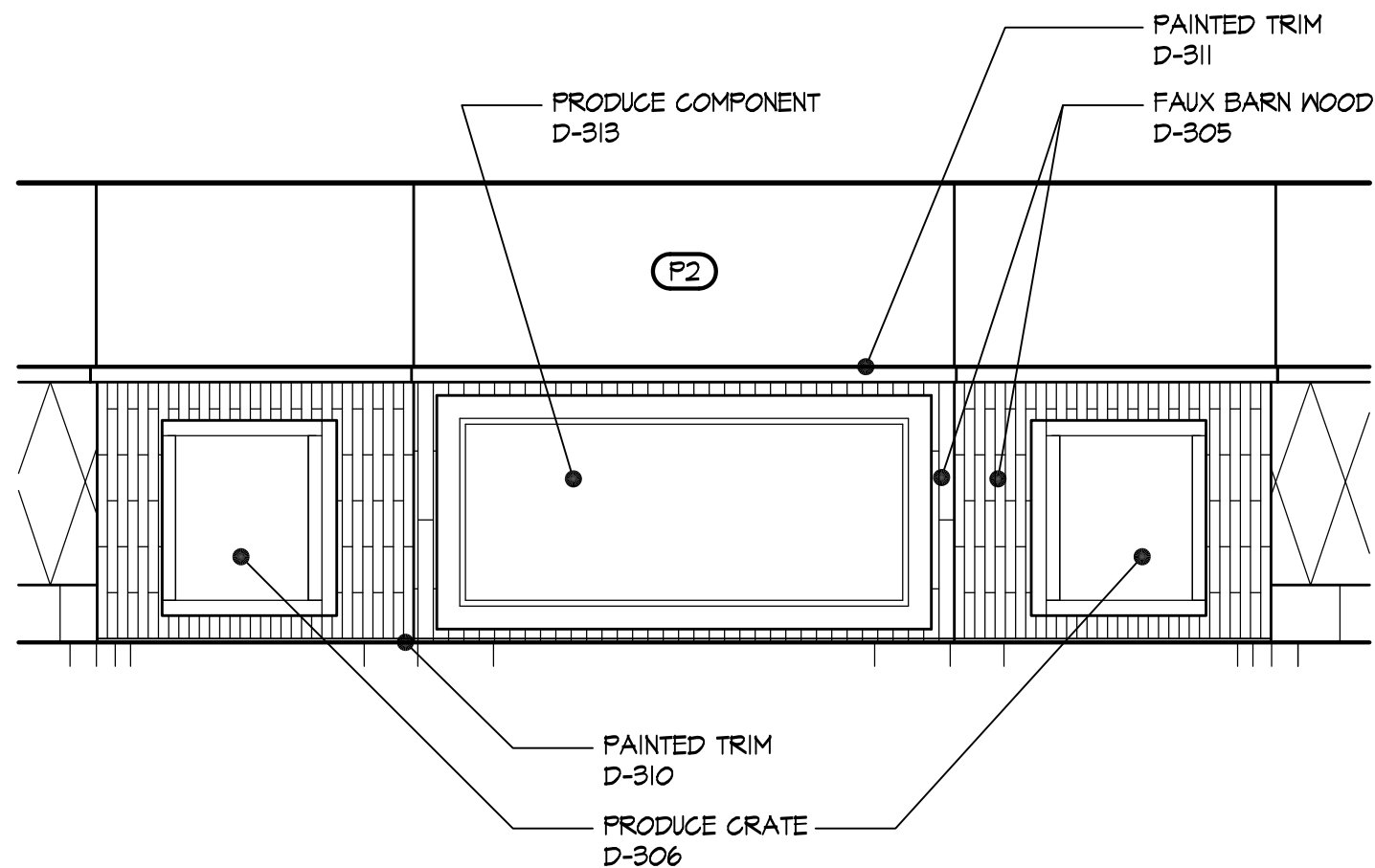
© COPYRIGHT 2009
THIS DOCUMENT IS THE PROPERTY OF THE DEFENSE
COMMISSARY AGENCY AND NO PART HEREIN SHALL BE
USED WITHOUT THE CONSENT OF THE DEFENSE
COMMISSARY AGENCY

DATE:	SOLICITATION ISSUE: 2-25-09
DATE:	CRITERIA ISSUE: 5-28-09
DATE:	
DATE:	

DeCA
Decor
2009

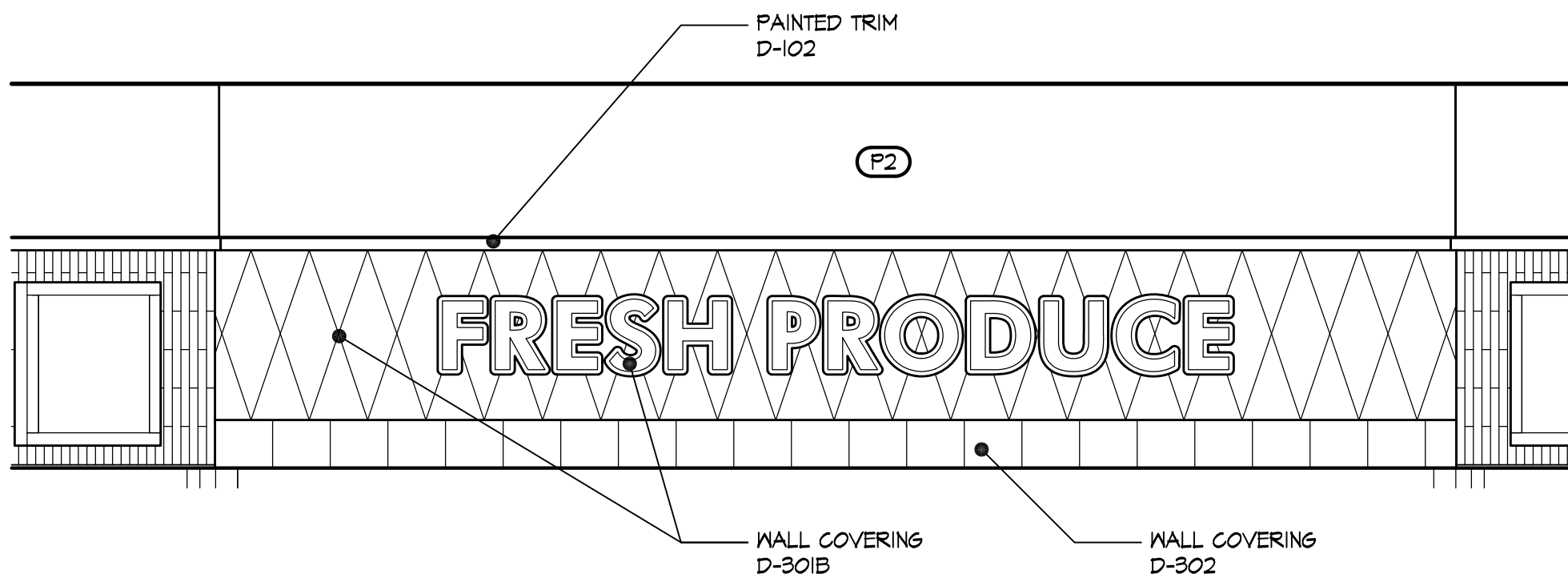
Produce
Enlarged
Elevations

P1.2



A
ELEV. | P1.2
PRODUCE ELEVATION

1/4"=1'-0"



B
ELEV. | P1.2
PRODUCE ELEVATION

1/4"=1'-0"



Defense
Commissary
Agency
Lackland AFB, Texas
Fort Lee, Virginia

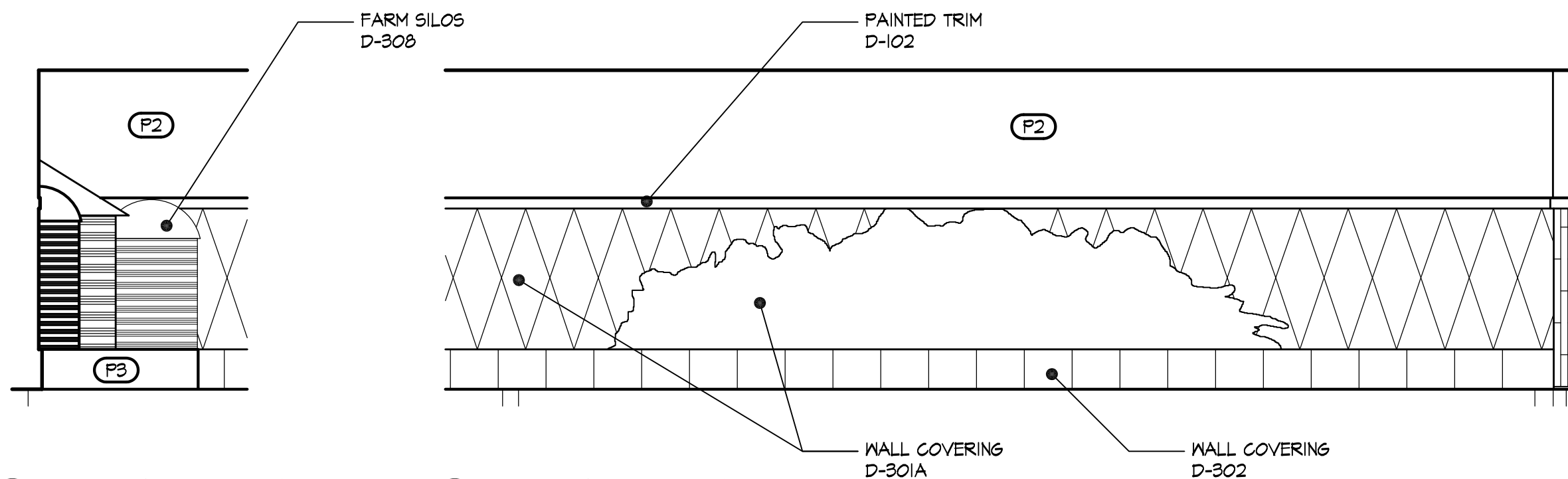
© COPYRIGHT 2009
THIS DOCUMENT IS THE PROPERTY OF THE DEFENSE
COMMISSARY AGENCY AND NO PART HEREIN SHALL BE
USED WITHOUT THE CONSENT OF THE DEFENSE
COMMISSARY AGENCY

DATE:	SOLICITATION ISSUE: 2-25-09
DATE:	CRITERIA ISSUE: 5-28-09
DATE:	
DATE:	

DeCA
Decor
2009

Produce
Enlarged
Elevations

P1.3



A
ELEV. | P1.3
PRODUCE ELEVATION
1/4"=1'-0"

B
ELEV. | P1.3
PRODUCE ELEVATION
1/4"=1'-0"



Defense
Commissary
Agency
Lackland AFB, Texas
Fort Lee, Virginia

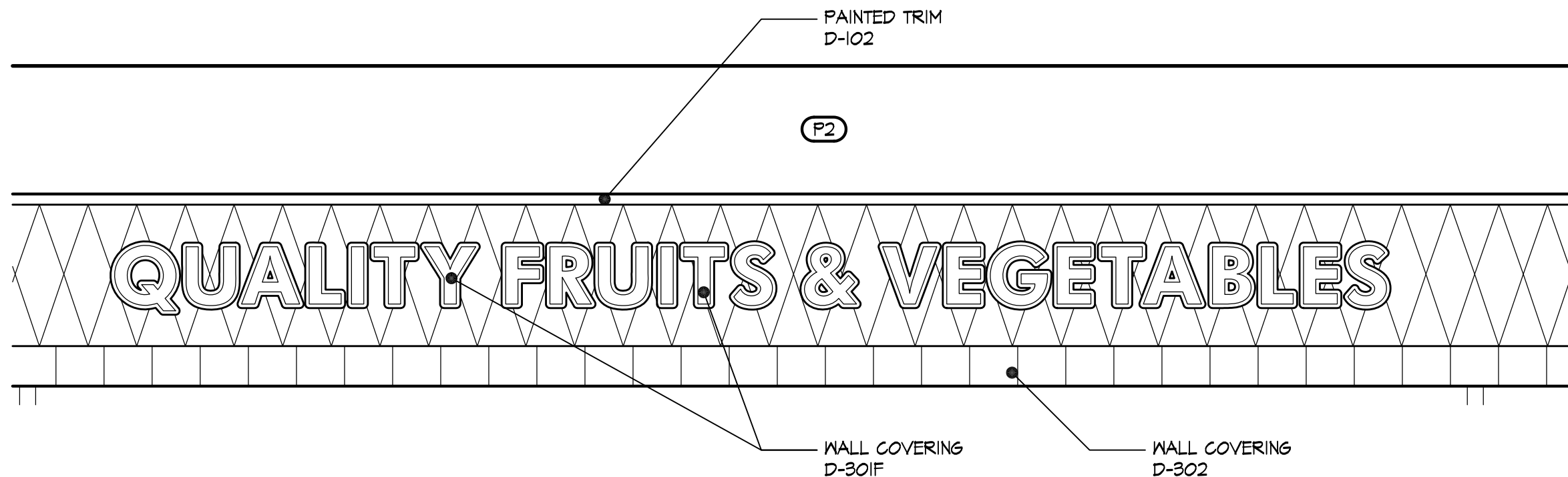
© COPYRIGHT 2009
THIS DOCUMENT IS THE PROPERTY OF THE DEFENSE
COMMISSARY AGENCY AND NO PART HEREIN SHALL BE
USED WITHOUT THE CONSENT OF THE DEFENSE
COMMISSARY AGENCY

DATE:	SOLICITATION ISSUE: 2-25-09
DATE:	CRITERIA ISSUE: 5-28-09
DATE:	
DATE:	

DeCA
Decor
2009

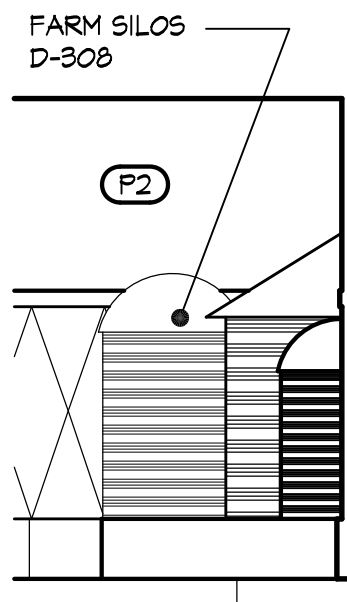
Produce
Enlarged
Elevations

P1.4



A
ELEV. | P1.4
PRODUCE ELEVATION

1/4"=1'-0"



B
ELEV. | P1.4
PRODUCE ELEVATION

1/4"=1'-0"



Defense
Commissary
Agency
Lackland AFB, Texas
Fort Lee, Virginia

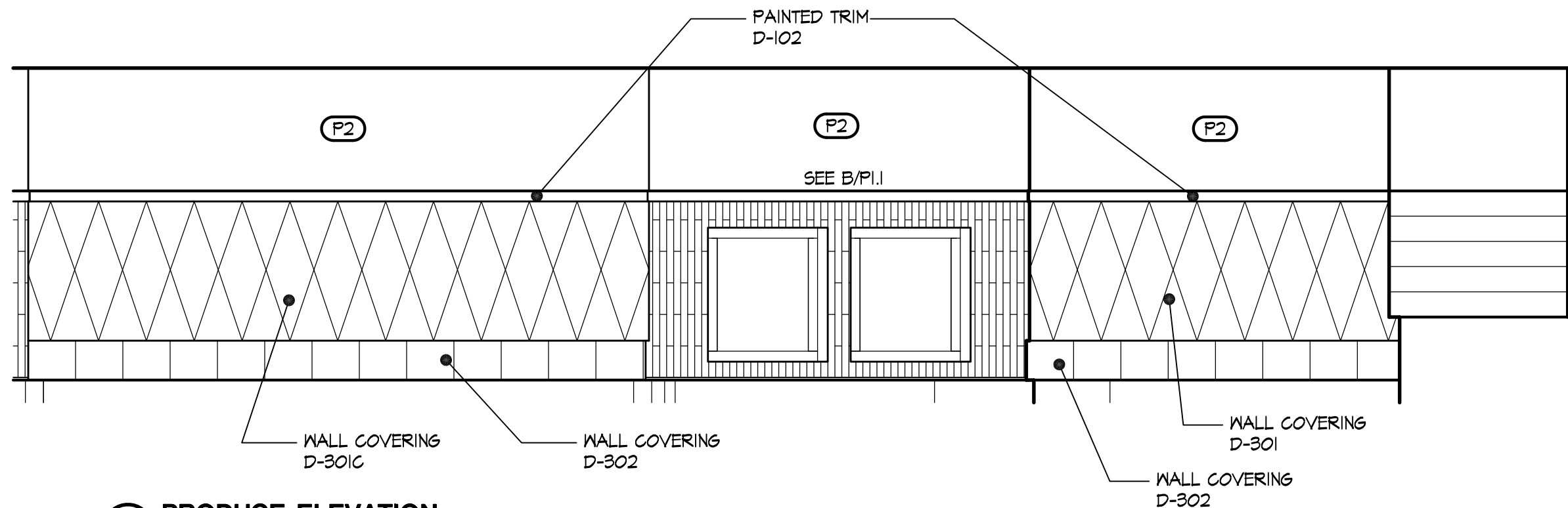
© COPYRIGHT 2009
THIS DOCUMENT IS THE PROPERTY OF THE DEFENSE
COMMISSARY AGENCY AND NO PART HEREIN SHALL BE
USED WITHOUT THE CONSENT OF THE DEFENSE
COMMISSARY AGENCY

DATE:	SOLICITATION ISSUE: 2-25-09
DATE:	CRITERIA ISSUE: 5-28-09
DATE:	
DATE:	

DeCA
Decor
2009

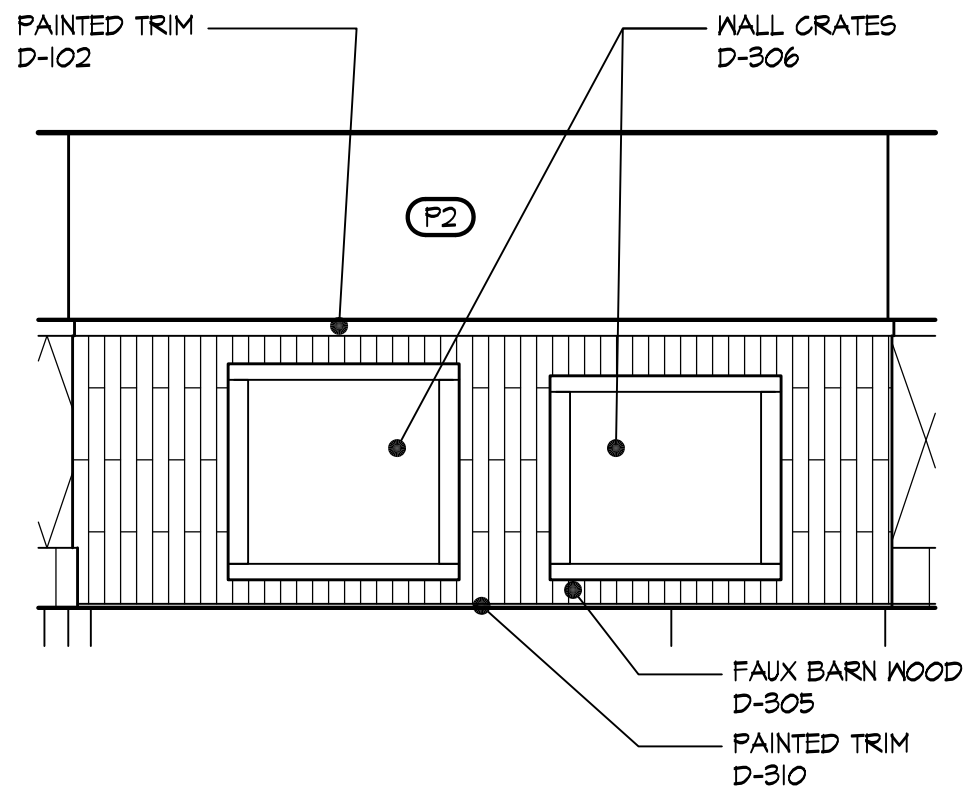
Produce
Enlarged
Elevations

P1.5



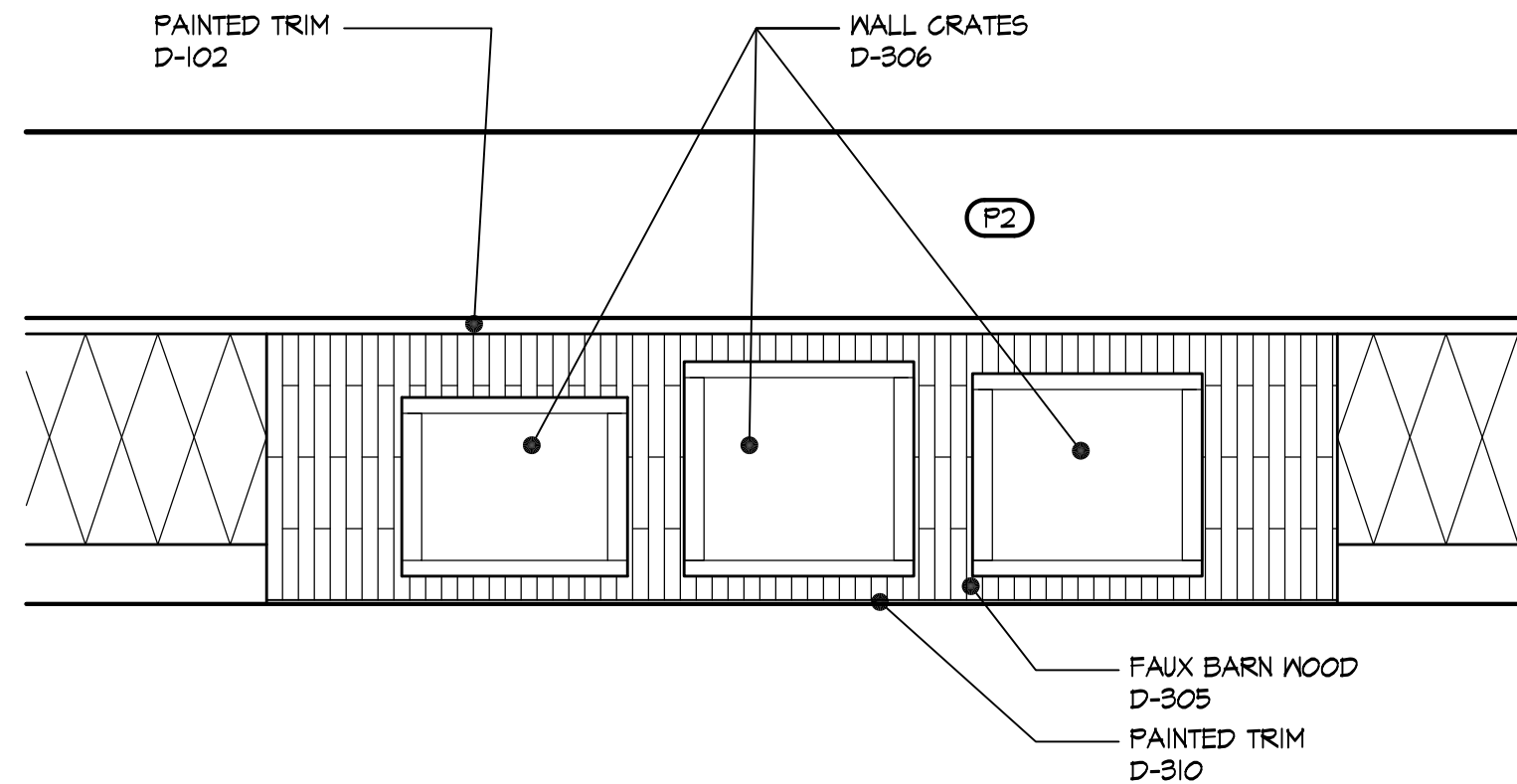
A
ELEV. | P1.5
PRODUCE ELEVATION

1/4"=1'-0"



B
ELEV. | P1.5
PRODUCE ELEVATION

1/4"=1'-0"



C
ELEV. | P1.5
PRODUCE ELEVATION

1/4"=1'-0"



Defense
Commissary
Agency
Lackland AFB, Texas
Fort Lee, Virginia

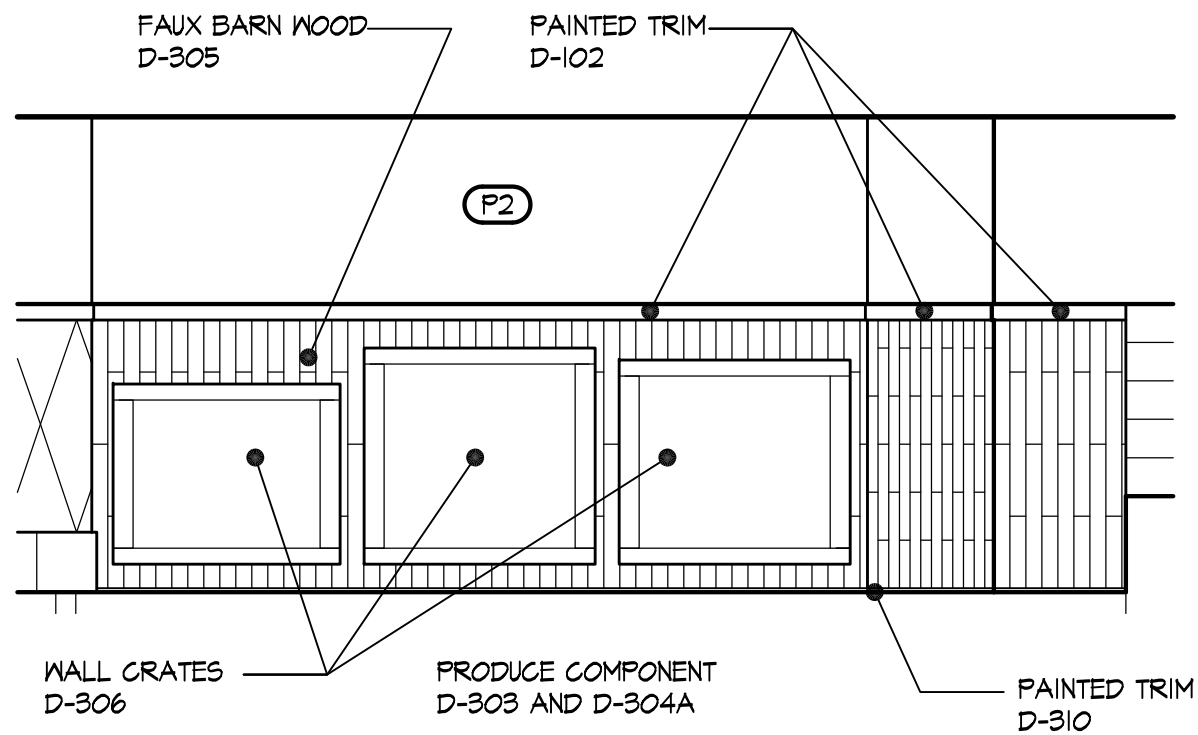
© COPYRIGHT 2009
THIS DOCUMENT IS THE PROPERTY OF THE DEFENSE
COMMISSARY AGENCY AND NO PART HEREIN SHALL BE
USED WITHOUT THE CONSENT OF THE DEFENSE
COMMISSARY AGENCY

DATE:	SOLICITATION ISSUE: 2-25-09
DATE:	CRITERIA ISSUE: 5-28-09
DATE:	
DATE:	

DeCA
Decor
2009

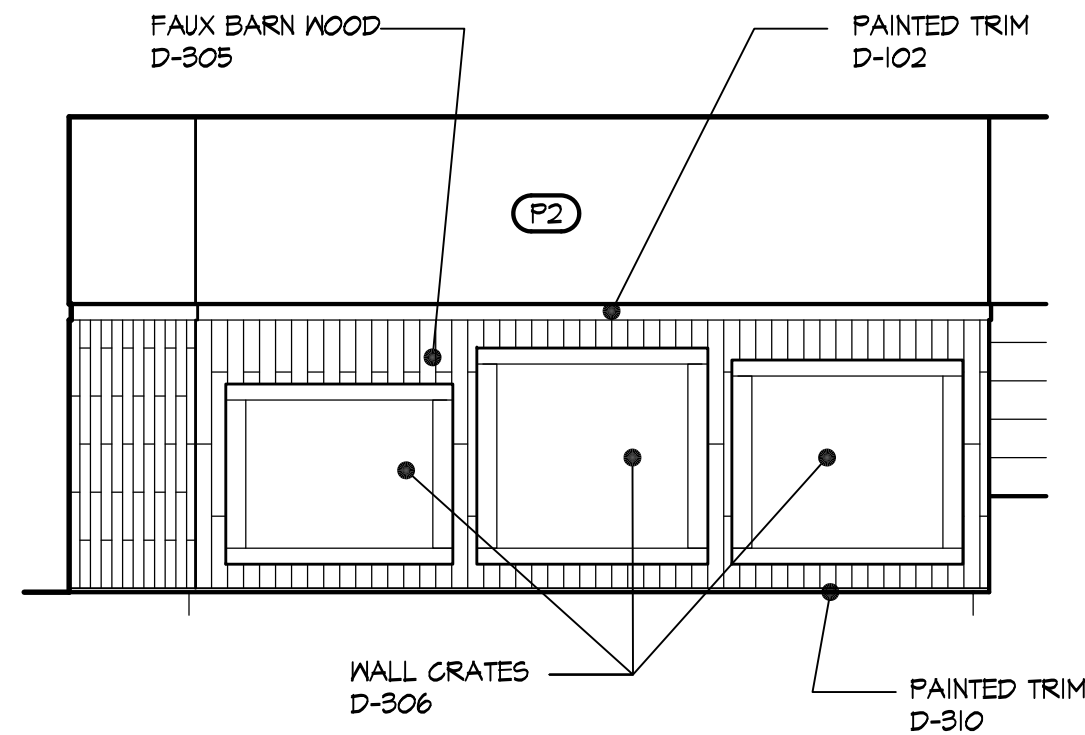
Produce
Enlarged
Elevations

P1.6



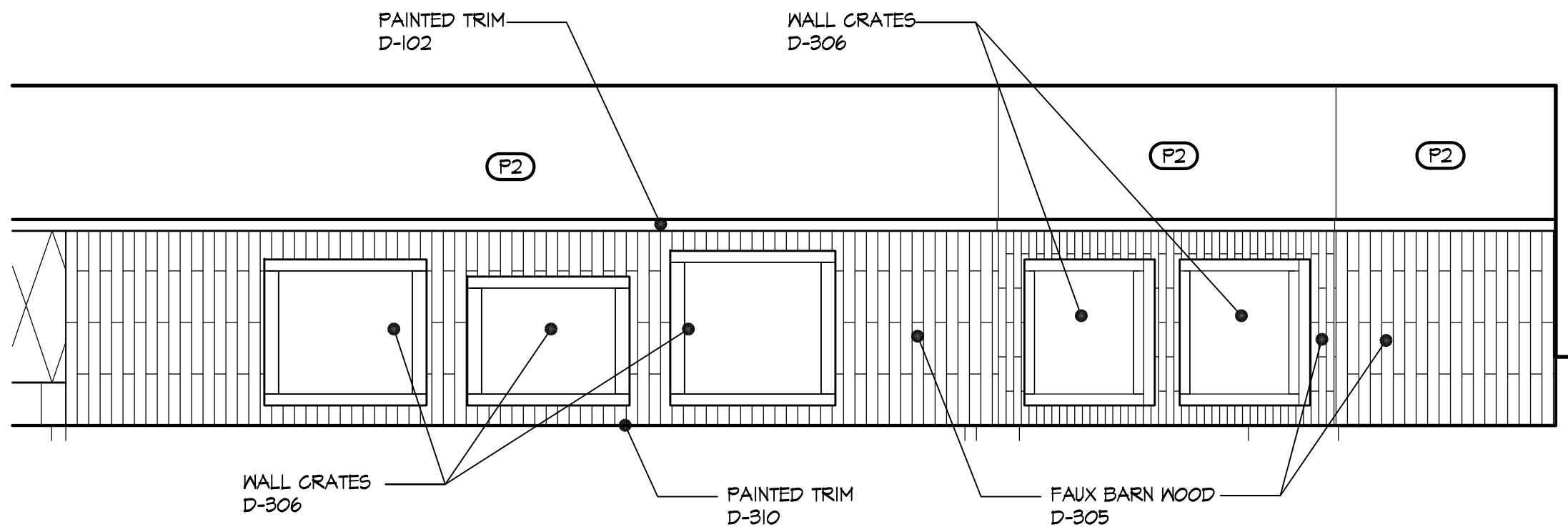
A
ELEV. | P1.6
PRODUCE ELEVATION

1/4"=1'-0"



B
ELEV. | P1.6
PRODUCE ELEVATION

1/4"=1'-0"



C
ELEV. | P1.6
PRODUCE ELEVATION

1/4"=1'-0"



Defense
Commissary
Agency
Lackland AFB, Texas
Fort Lee, Virginia

© COPYRIGHT 2009
THIS DOCUMENT IS THE PROPERTY OF THE DEFENSE
COMMISSARY AGENCY AND NO PART HEREIN SHALL BE
USED WITHOUT THE CONSENT OF THE DEFENSE
COMMISSARY AGENCY

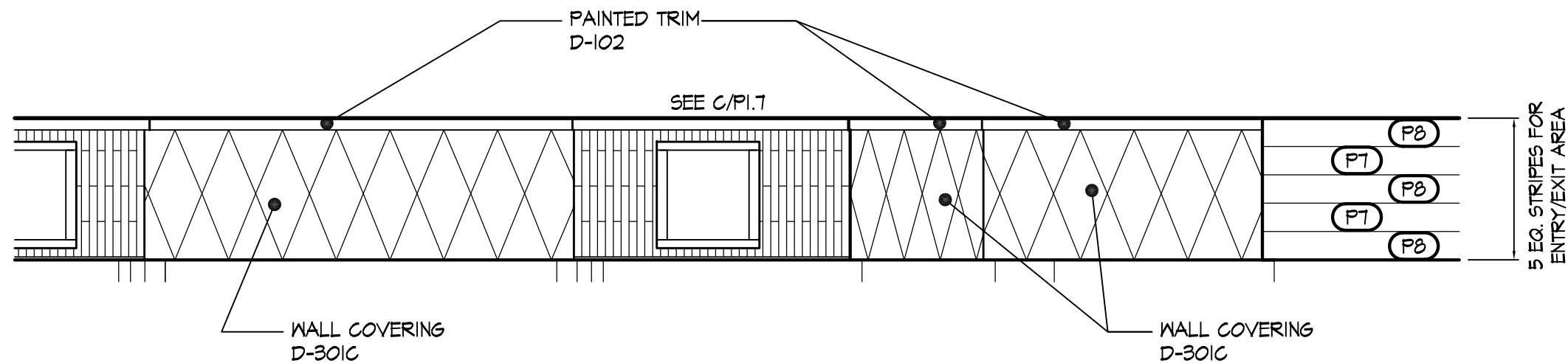
DATE:	SOLICITATION ISSUE: 2-25-09
DATE:	CRITERIA ISSUE: 5-28-09
DATE:	
DATE:	

DeCA
Decor
2009

12' Ceiling

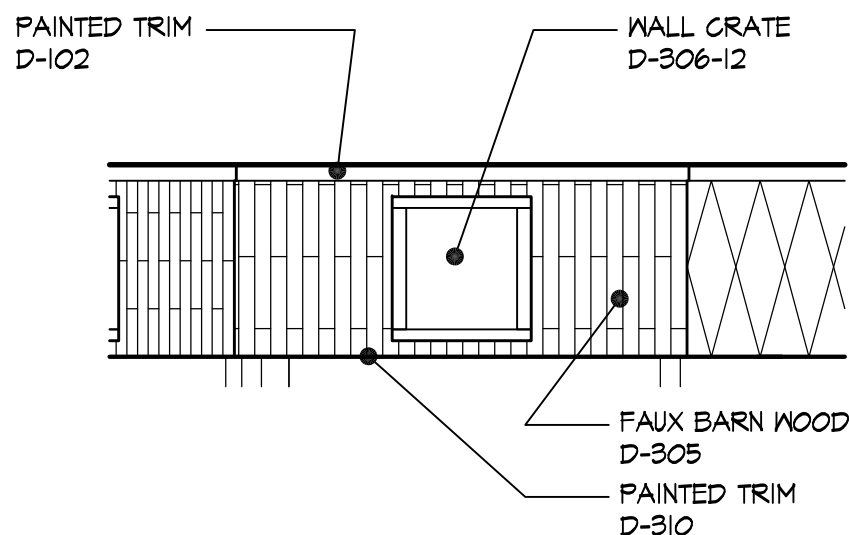
Produce
Enlarged
Elevations

P1.7



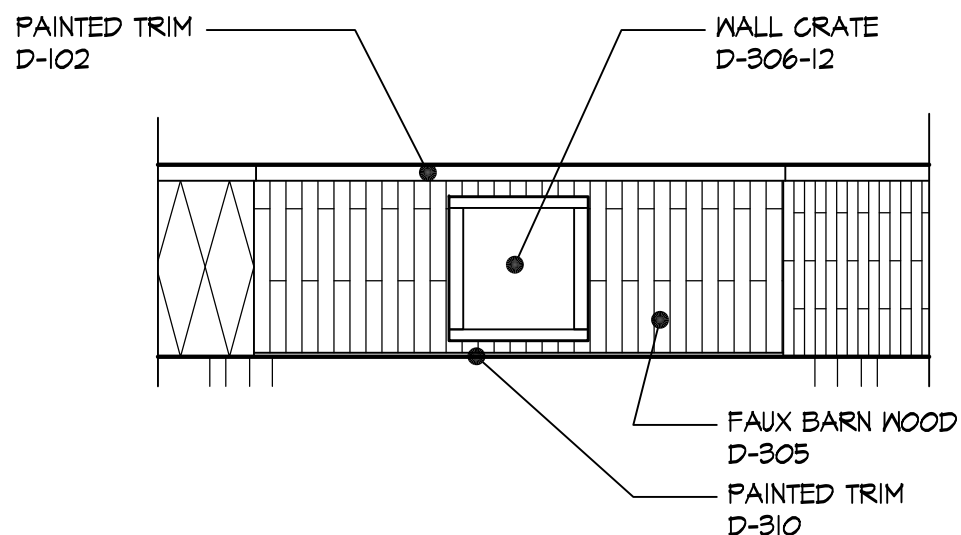
A
ELEV. | P1.7
PRODUCE ELEVATION

1/4"=1'-0"



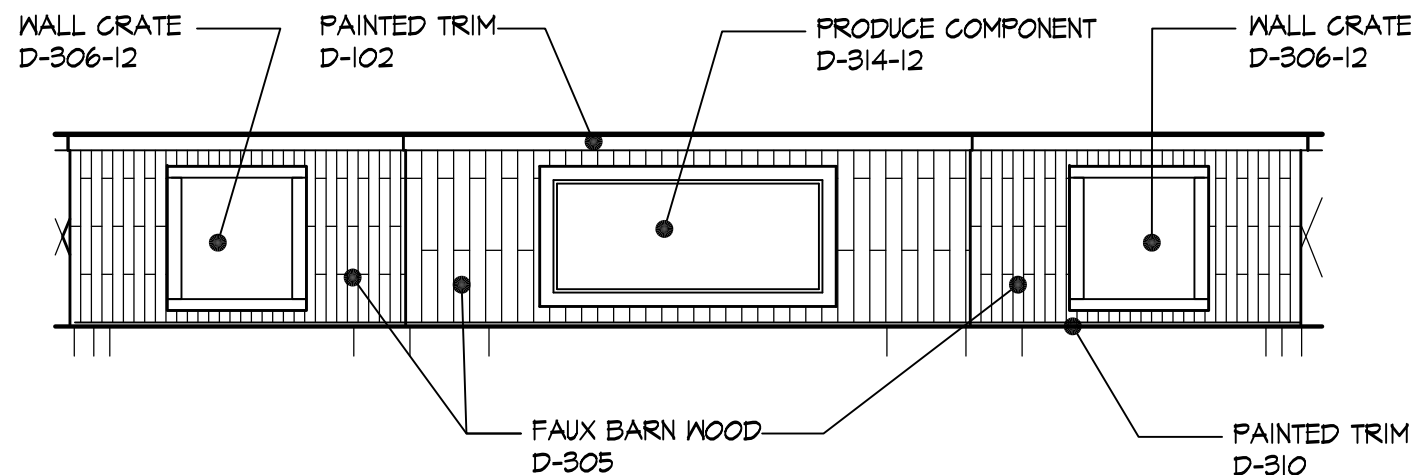
B
ELEV. | P1.7
PRODUCE ELEVATION

1/4"=1'-0"



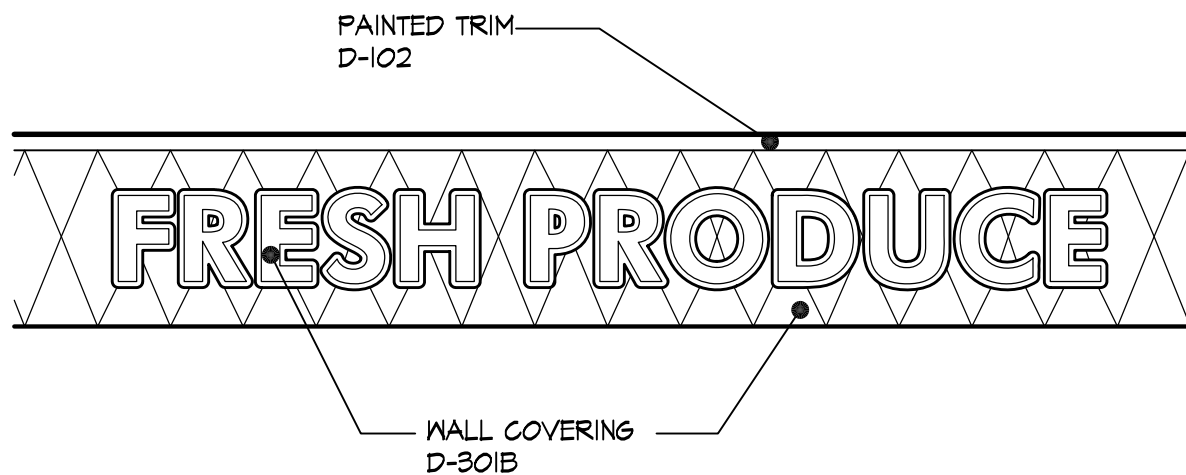
C
ELEV. | P1.7
PRODUCE ELEVATION

1/4"=1'-0"



D
ELEV. | P1.7
PRODUCE ELEVATION

1/4"=1'-0"



E
ELEV. | P1.7
PRODUCE ELEVATION

1/4"=1'-0"



Defense
Commissary
Agency
Lackland AFB, Texas
Fort Lee, Virginia

© COPYRIGHT 2009

THIS DOCUMENT IS THE PROPERTY OF THE DEFENSE COMMISSARY AGENCY AND NO PART HEREIN SHALL BE USED WITHOUT THE CONSENT OF THE DEFENSE COMMISSARY AGENCY

DATE: SOLICITATION ISSUE: 2-25-09

DATE: CRITERIA ISSUE: 5-28-09

DATE:

DATE:

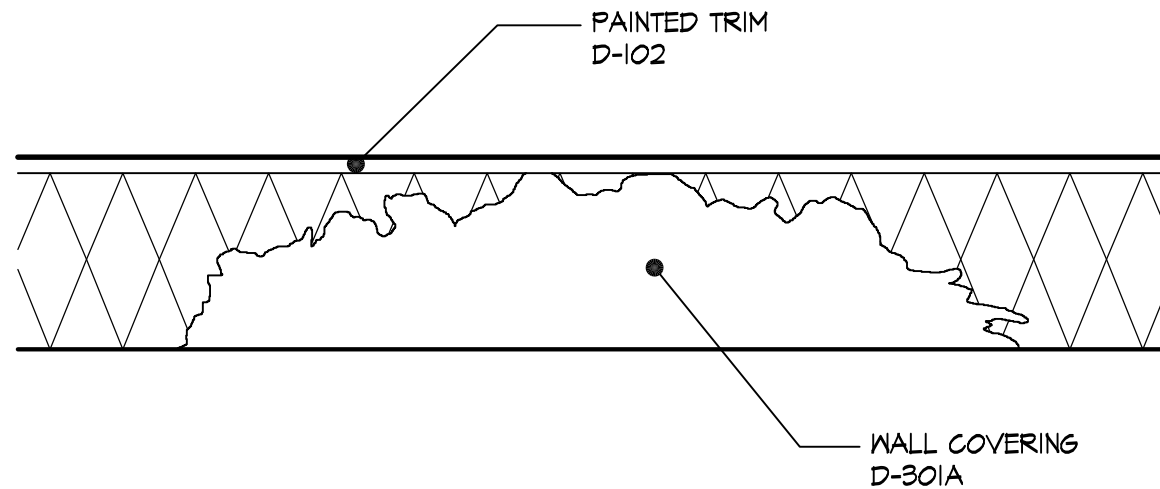
DATE:

DeCA
Decor
2009

12' Ceiling

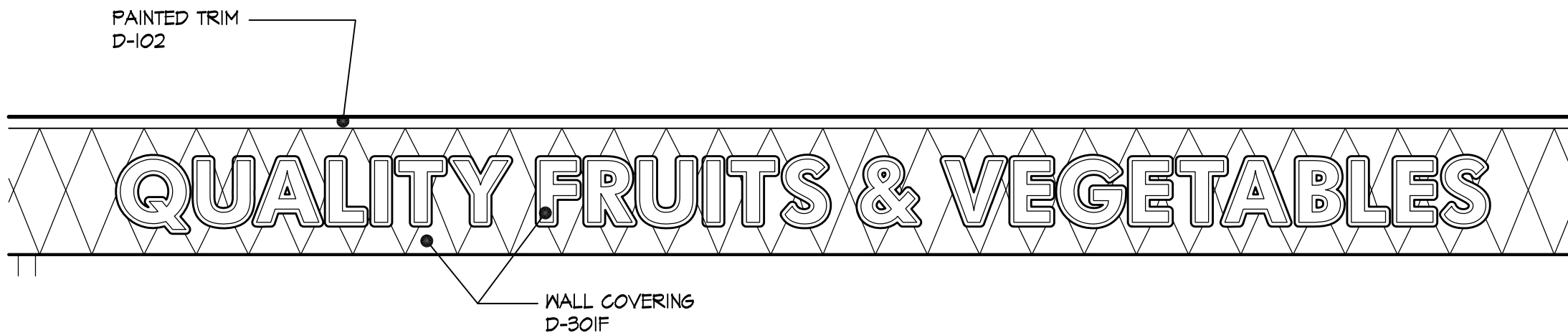
Produce
Enlarged
Elevations

P1.8



A
ELEV. | P1.8
PRODUCE ELEVATION

1/4"=1'-0"



B
ELEV. | P1.8
PRODUCE ELEVATION

1/4"=1'-0"

5

**Pickles
Mustards
Condiments
Hot Sauce
Flour
Cake Mix**

D-101

aisle directory product description panels

ADULT INCONTINENCE
AIR FRESHENERS
ANALGESICS
ANTACIDS/LAXATIVES
ASIAN FOOD
BABY DIAPERS
BABY FOOD
BABY FORMULA
BABY NEEDS/CARE
BACON
BAGS/WRAPS/FOILS
BAKING NEEDS
BATTERIES
BREAD
BBQ/STEAK SAUCE
CANNED BEANS
DRY BEANS
BEVERAGES
BIRD SEED
BLEACH/STARCH
BODY WASH/BAR SOAP
FROZEN BREAD
BREADS/SWEET GOODS
BREAKFAST BARS
INSTANT BREAKFAST
BUTTER/MARGARINE
CANDY
CAT FOODS
CAT LITTER
CLEANING SUPPLIES
CHARCOAL

COFFEE/TEA
COLD CEREAL
COLD CUTS
CONES/TOPPINGS
COOKIES/CRACKERS
CREAMERS/FILTERS
CLUB PACK
DEODORANT
DIET/HEALTH FOODS
FROZEN DINNERS
DISH DETERGENTS
DOG FOODS
EGGS
FROZEN ENTREES
FRENCH FRIES
FABRIC SOFTENER
FACIAL TISSUE
FEMININE HYGIENE
FIRST AID
CANNED FISH
FOIL PANS
FOOT CARE
FROZEN BREAKFAST
FRUIT SNACKS
CANNED FRUIT
DRY FRUIT
FROZEN FRUIT
GERMAN FOODS
GLOVES/SPONGES
GOURMET FOODS
CANNED GRAVY

GRAVY/SAUCE MIXES
HAIR CARE
HOT CEREAL
HOT COCOA MIX
HOUSEHOLD CLEANERS
ICE CREAM
INSECTICIDES
INTERNATIONAL
JAM/JELLY
JUICE
KETCHUP/MUSTARD
KITCHEN GADGETS
LAUNDRY SUPPLIES
LIGHT BULBS
HAND LOTION
MAYONNAISE
CANNED MEAT
FROZEN MEAT
MICROWAVE MEALS
MILK CANNED/DRY
MUSTARD
NAPKINS
SNACK NUTS
COOKING OIL
OLIVES
ORAL CARE
PANCAKE MIX/SYRUP
PAPER CUPS/PLATES
PAPER TOWELS
CANNED PASTA
DRY PASTA

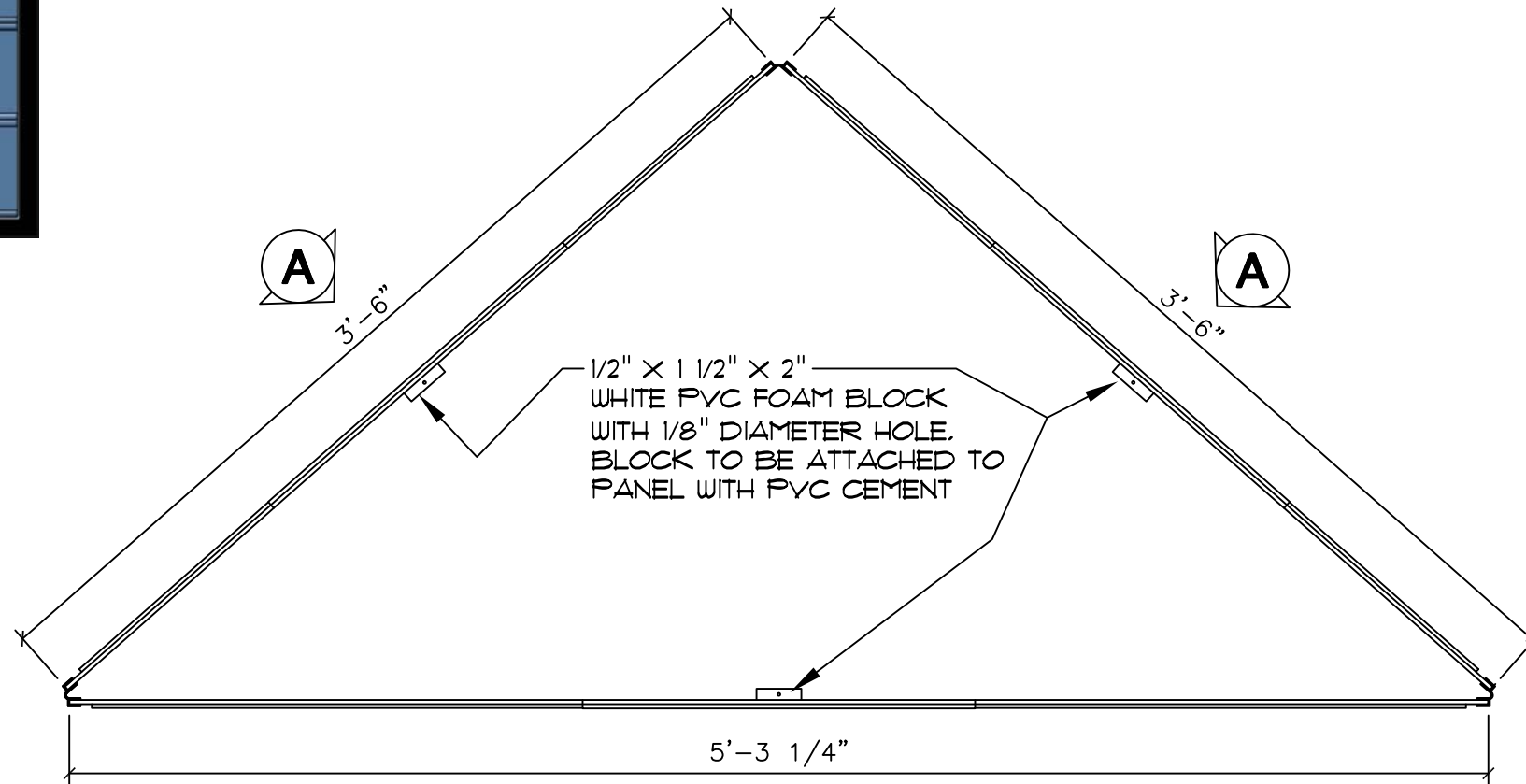
PEANUT BUTTER
PET NEEDS
PET TREATS
PICKLES
FROZEN PIZZA
POPCORN
POTATO CHIPS
FROZEN POTATOES
POTATOES/STUFFING
FROZEN POULTRY
POWDERED BEVERAGE
PREPARED DINNERS
PUDDINGS/GELATINS
RAMEN NOODLES
RICE
RICE CAKES
BAGGED SALAD
SALAD DRESSING
SALT / PEPPER
FROZEN SEA FOOD
SHAMPOO
SHAVING NEEDS
SHORTENING/OILS
SKILCRAFT
SKIN CARE
MISC SNACKS
SOUP CAN/DRY
SPAGHETTI SAUCE
SPICES/SUGAR
SUGAR SUBSTITUTE
TOASTER PASTRIES

TOILET TISSUE
TOMATO SAUCE/PASTE
CANNED VEGETABLES
FROZEN VEGETABLES
VINEGAR
VITAMINS
BOTTLED WATER
WAXES/POLISH

PROVIDE THE FOLLOWING:

FOR STORES WITH ONE AISLE
DIRECTORY PER AISLE, PROVIDE
2) 3'-4" PANELS AND 4) 2'-6"
PANELS OF EACH PRODUCT.

FOR STORES WITH TWO AISLE
DIRECTORIES PER AISLE,
PROVIDE 4) 3'-4" PANELS AND 8)
2'-6" PANELS OF EACH PRODUCT.



PLAN VIEW
Scale: 1 1/2" = 1'-0"



Defense
Commissary
Agency
Lackland AFB, Texas
Fort Lee, Virginia

© COPYRIGHT 2009
THIS DOCUMENT IS THE PROPERTY OF THE DEFENSE COMMISSARY AGENCY AND NO PART HEREIN SHALL BE USED WITHOUT THE CONSENT OF THE DEFENSE COMMISSARY AGENCY

DATE:	SOLICITATION ISSUE: 2-25-09
DATE:	CRITERIA ISSUE: 5-28-09
DATE:	
DATE:	

DeCA
Decor
2009

Aisle
Directory

D-101



Defense
Commissary
Agency
Lackland AFB, Texas
Fort Lee, Virginia

© COPYRIGHT 2009
THIS DOCUMENT IS THE PROPERTY OF THE DEFENSE
COMMISSARY AGENCY AND NO PART HEREIN SHALL BE
USED WITHOUT THE CONSENT OF THE DEFENSE
COMMISSARY AGENCY

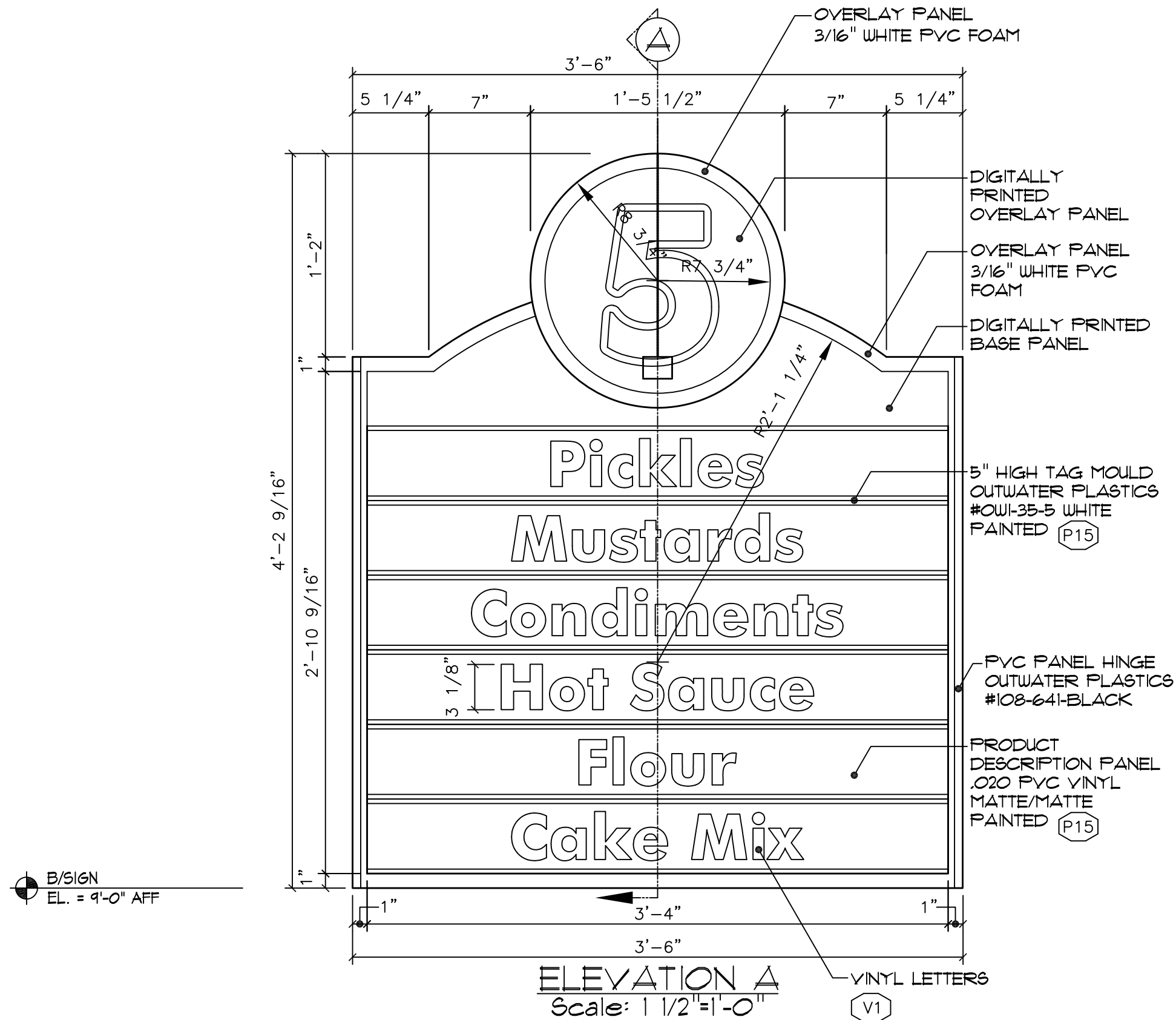
DATE:	SOLICITATION ISSUE: 2-25-09
DATE:	CRITERIA ISSUE: 5-28-09
DATE:	
DATE:	

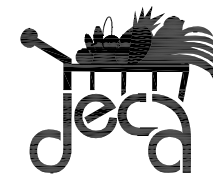
DeCA
Decor
2009

Aisle
Directory

D-101

2 OF 3





Defense
Commissary
Agency
Lackland AFB, Texas
Fort Lee, Virginia

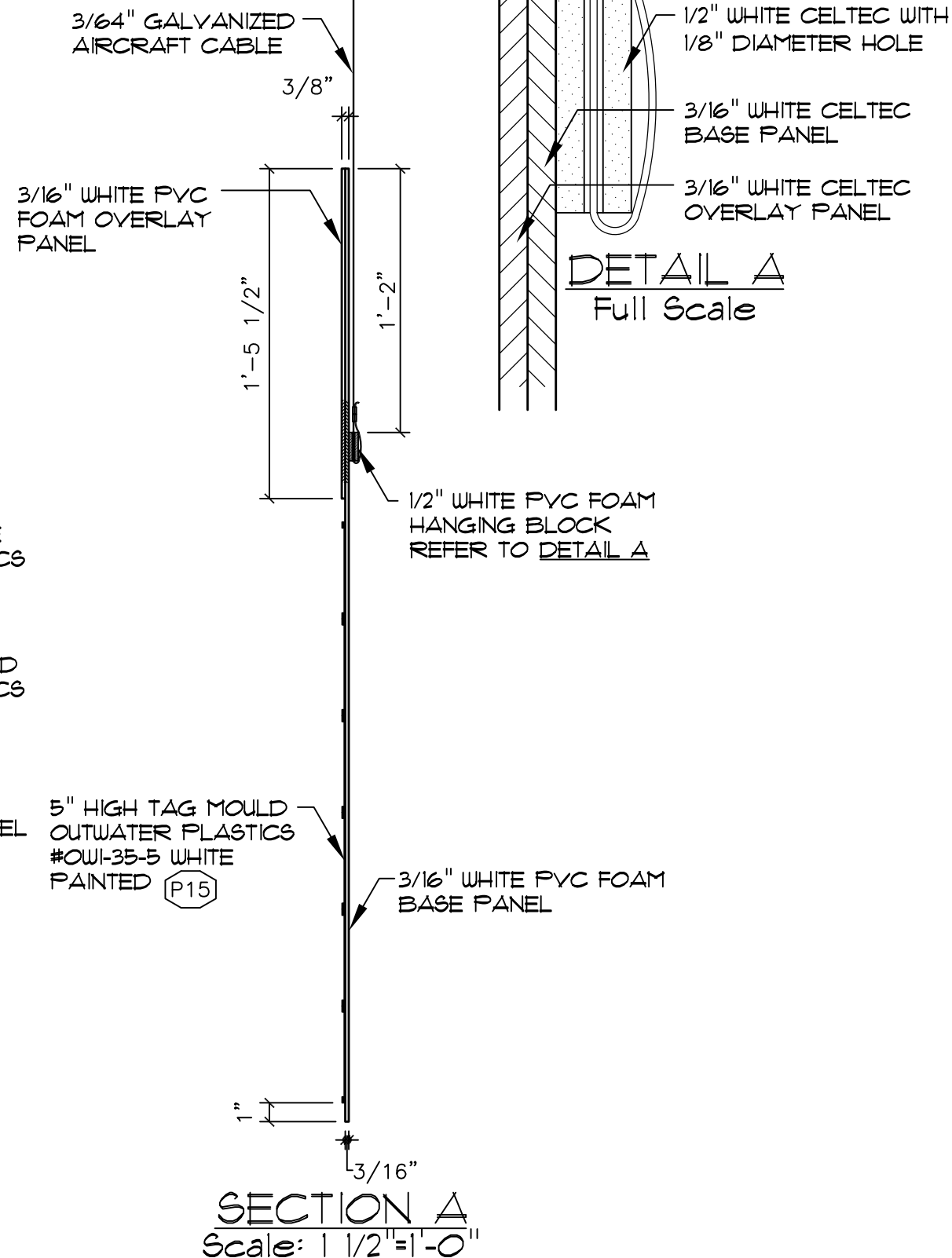
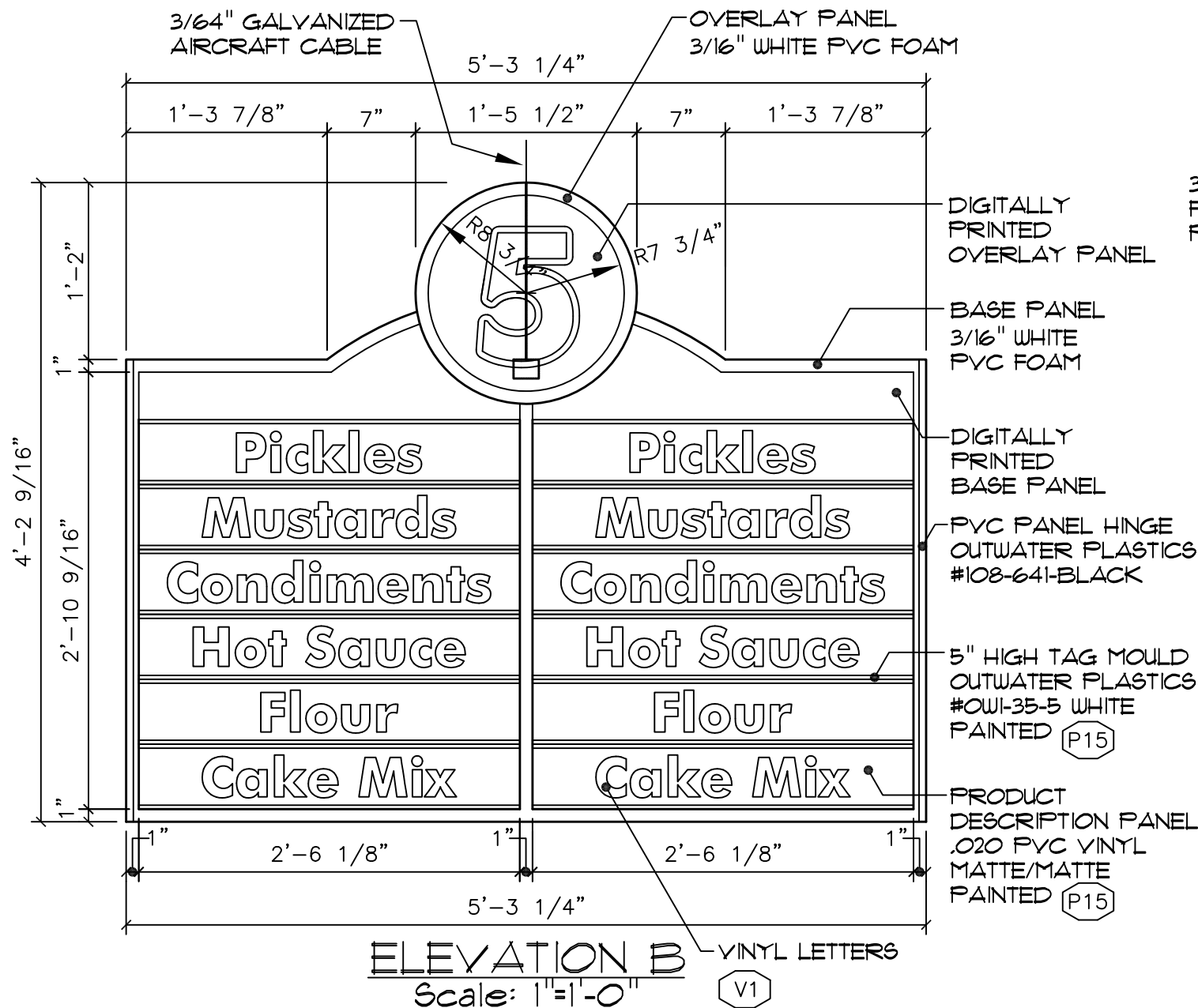
© COPYRIGHT 2009
THIS DOCUMENT IS THE PROPERTY OF THE DEFENSE COMMISSARY AGENCY AND NO PART HEREIN SHALL BE USED WITHOUT THE CONSENT OF THE DEFENSE COMMISSARY AGENCY

DATE:	SOLICITATION ISSUE: 2-25-09
DATE:	CRITERIA ISSUE: 5-28-09
DATE:	
DATE:	

DeCA
Decor
2009

Aisle
Directory

D-101



DETAIL A
Full Scale

SECTION A
Scale: 1 1/2"=1'-0"



D-101 (12ft Ceiling)

aisle DIRECTORY PRODUCT DESCRIPTION PANELS

ADULT INCONTINENCE
 AIR FRESHENERS
 ANALGESICS
 ANTACIDS/LAXATIVES
 ASIAN FOOD
 BABY DIAPERS
 BABY FOOD
 BABY FORMULA
 BABY NEEDS/CARE
 BACON
 BAGS/WRAPS/FOILS
 BAKING NEEDS
 BATTERIES
 BREAD
 BBQ/STEAK SAUCE
 CANNED BEANS
 DRY BEANS
 BEVERAGES
 BIRD SEED
 BLEACH/STARCH
 BODY WASH/BAR SOAP
 FROZEN BREAD
 BREADS/SWEET GOODS
 BREAKFAST BARS
 INSTANT BREAKFAST
 BUTTER/MARGARINE
 CANDY
 CAT FOODS
 CAT LITTER
 CLEANING SUPPLIES
 CHARCOAL

COFFEE/TEA
 COLD CEREAL
 COLD CUTS
 CONES/TOPPINGS
 COOKIES/CRACKERS
 CREAMERS/FILTERS
 CLUB PACK
 DEODORANT
 DIET/HEALTH FOODS
 FROZEN DINNERS
 DISH DETERGENTS
 DOG FOODS
 EGGS
 FROZEN ENTREES
 FRENCH FRIES
 FABRIC SOFTENER
 FACIAL TISSUE
 FEMININE HYGIENE
 FIRST AID
 CANNED FISH
 FOIL PANS
 FOOT CARE
 FROZEN BREAKFAST
 FRUIT SNACKS
 CANNED FRUIT
 DRY FRUIT
 FROZEN FRUIT
 GERMAN FOODS
 GLOVES/SPONGES
 GOURMET FOODS
 CANNED GRAVY

GRAVY/SAUCE MIXES
 HAIR CARE
 HOT CEREAL
 HOT COCOA MIX
 HOUSEHOLD CLEANERS
 ICE CREAM
 INSECTICIDES
 INTERNATIONAL
 JAM/JELLY
 JUICE
 KETCHUP/MUSTARD
 KITCHEN GADGETS
 LAUNDRY SUPPLIES
 LIGHT BULBS
 HAND LOTION
 MAYONNAISE
 CANNED MEAT
 FROZEN MEAT
 MICROWAVE MEALS
 MILK CANNED/DRY
 MUSTARD
 NAPKINS
 SNACK NUTS
 COOKING OIL
 OLIVES
 ORAL CARE
 PANCAKE MIX/SYRUP
 PAPER CUPS/PLATES
 PAPER TOWELS
 CANNED PASTA
 DRY PASTA

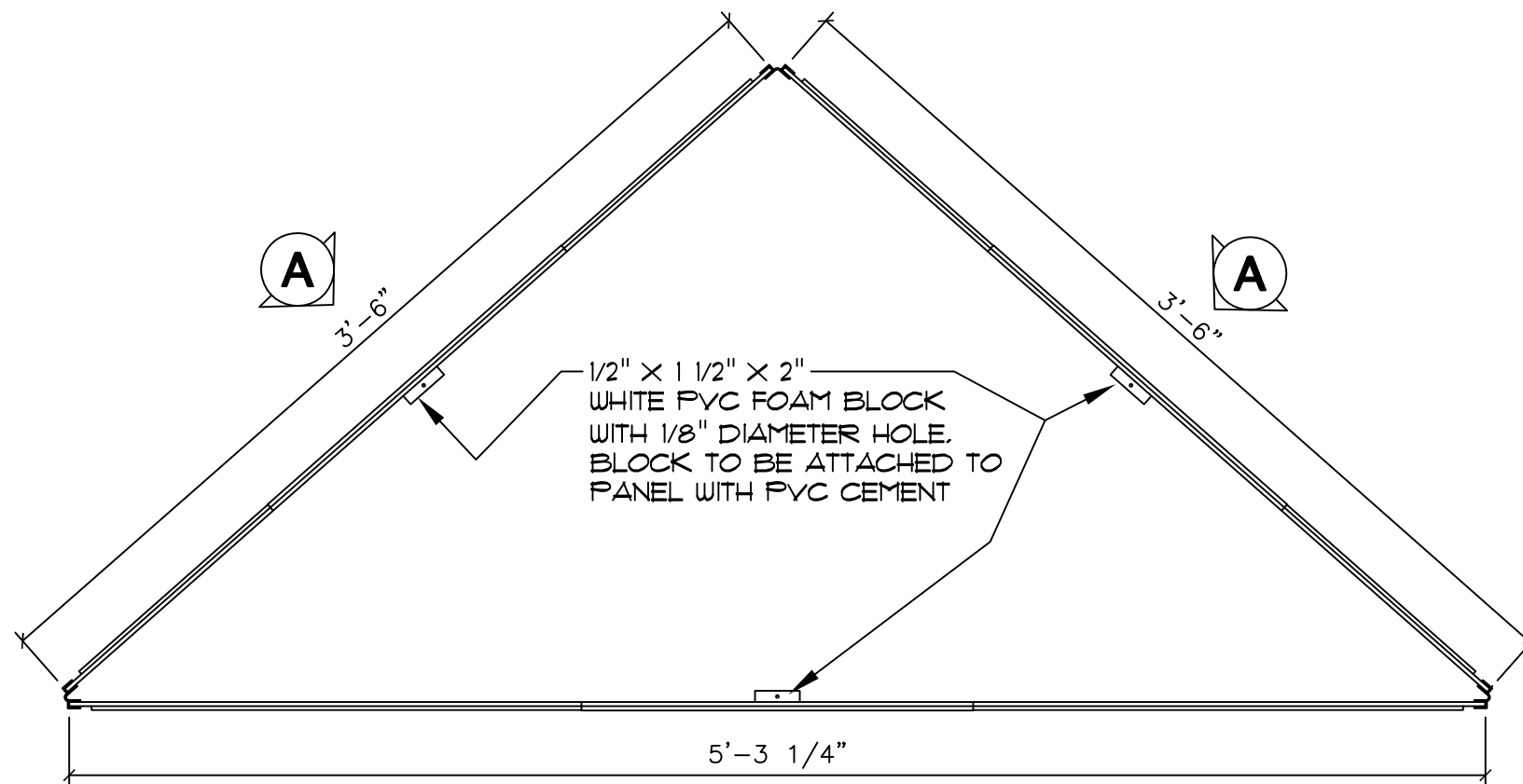
PEANUT BUTTER
 PET NEEDS
 PET TREATS
 PICKLES
 FROZEN PIZZA
 POPCORN
 POTATO CHIPS
 FROZEN POTATOES
 POTATOES/STUFFING
 FROZEN POULTRY
 POWDERED BEVERAGE
 PREPARED DINNERS
 PUDDINGS/GELATINS
 RAMEN NOODLES
 RICE
 RICE CAKES
 BAGGED SALAD
 SALAD DRESSING
 SALT / PEPPER
 FROZEN SEA FOOD
 SHAMPOO
 SHAVING NEEDS
 SHORTENING/OILS
 SKILCRAFT
 SKIN CARE
 MISC SNACKS
 SOUP CAN/DRY
 SPAGHETTI SAUCE
 SPICES/SUGAR
 SUGAR SUBSTITUTE
 TOASTER PASTRIES

TOILET TISSUE
 TOMATO SAUCE/PASTE
 CANNED VEGETABLES
 FROZEN VEGETABLES
 VINEGAR
 VITAMINS
 BOTTLED WATER
 WAXES/POLISH

PROVIDE THE FOLLOWING:

FOR STORES WITH ONE AISLE DIRECTORY PER AISLE, PROVIDE 2) 3'-4" PANELS AND 4) 2'-6" PANELS OF EACH PRODUCT.

FOR STORES WITH TWO AISLE DIRECTORIES PER AISLE, PROVIDE 4) 3'-4" PANELS AND 8) 2'-6" PANELS OF EACH PRODUCT.



PLAN VIEW
 Scale: 1 1/2" = 1'-0"



Defense Commissary Agency
 Lackland AFB, Texas
 Fort Lee, Virginia

© COPYRIGHT 2009
 THIS DOCUMENT IS THE PROPERTY OF THE DEFENSE COMMISSARY AGENCY AND NO PART HEREIN SHALL BE USED WITHOUT THE CONSENT OF THE DEFENSE COMMISSARY AGENCY

DATE:	SOLICITATION ISSUE: 2-25-09
DATE:	CRITERIA ISSUE: 5-28-09
DATE:	
DATE:	

DeCA
 Decor
 2009

12' Ceiling

Aisle
 Directory

D-101-12



Defense
Commissary
Agency
Lackland AFB, Texas
Fort Lee, Virginia

© COPYRIGHT 2009
THIS DOCUMENT IS THE PROPERTY OF THE DEFENSE
COMMISSARY AGENCY AND NO PART HEREIN SHALL BE
USED WITHOUT THE CONSENT OF THE DEFENSE
COMMISSARY AGENCY

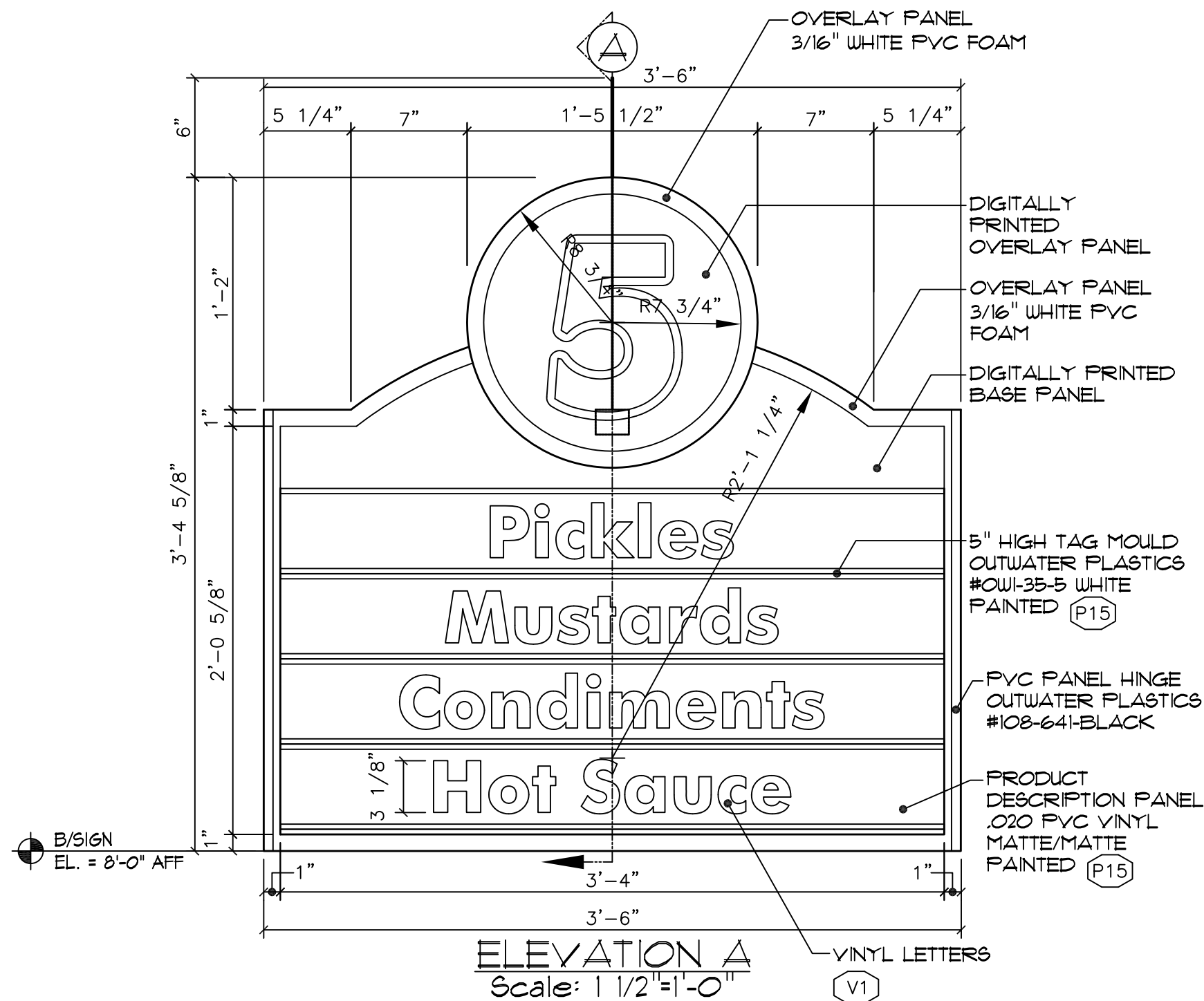
DATE:	SOLICITATION ISSUE: 2-25-09
DATE:	CRITERIA ISSUE: 5-28-09
DATE:	
DATE:	

DeCA
Decor
2009

12' Ceiling

Aisle
Directory

D-101-12





Defense
Commissary
Agency
Lackland AFB, Texas
Fort Lee, Virginia

© COPYRIGHT 2009
THIS DOCUMENT IS THE PROPERTY OF THE DEFENSE COMMISSARY AGENCY AND NO PART HEREIN SHALL BE USED WITHOUT THE CONSENT OF THE DEFENSE COMMISSARY AGENCY

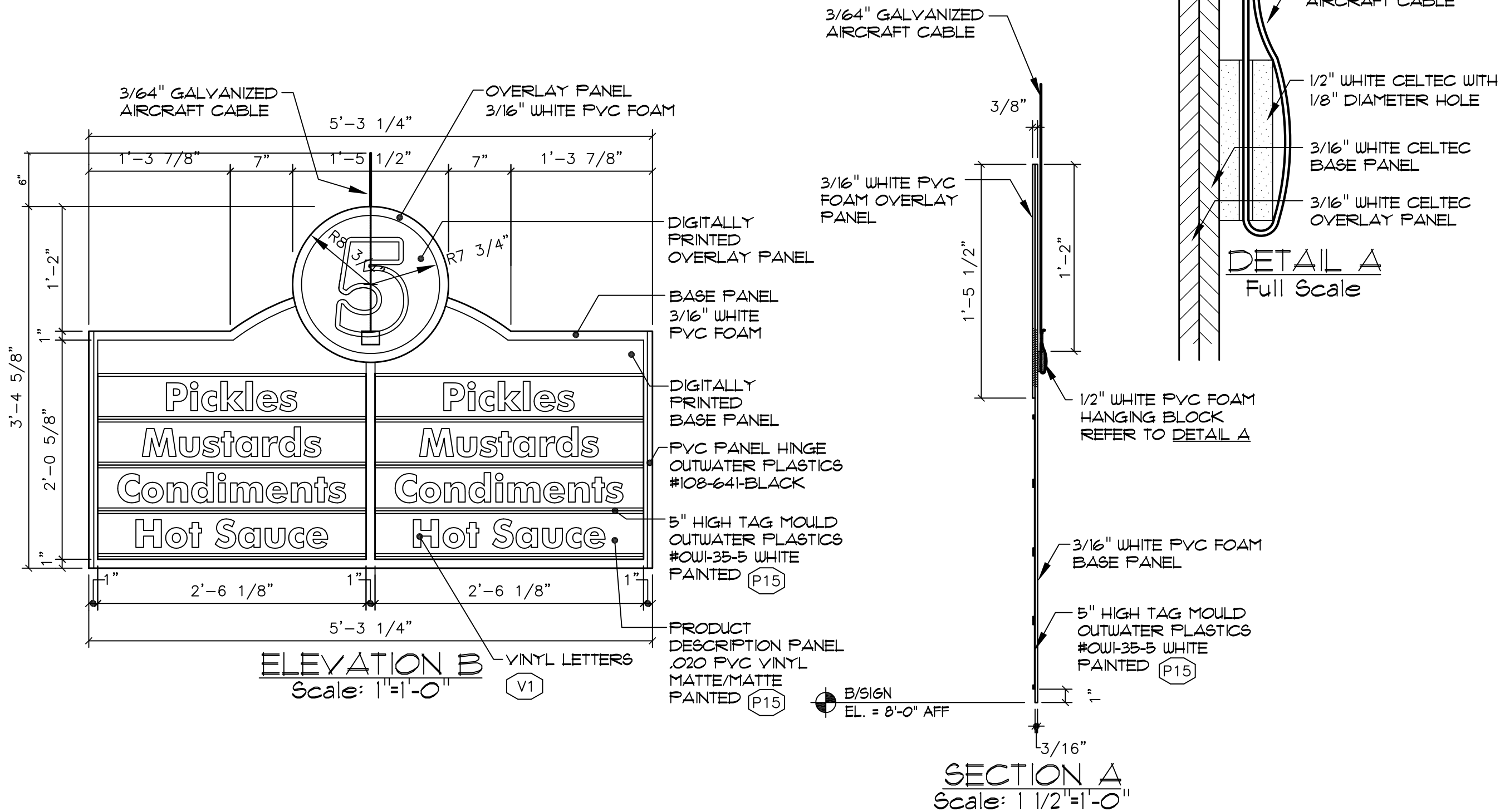
DATE:	SOLICITATION ISSUE: 2-25-09
DATE:	CRITERIA ISSUE: 5-28-09
DATE:	
DATE:	

DeCA Decor 2009

12' Ceiling

Aisle
Directory

D-101-12





Defense
Commissary
Agency
Lackland AFB, Texas
Fort Lee, Virginia

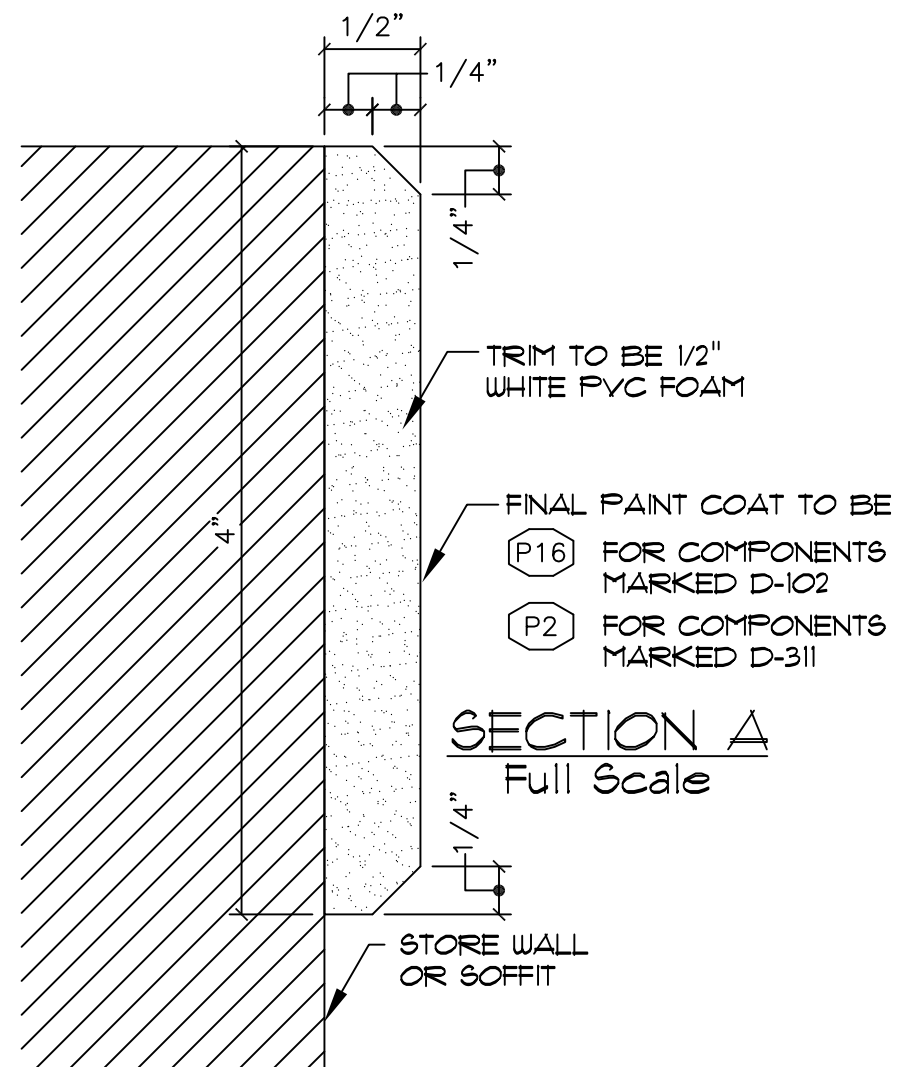
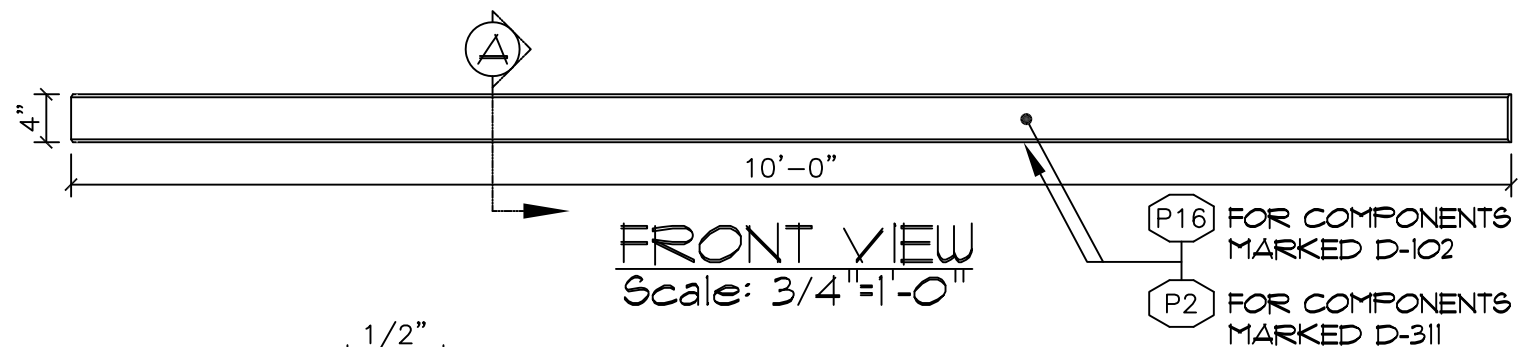
© COPYRIGHT 2009
THIS DOCUMENT IS THE PROPERTY OF THE DEFENSE
COMMISSARY AGENCY AND NO PART HEREIN SHALL BE
USED WITHOUT THE CONSENT OF THE DEFENSE
COMMISSARY AGENCY

DATE:	SOLICITATION ISSUE: 2-25-09
DATE:	CRITERIA ISSUE: 5-28-09
DATE:	
DATE:	

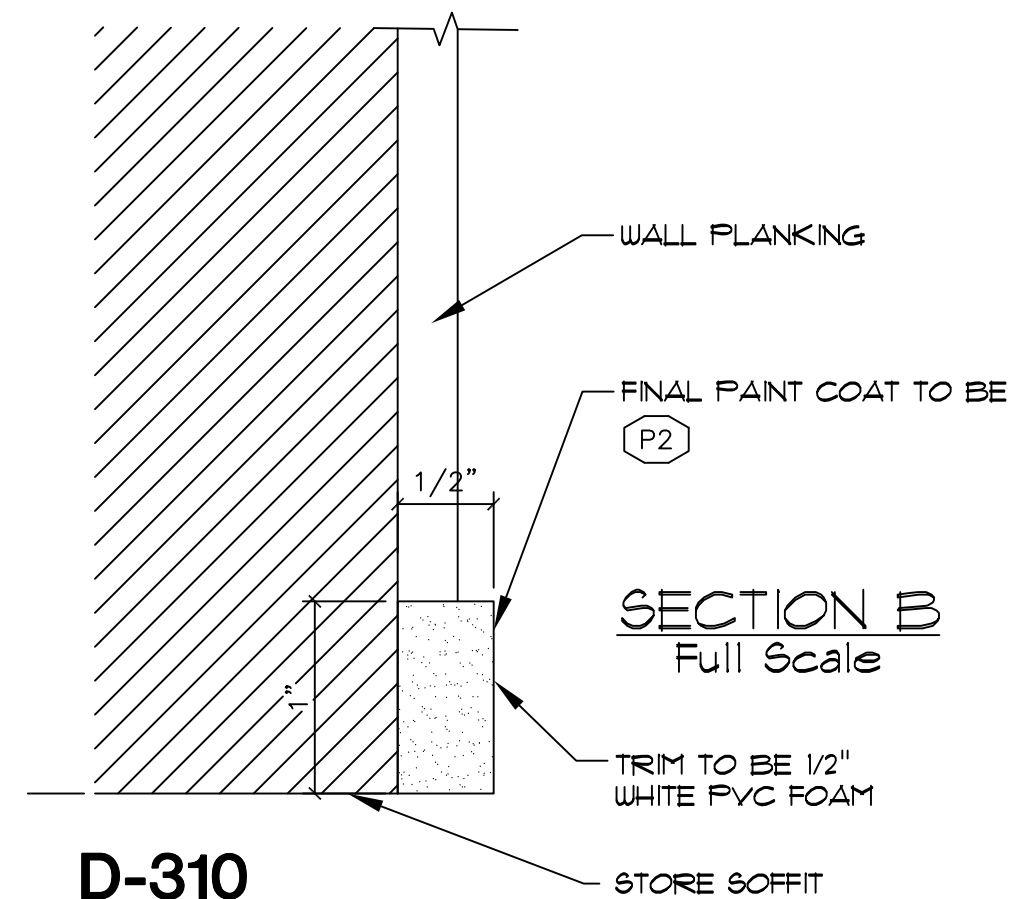
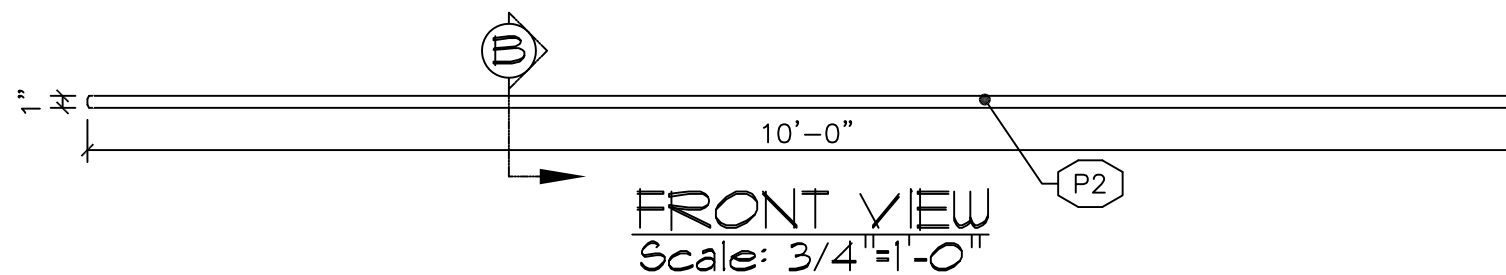
DeCA
Decor
2009

Trim
Details

D-102
D-310
D-311
1 OF 1



D-102,
D-311



D-310



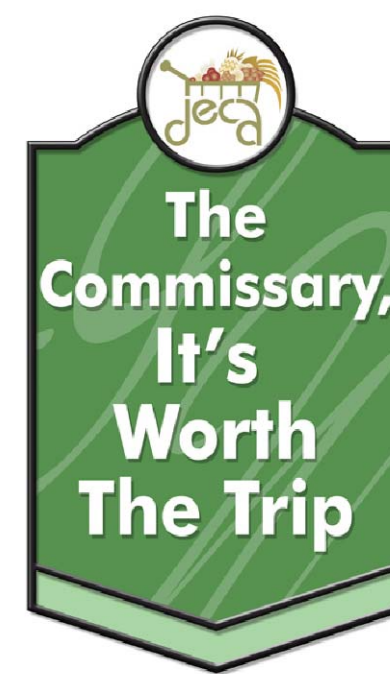
D-104A



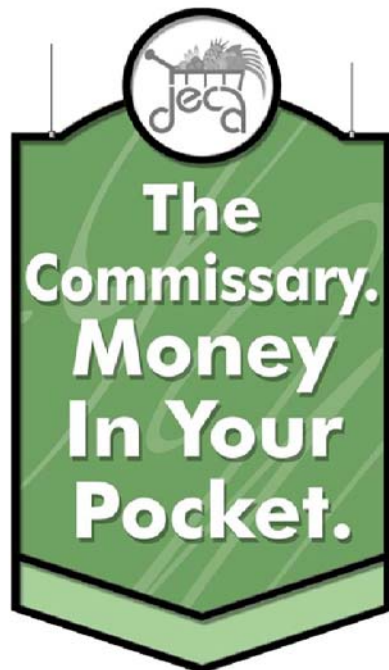
D-104B



D-104C



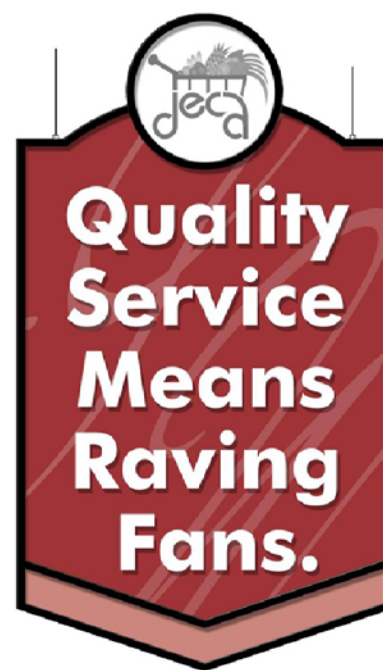
D-104D



D-104E



D-104F



D-104G



D-104H

NOTE: ALTERNATE COLOR OF BANNERS ON PLAN



Defense Commissary Agency
Lackland AFB, Texas
Fort Lee, Virginia

© COPYRIGHT 2009
THIS DOCUMENT IS THE PROPERTY OF THE DEFENSE COMMISSARY AGENCY AND NO PART HEREIN SHALL BE USED WITHOUT THE CONSENT OF THE DEFENSE COMMISSARY AGENCY

DATE:	SOLICITATION ISSUE: 2-25-09
DATE:	CRITERIA ISSUE: 5-28-09
DATE:	
DATE:	

DeCA
Decor
2009

Slogan
Banner

D-104
A-H



Defense
Commissary
Agency
Lackland AFB, Texas
Fort Lee, Virginia

© COPYRIGHT 2009
THIS DOCUMENT IS THE PROPERTY OF THE DEFENSE
COMMISSARY AGENCY AND NO PART HEREIN SHALL BE
USED WITHOUT THE CONSENT OF THE DEFENSE
COMMISSARY AGENCY

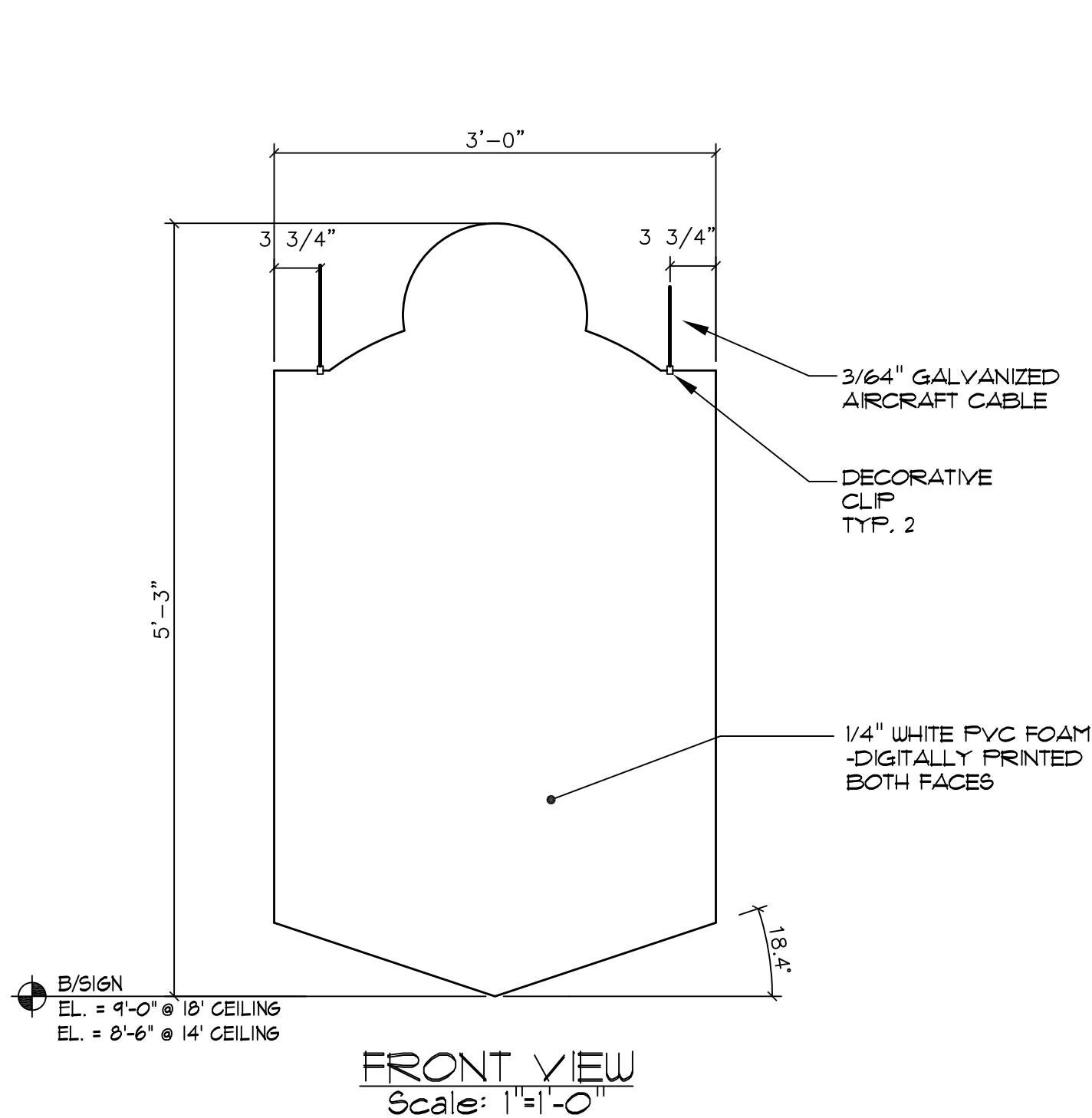
DATE:	SOLICITATION ISSUE: 2-25-09
DATE:	CRITERIA ISSUE: 5-28-09
DATE:	
DATE:	

DeCA
Decor
2009

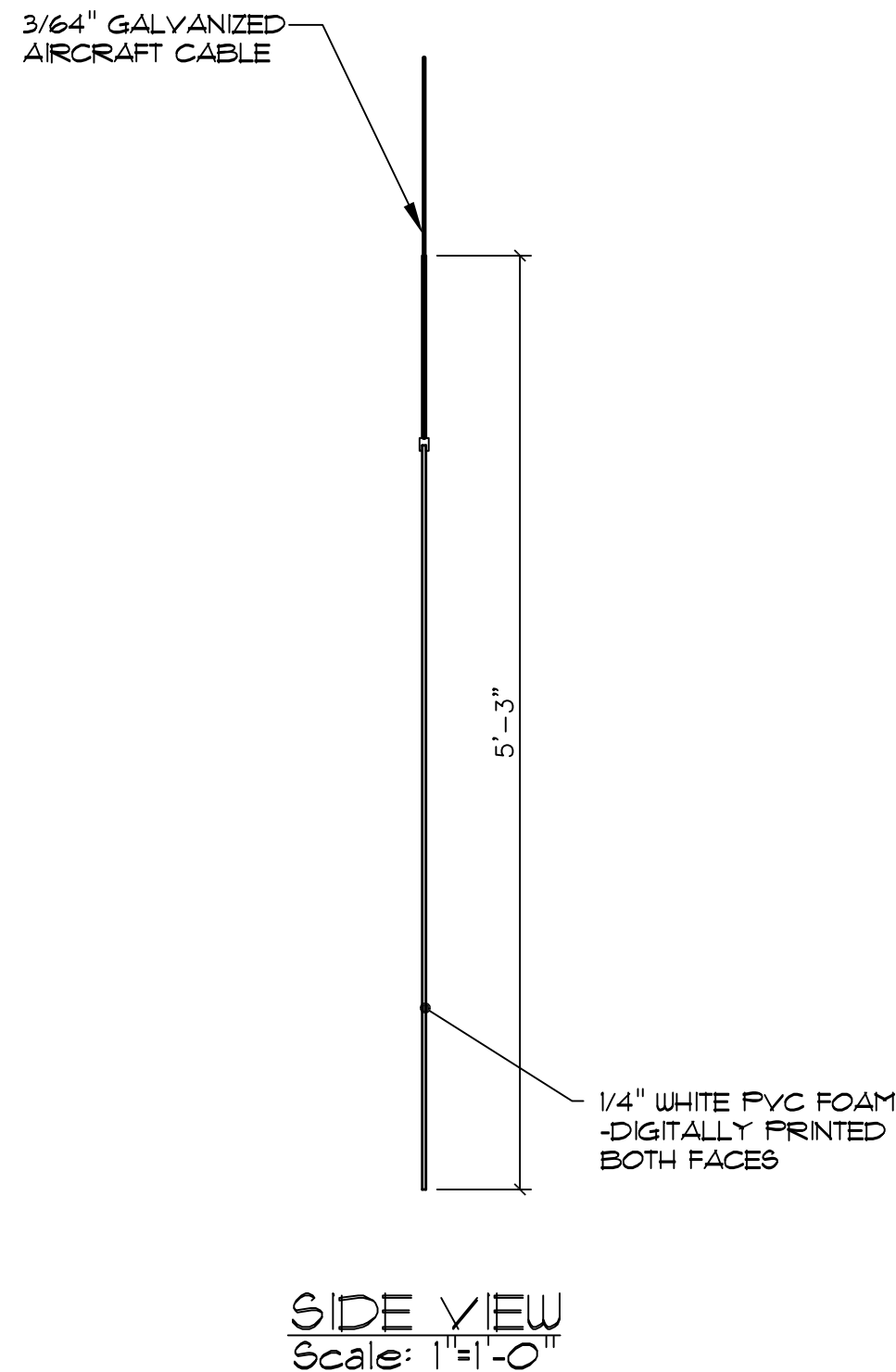
Slogan
Banner

D-104
A-H

2 OF 2



14' - 18' CEILING HEIGHT





Defense
Commissary
Agency
Lackland AFB, Texas
Fort Lee, Virginia

© COPYRIGHT 2009
THIS DOCUMENT IS THE PROPERTY OF THE DEFENSE
COMMISSARY AGENCY AND NO PART HEREIN SHALL BE
USED WITHOUT THE CONSENT OF THE DEFENSE
COMMISSARY AGENCY

DATE:	SOLICITATION ISSUE: 2-25-09
DATE:	CRITERIA ISSUE: 5-28-09
DATE:	
DATE:	

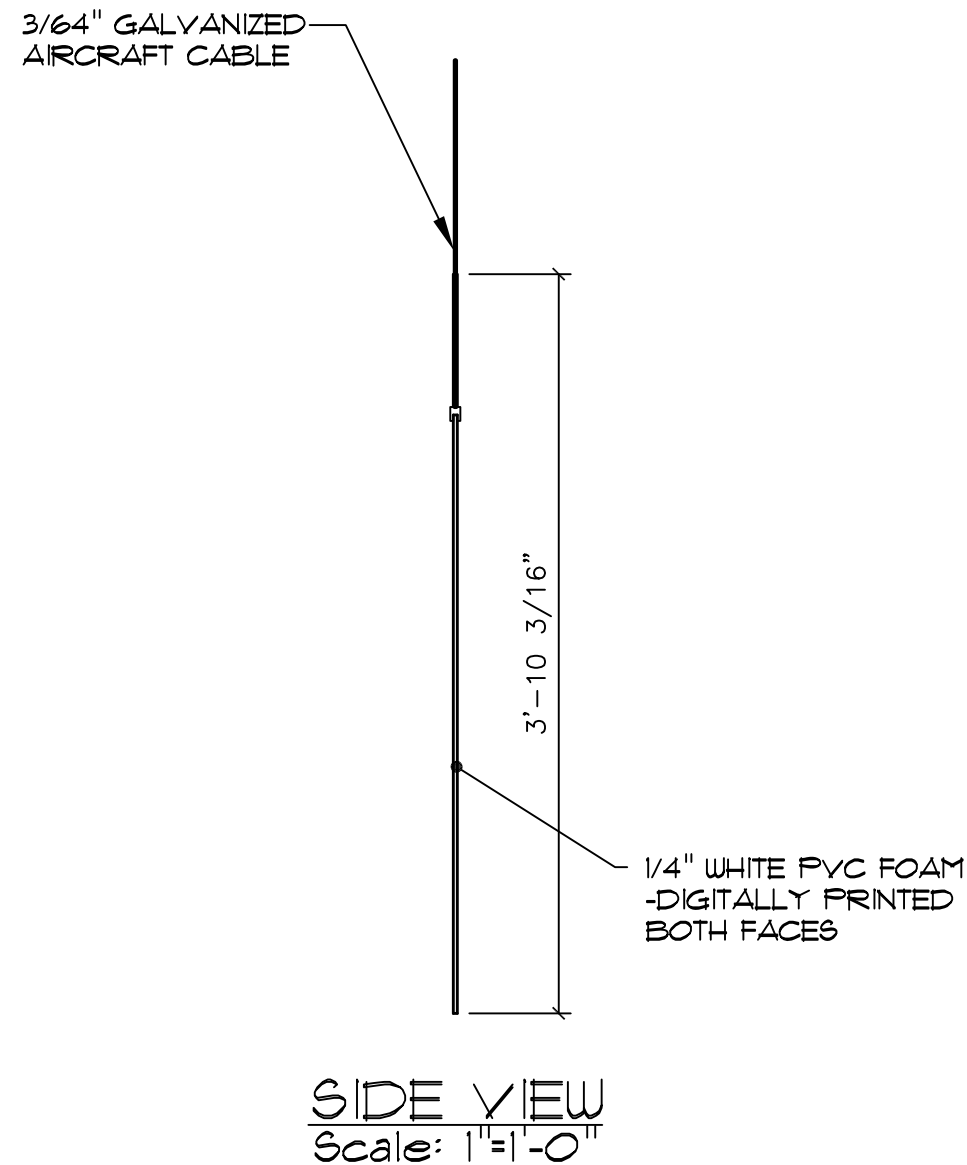
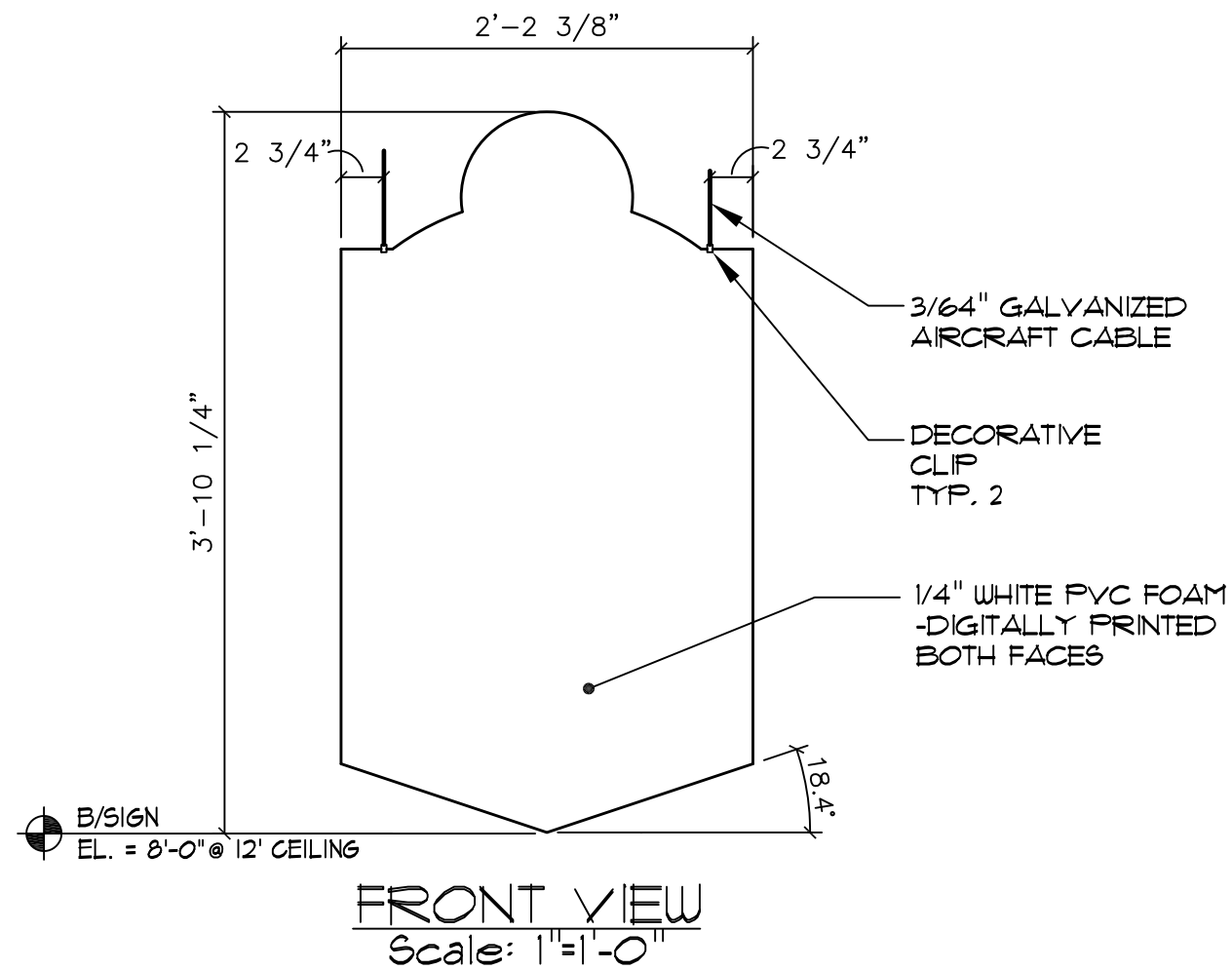
DeCA
Decor
2009

12' Ceiling

Slogan
Banner

D-104-12
A-H

1 OF 1



12' CEILING HEIGHT



Defense
Commissary
Agency
Lackland AFB, Texas
Fort Lee, Virginia

© COPYRIGHT 2009
THIS DOCUMENT IS THE PROPERTY OF THE DEFENSE
COMMISSARY AGENCY AND NO PART HEREIN SHALL BE
USED WITHOUT THE CONSENT OF THE DEFENSE
COMMISSARY AGENCY

DATE:	SOLICITATION ISSUE: 2-25-09
DATE:	CRITERIA ISSUE: 5-28-09
DATE:	
DATE:	

DeCA
Decor
2009

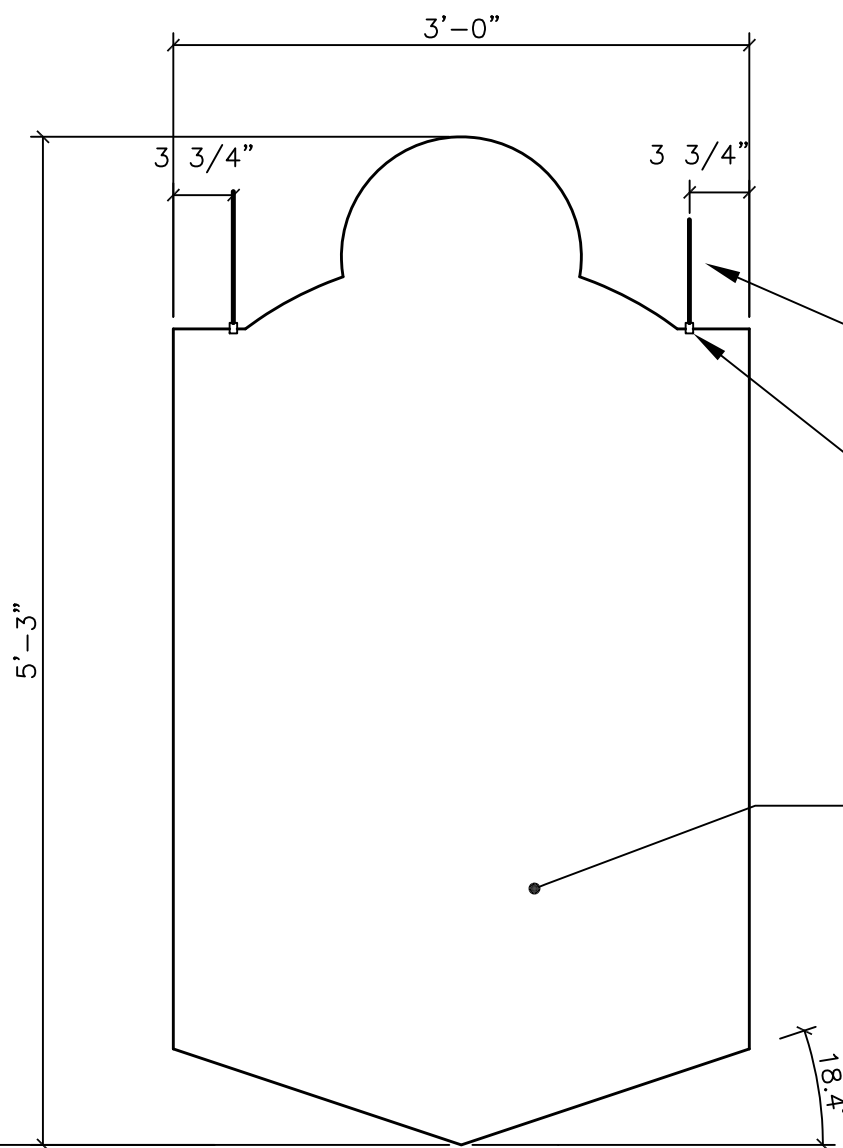
Self
Checkout
Banner

D-203



D-203

B/SIGN
EL. = 9'-0" @ 18' CEILING
EL. = 8'-6" @ 14' CEILING



FRONT VIEW
Scale: 1"=1'-0"

14' - 18' CEILING HEIGHT

3/64" GALVANIZED
AIRCRAFT CABLE

3/64" GALVANIZED
AIRCRAFT CABLE

DECORATIVE
CLIP
TYP. 2

1/4" WHITE PVC FOAM
-DIGITALLY PRINTED
BOTH FACES

1/4" WHITE PVC FOAM
-DIGITALLY PRINTED
BOTH FACES

SIDE VIEW
Scale: 1"=1'-0"



Defense Commissary Agency
Lackland AFB, Texas
Fort Lee, Virginia

© COPYRIGHT 2009
THIS DOCUMENT IS THE PROPERTY OF THE DEFENSE COMMISSARY AGENCY AND NO PART HEREIN SHALL BE USED WITHOUT THE CONSENT OF THE DEFENSE COMMISSARY AGENCY

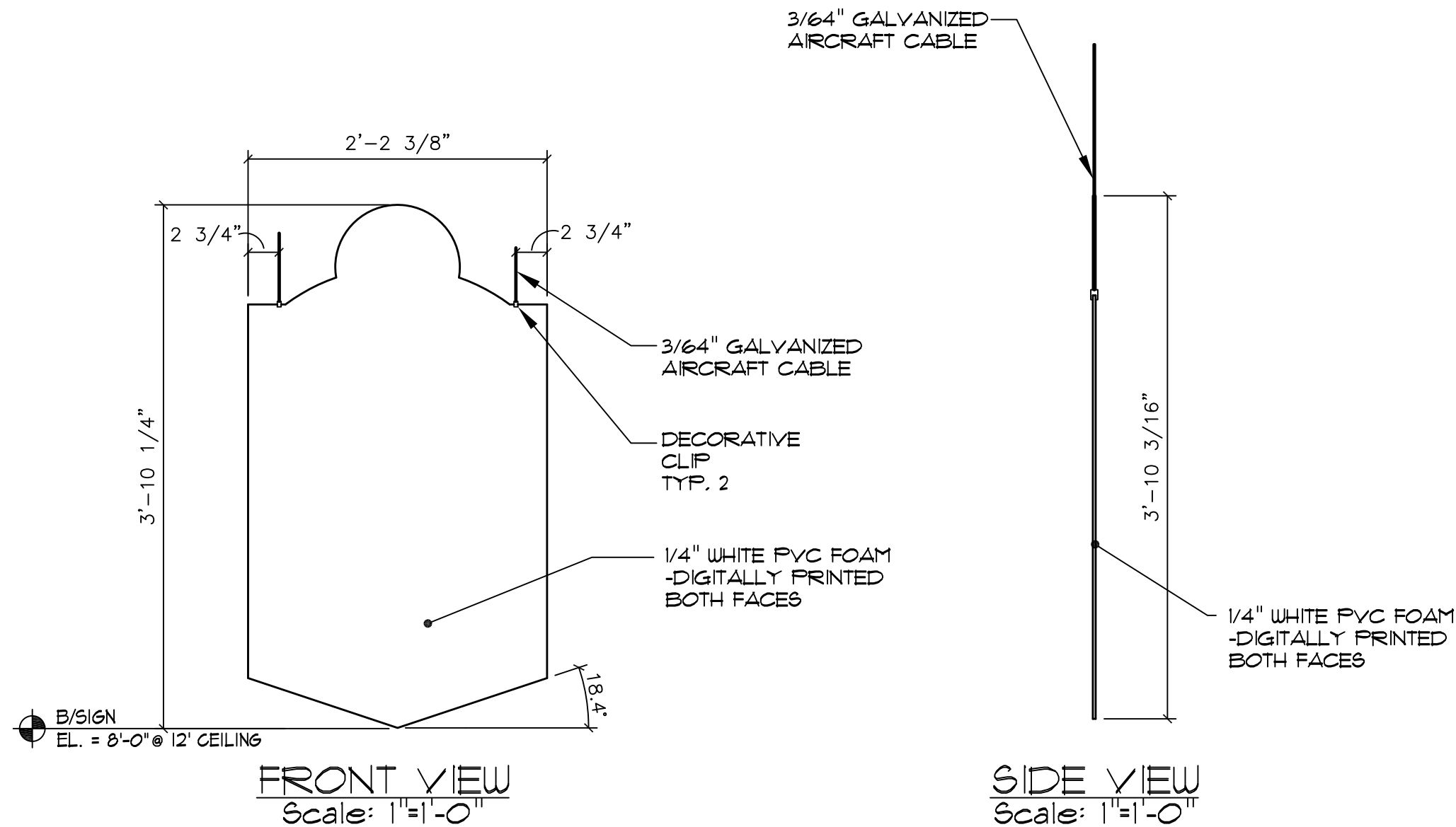
DATE:	SOLICITATION ISSUE: 2-25-09
DATE:	CRITERIA ISSUE: 5-28-09
DATE:	
DATE:	

DeCA
Decor
2009

12' Ceiling

Self
Checkout
Banner

D-203-12



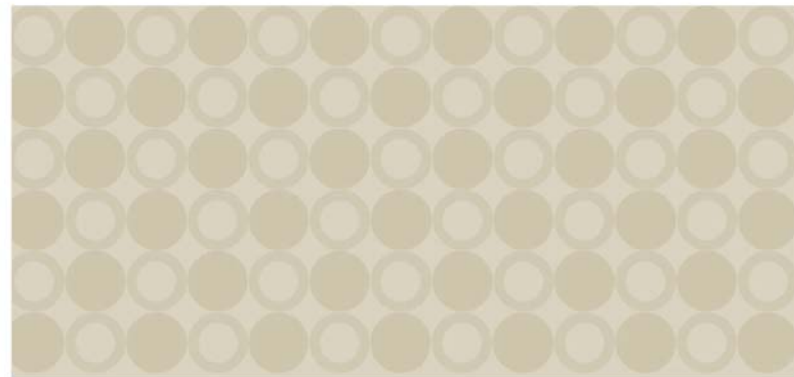
12' CEILING HEIGHT



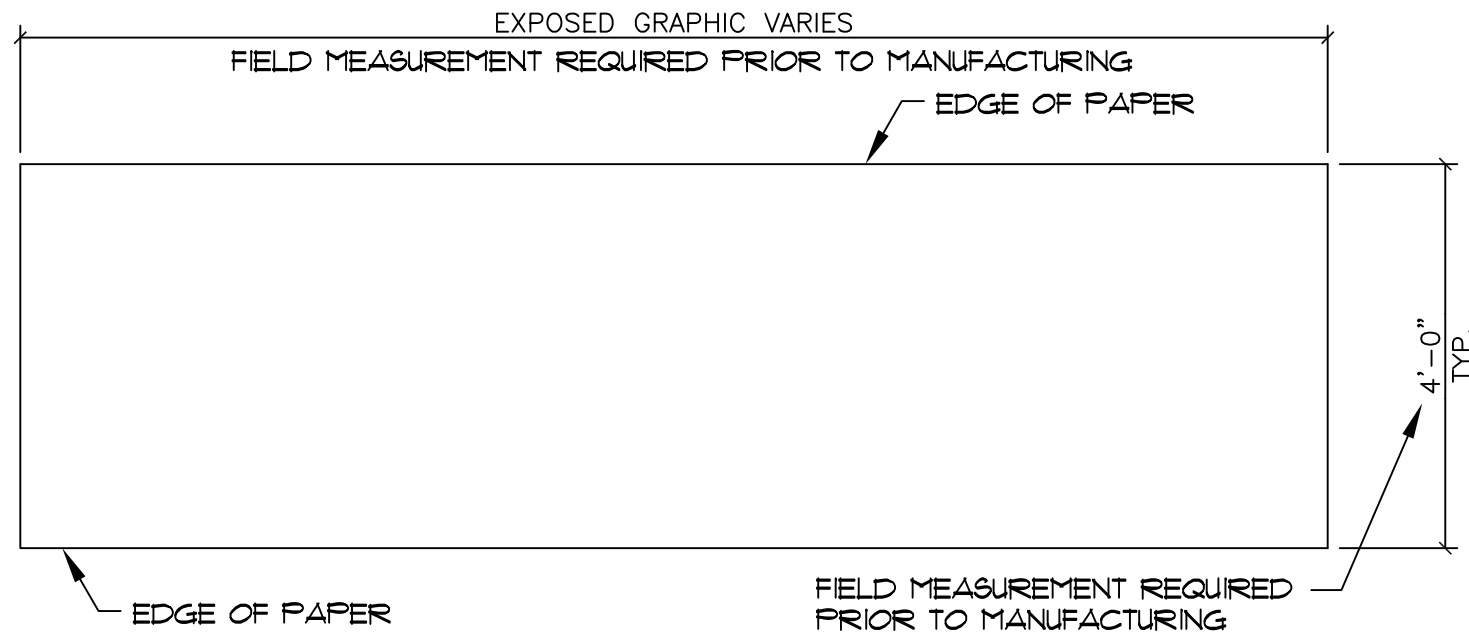
D-206



D-1404



D-1001



ELEVATION A
Scale: 1/2"=1'-0"



Defense
Commissary
Agency
Lackland AFB, Texas
Fort Lee, Virginia

© COPYRIGHT 2009
THIS DOCUMENT IS THE PROPERTY OF THE DEFENSE COMMISSARY AGENCY AND NO PART HEREIN SHALL BE USED WITHOUT THE CONSENT OF THE DEFENSE COMMISSARY AGENCY

DATE:	SOLICITATION ISSUE: 2-25-09
DATE:	CRITERIA ISSUE: 5-28-09
DATE:	
DATE:	

DeCA
Decor
2009

Customer
Service
Vinyls

D-206
D-1001
D-1404
1 OF 1



Defense
Commissary
Agency
Lackland AFB, Texas
Fort Lee, Virginia

© COPYRIGHT 2009
THIS DOCUMENT IS THE PROPERTY OF THE DEFENSE
COMMISSARY AGENCY AND NO PART HEREIN SHALL BE
USED WITHOUT THE CONSENT OF THE DEFENSE
COMMISSARY AGENCY

DATE:	SOLICITATION ISSUE: 2-25-09
DATE:	CRITERIA ISSUE: 5-28-09
DATE:	
DATE:	

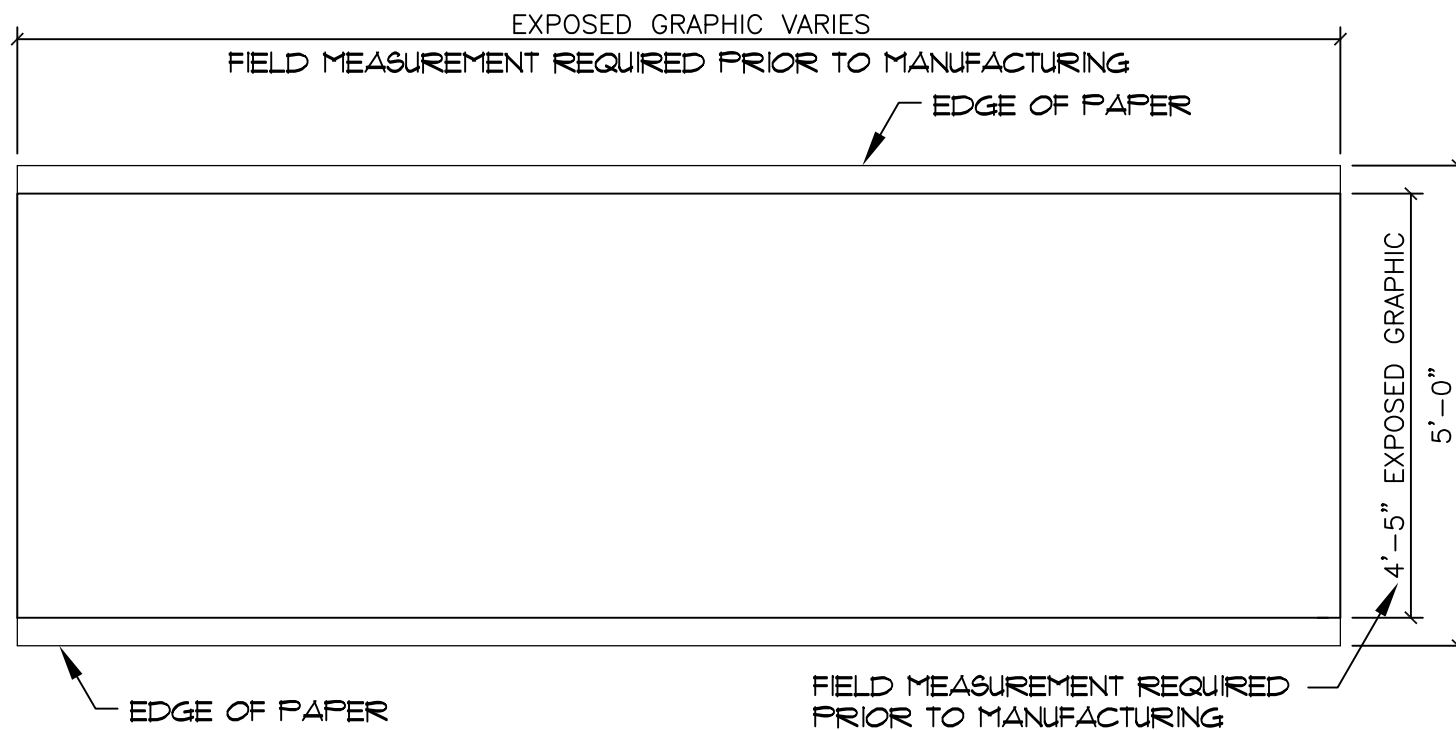
DeCA
Decor
2009

Produce
Vinyls

D-301
A-F

GENERAL NOTES:

1. FIELD MEASUREMENTS OF SOFFIT HEIGHT AND LENGTH ARE REQUIRED PRIOR TO MANUFACTURING
2. GRAPHIC TO BE PRINTED DIRECTLY ON KOROGRAPHICS WALL-COVERING MATERIAL



ELEVATION A
Scale: 1/2"=1'-0"



D-301A



D-301C



D-301B



D-301F



Defense
Commissary
Agency
Lackland AFB, Texas
Fort Lee, Virginia

© COPYRIGHT 2009
THIS DOCUMENT IS THE PROPERTY OF THE DEFENSE
COMMISSARY AGENCY AND NO PART HEREIN SHALL BE
USED WITHOUT THE CONSENT OF THE DEFENSE
COMMISSARY AGENCY

DATE:	SOLICITATION ISSUE: 2-25-09
DATE:	CRITERIA ISSUE: 5-28-09
DATE:	
DATE:	

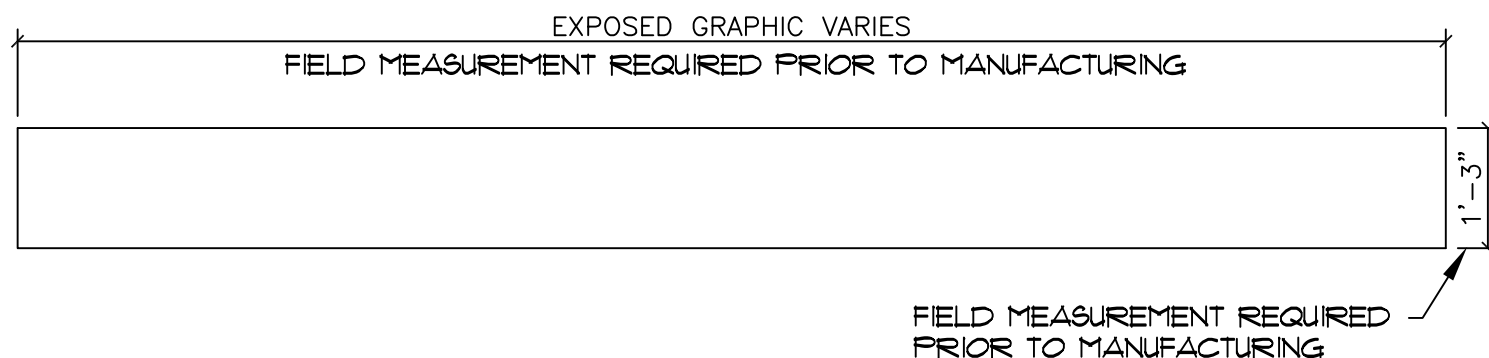
DeCA
Decor
2009

Vinyl
Bands

D-302
D-402
D-602
1 OF 1

GENERAL NOTES:

1. FIELD MEASUREMENTS OF SOFFIT FACE AND LENGTH ARE REQUIRED PRIOR TO MANUFACTURING
2. GRAPHIC TO BE PRINTED ON KOROGRAPHICS WALL-COVERING MATERIAL



ELEVATION A
Scale: 1/2"=1'-0"



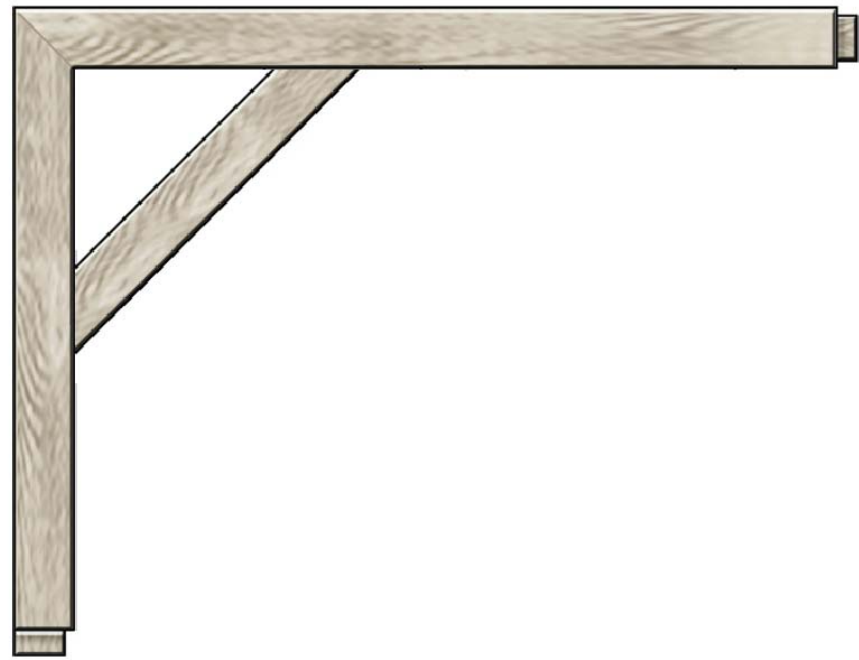
D-302



D-402



D-602



D-303



D-304A



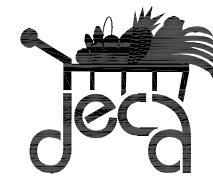
D-304B



D-304C



D-304D



Defense
Commissary
Agency
Lackland AFB, Texas
Fort Lee, Virginia

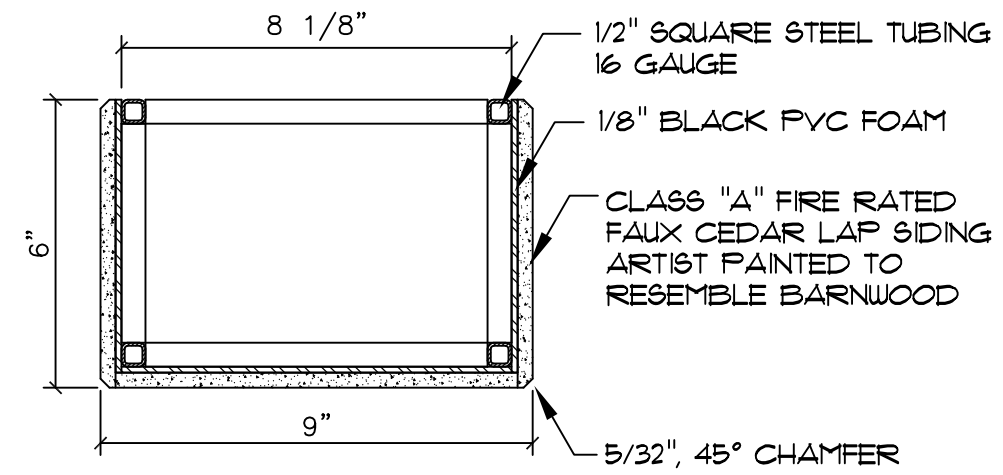
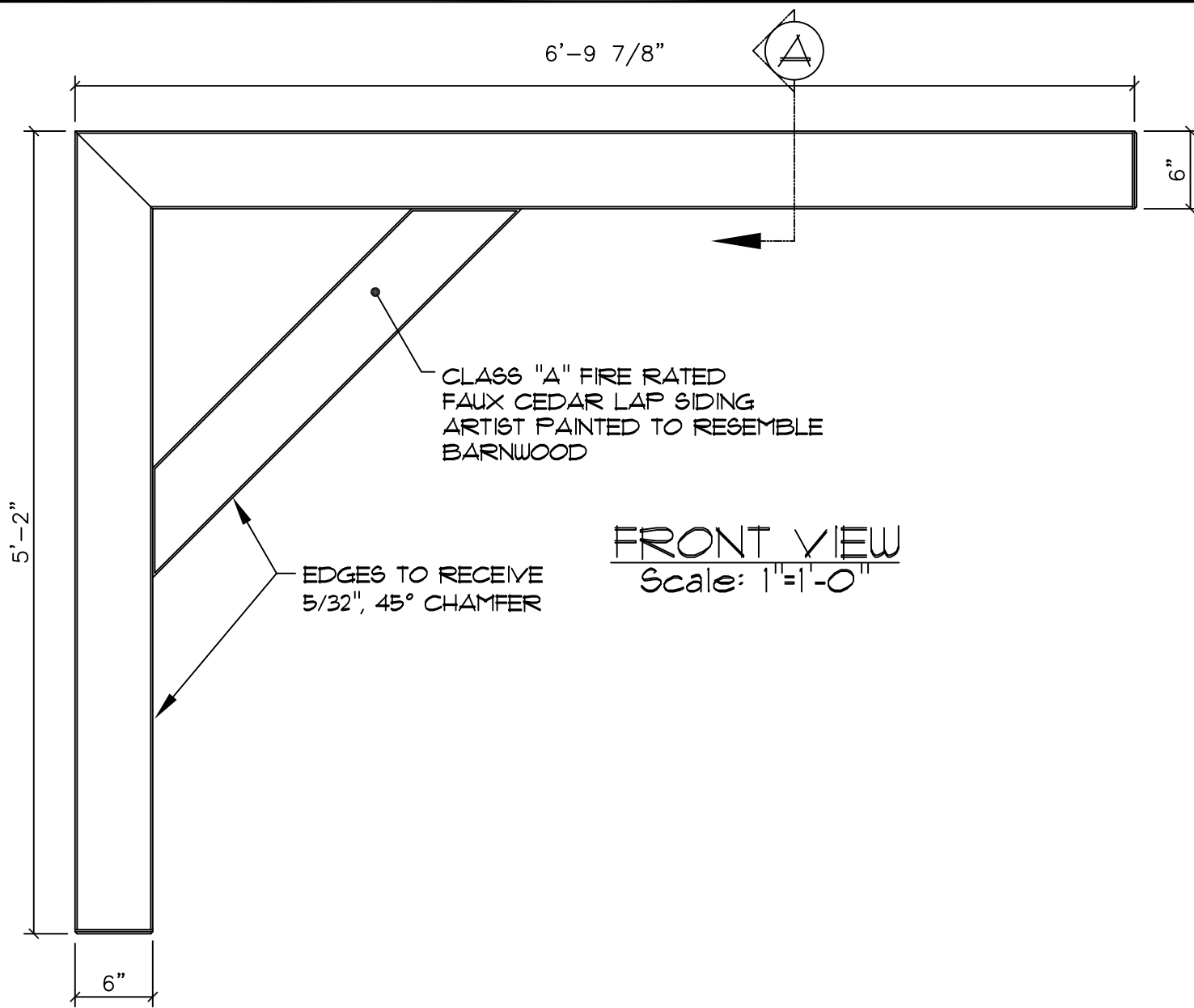
© COPYRIGHT 2009
THIS DOCUMENT IS THE PROPERTY OF THE DEFENSE
COMMISSARY AGENCY AND NO PART HEREIN SHALL BE
USED WITHOUT THE CONSENT OF THE DEFENSE
COMMISSARY AGENCY

DATE:	SOLICITATION ISSUE: 2-25-09
DATE:	CRITERIA ISSUE: 5-28-09
DATE:	
DATE:	

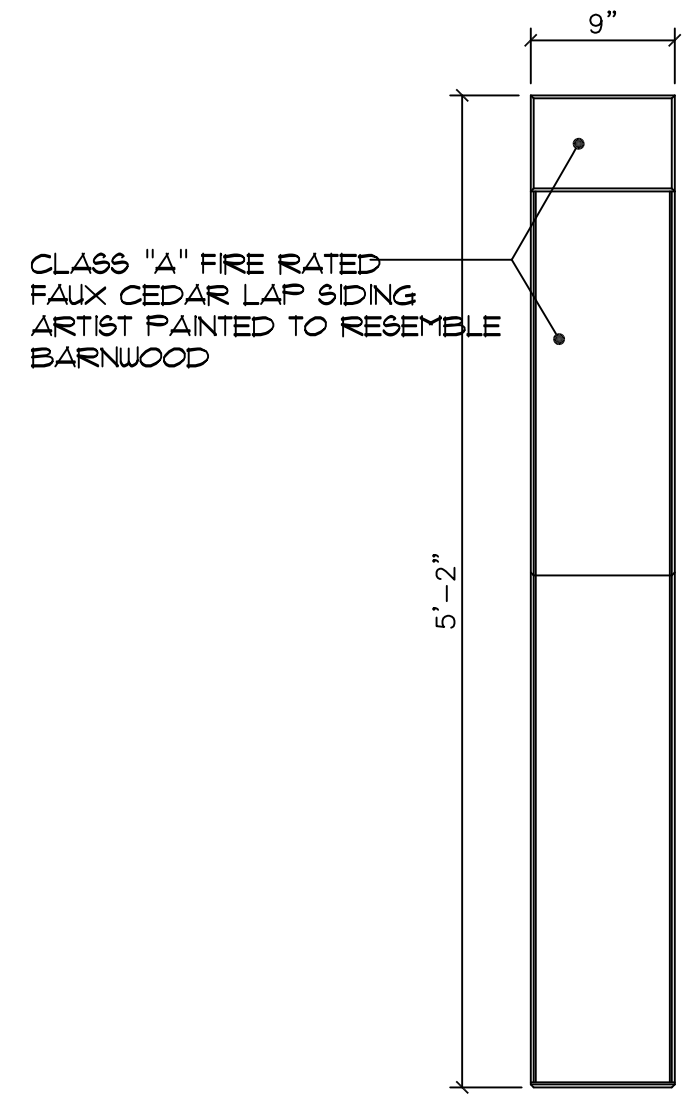
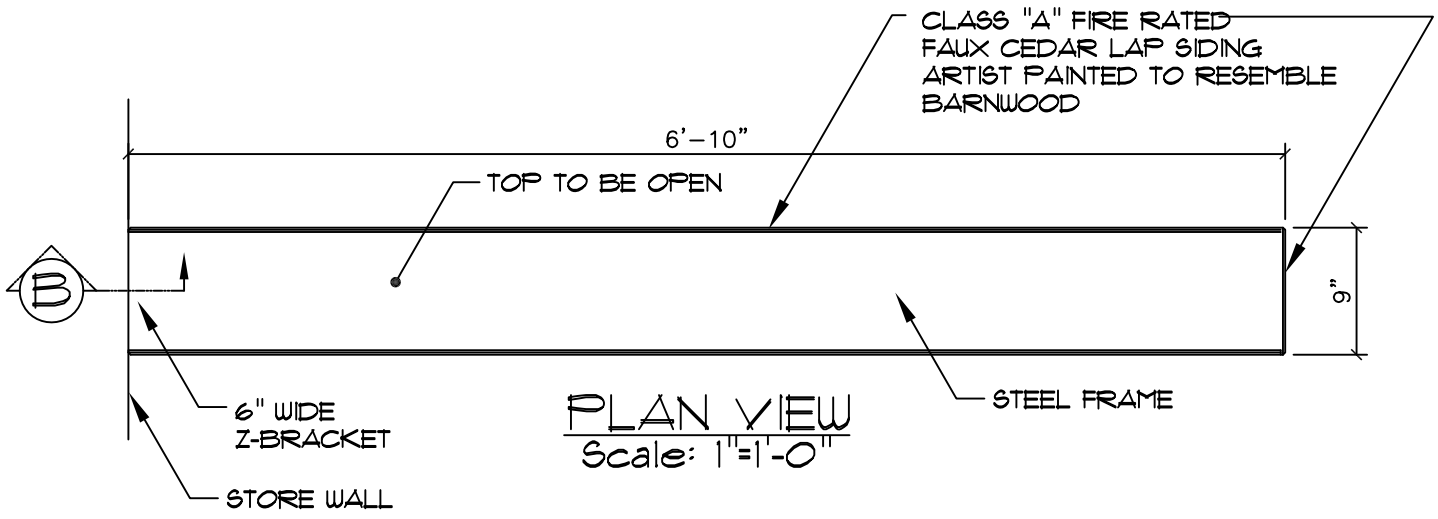
DeCA
Decor
2009

Produce
Bracket
Signs

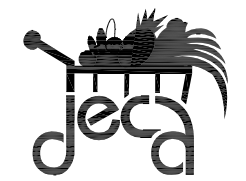
D-303
D-304
A-D
1 OF 5



SECTION A
Scale: 3"=1'-0"



SIDE VIEW
Scale: 1"=1'-0"



Defense Commissary Agency
Lackland AFB, Texas
Fort Lee, Virginia

© COPYRIGHT 2009
THIS DOCUMENT IS THE PROPERTY OF THE DEFENSE COMMISSARY AGENCY AND NO PART HEREIN SHALL BE USED WITHOUT THE CONSENT OF THE DEFENSE COMMISSARY AGENCY

DATE:	SOLICITATION ISSUE: 2-25-09
DATE:	CRITERIA ISSUE: 5-28-09
DATE:	
DATE:	

DeCA
Decor
2009

Produce
Bracket
Signs

D-303
D-304
A-D
2 OF 5



Defense
Commissary
Agency
Lackland AFB, Texas
Fort Lee, Virginia

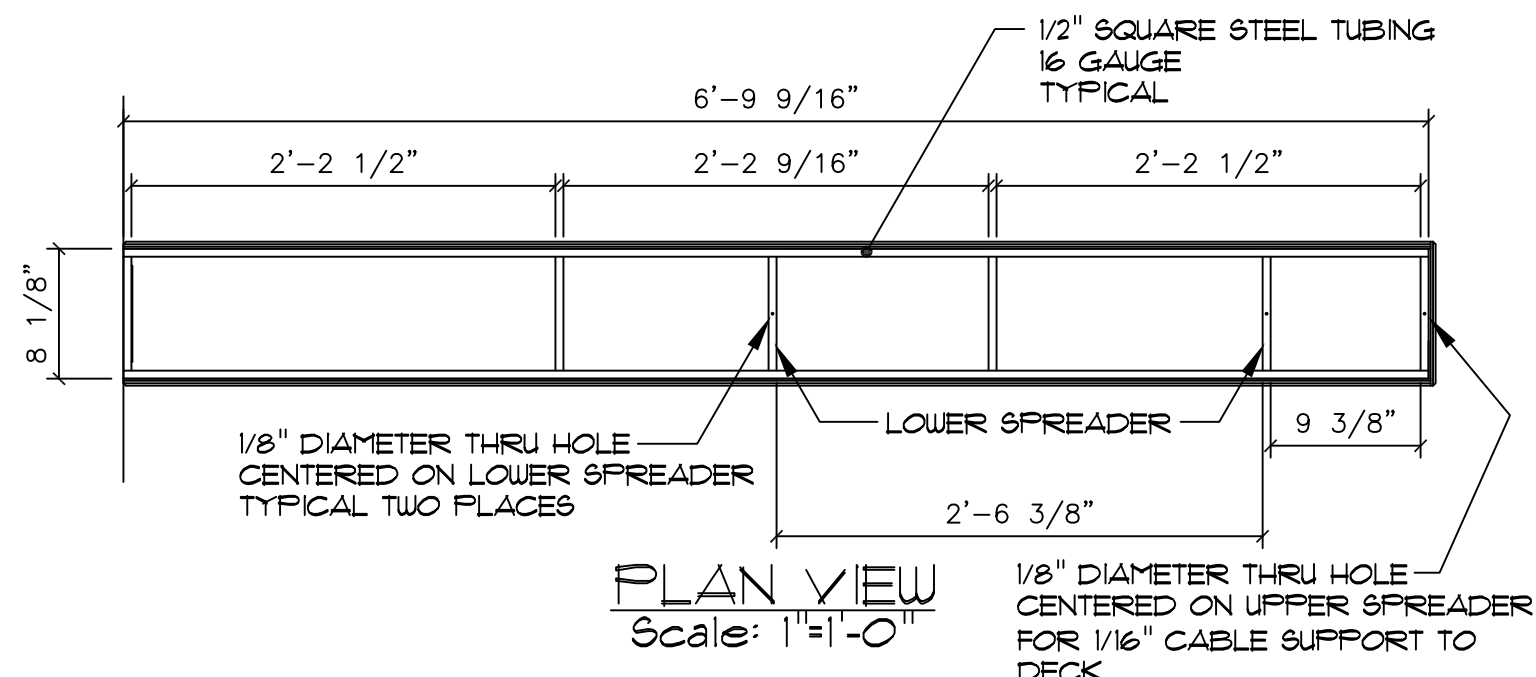
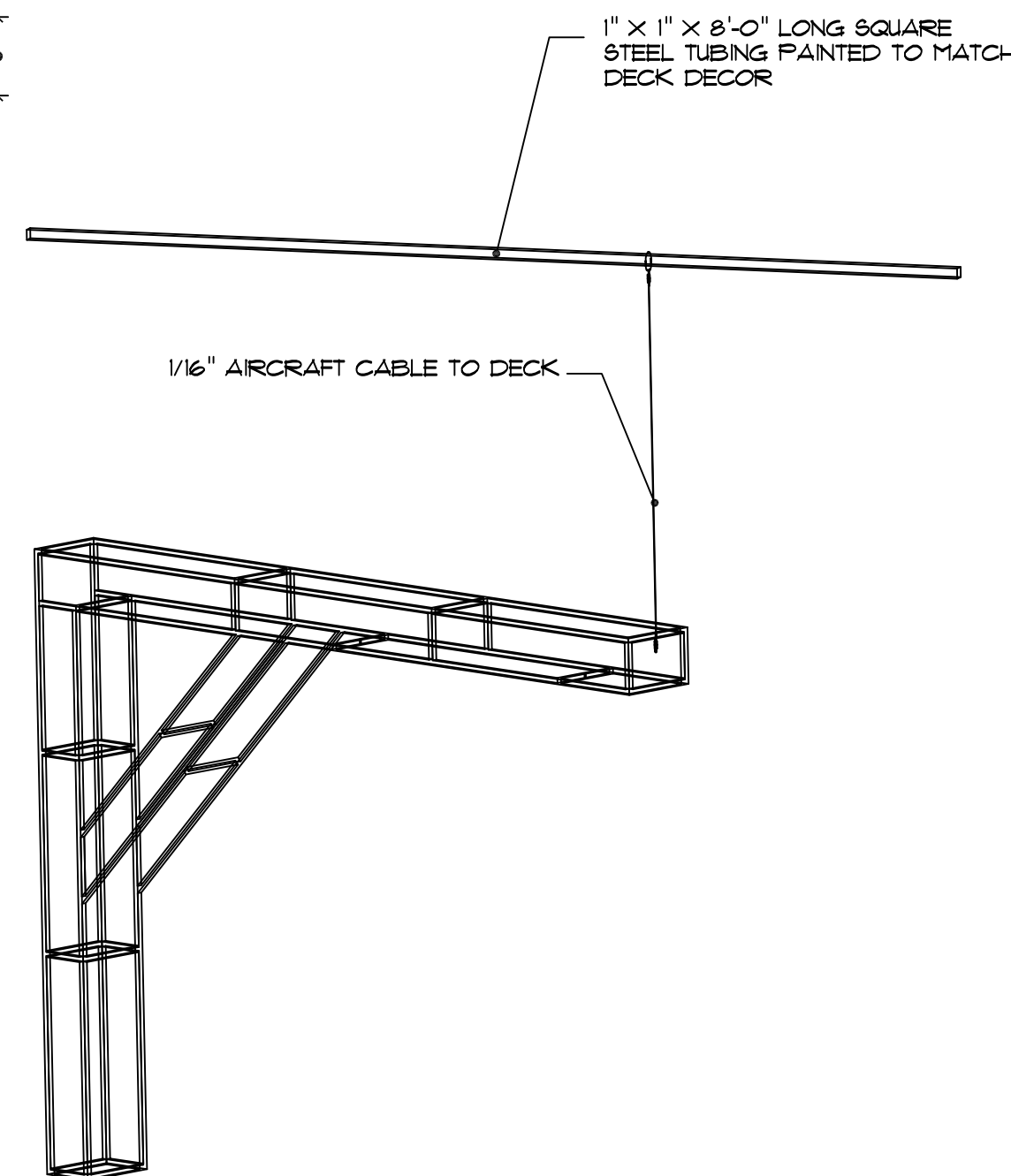
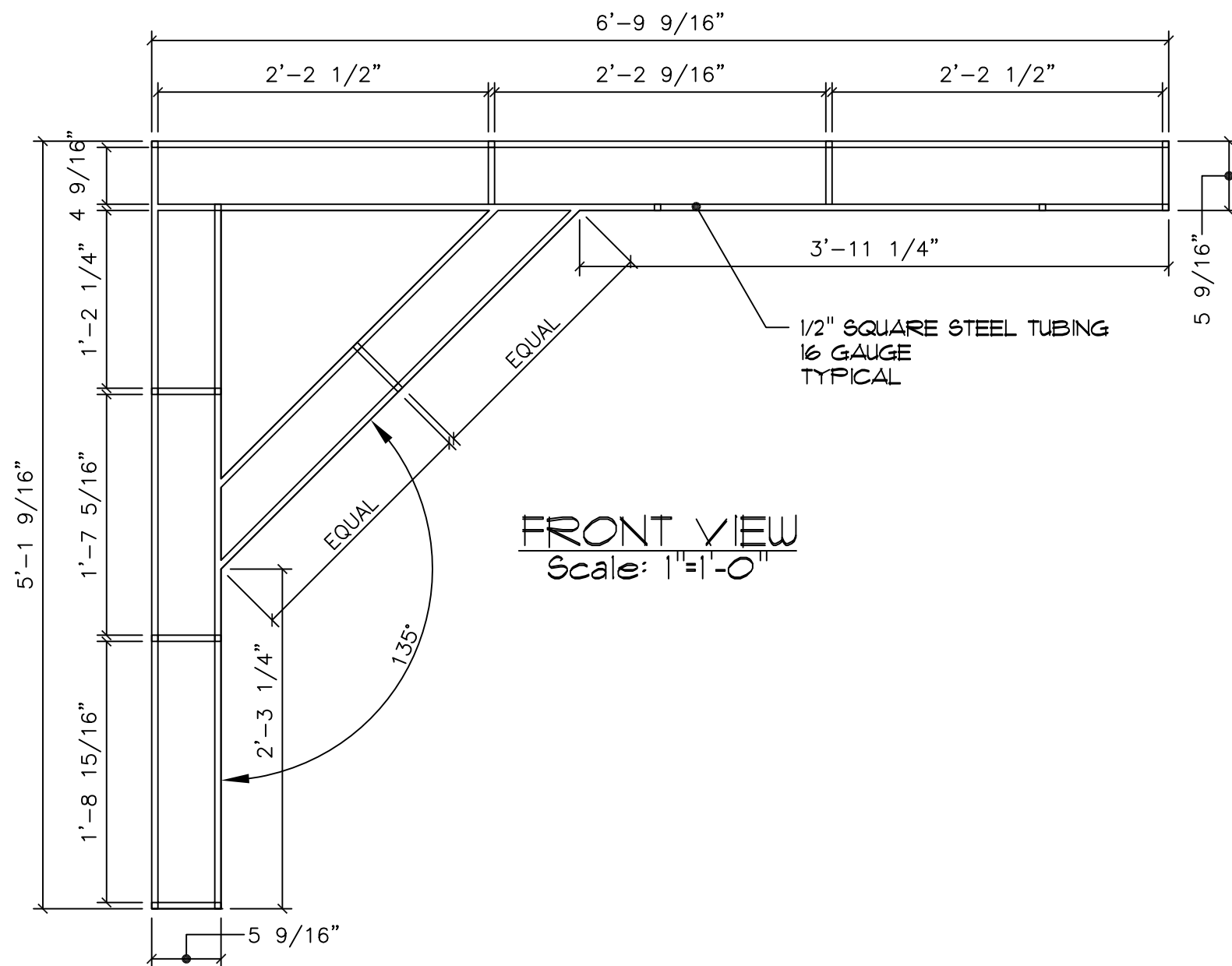
© COPYRIGHT 2009
THIS DOCUMENT IS THE PROPERTY OF THE DEFENSE
COMMISSARY AGENCY AND NO PART HEREIN SHALL BE
USED WITHOUT THE CONSENT OF THE DEFENSE
COMMISSARY AGENCY

DATE:	SOLICITATION ISSUE: 2-25-09
DATE:	CRITERIA ISSUE: 5-28-09
DATE:	
DATE:	

DeCA Decor 2009

Produce Bracket Signs

D-303
D-304
A-D
3 OF 5





Defense
Commissary
Agency
Lackland AFB, Texas
Fort Lee, Virginia

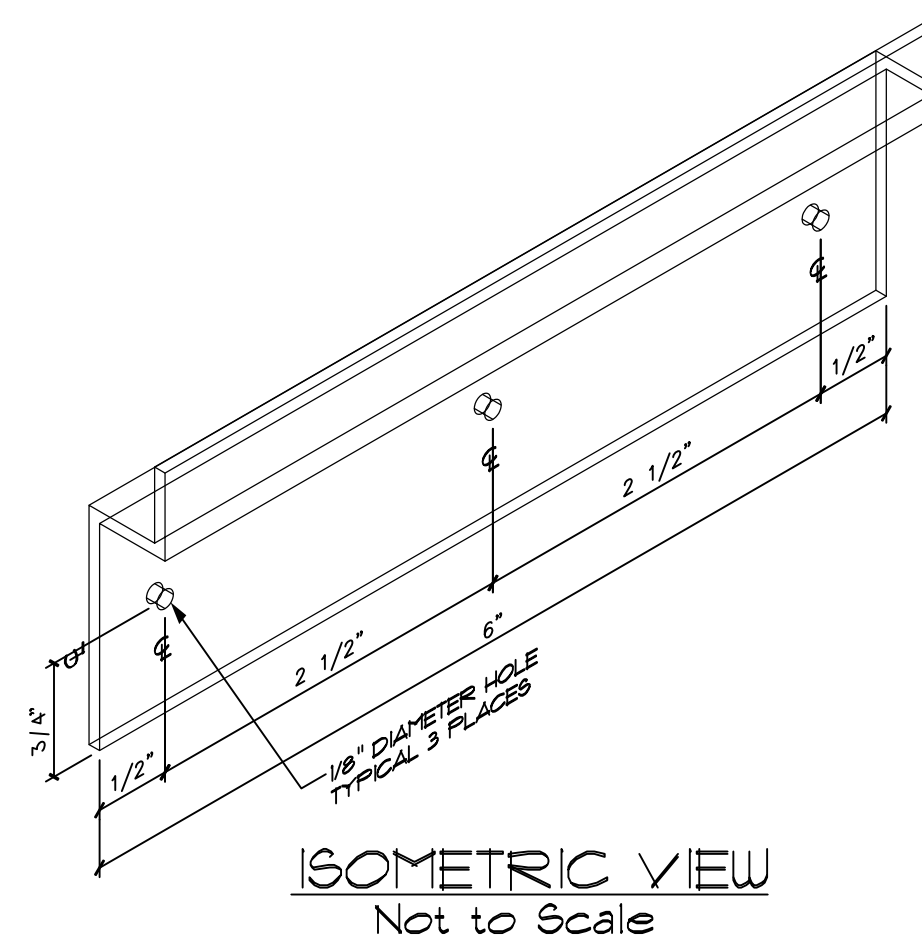
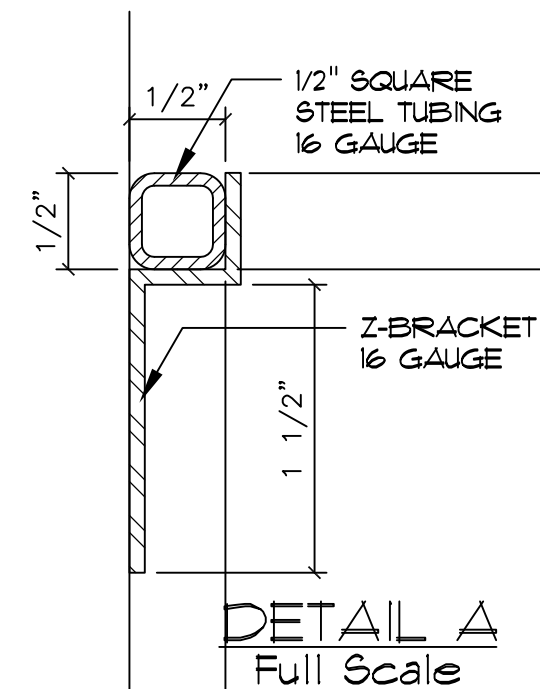
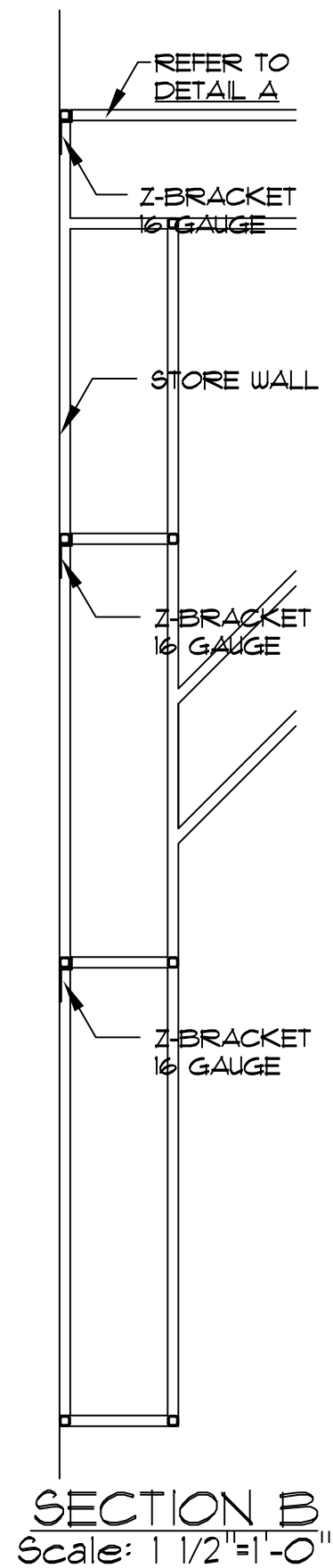
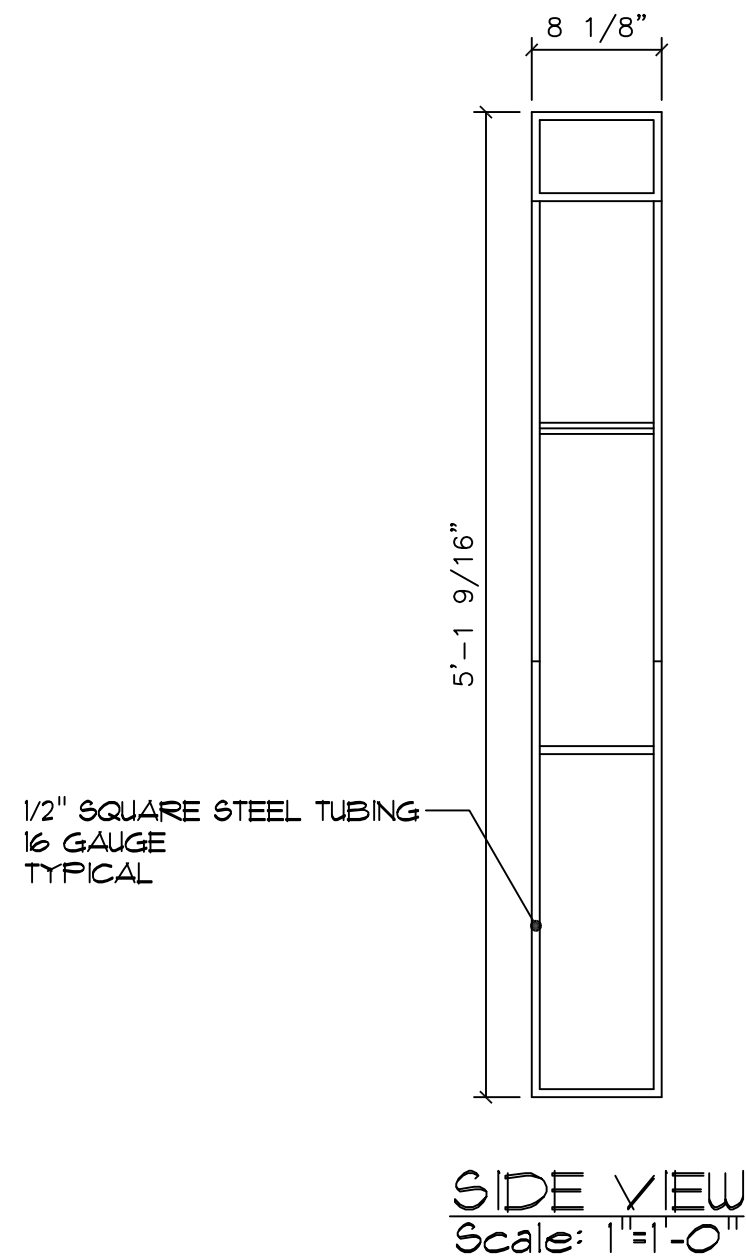
© COPYRIGHT 2009
THIS DOCUMENT IS THE PROPERTY OF THE DEFENSE
COMMISSARY AGENCY AND NO PART HEREIN SHALL BE
USED WITHOUT THE CONSENT OF THE DEFENSE
COMMISSARY AGENCY

DATE:	SOLICITATION ISSUE: 2-25-09
DATE:	CRITERIA ISSUE: 5-28-09
DATE:	
DATE:	

DeCA
Decor
2009

Produce
Bracket
Signs

D-303
D-304
A-D
4 OF 5





Defense
Commissary
Agency
Lackland AFB, Texas
Fort Lee, Virginia

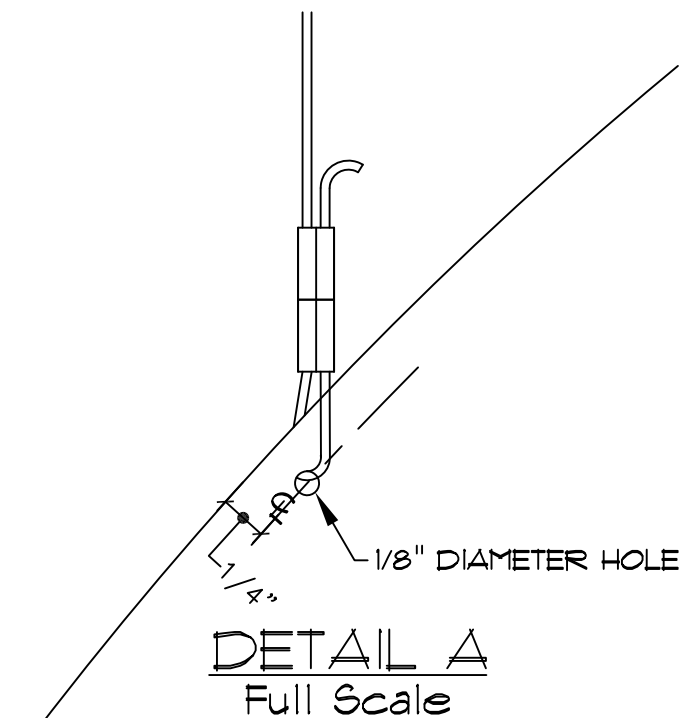
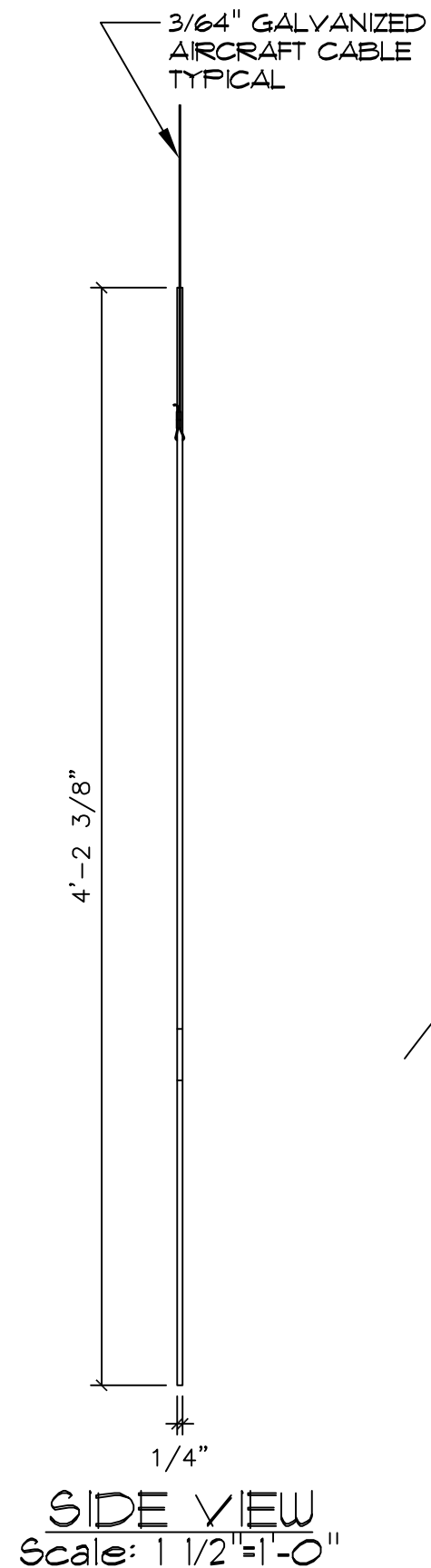
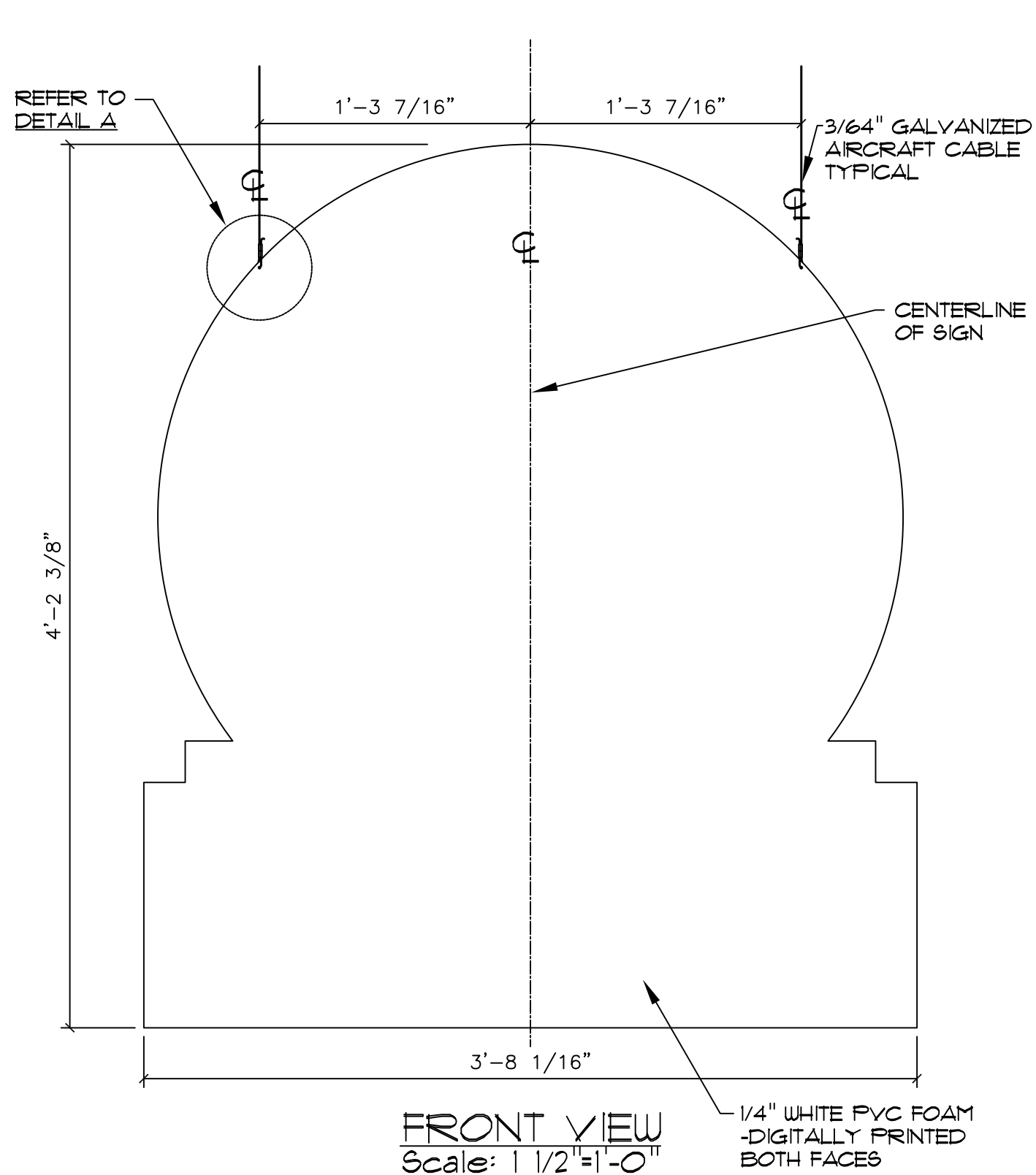
© COPYRIGHT 2009
THIS DOCUMENT IS THE PROPERTY OF THE DEFENSE
COMMISSARY AGENCY AND NO PART HEREIN SHALL BE
USED WITHOUT THE CONSENT OF THE DEFENSE
COMMISSARY AGENCY

DATE:	SOLICITATION ISSUE: 2-25-09
DATE:	CRITERIA ISSUE: 5-28-09
DATE:	
DATE:	

DeCA
Decor
2009

Produce
Bracket
Signs

D-303
D-304
A-D
5 OF 5





Defense
Commissary
Agency
Lackland AFB, Texas
Fort Lee, Virginia

© COPYRIGHT 2009
THIS DOCUMENT IS THE PROPERTY OF THE DEFENSE
COMMISSARY AGENCY AND NO PART HEREIN SHALL BE
USED WITHOUT THE CONSENT OF THE DEFENSE
COMMISSARY AGENCY

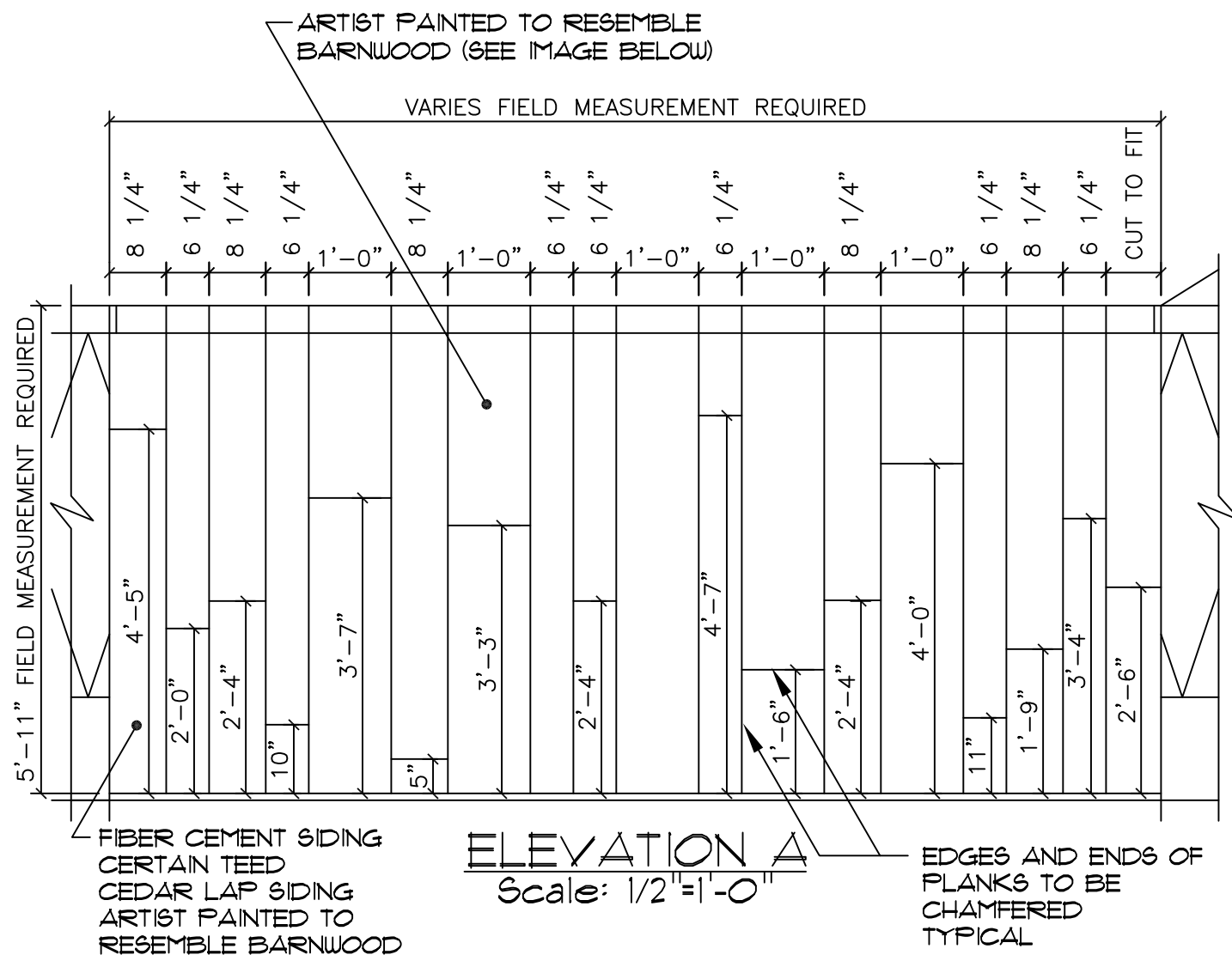
DATE:	SOLICITATION ISSUE: 2-25-09
DATE:	CRITERIA ISSUE: 5-28-09
DATE:	
DATE:	

DeCA
Decor
2009

Produce
Planking

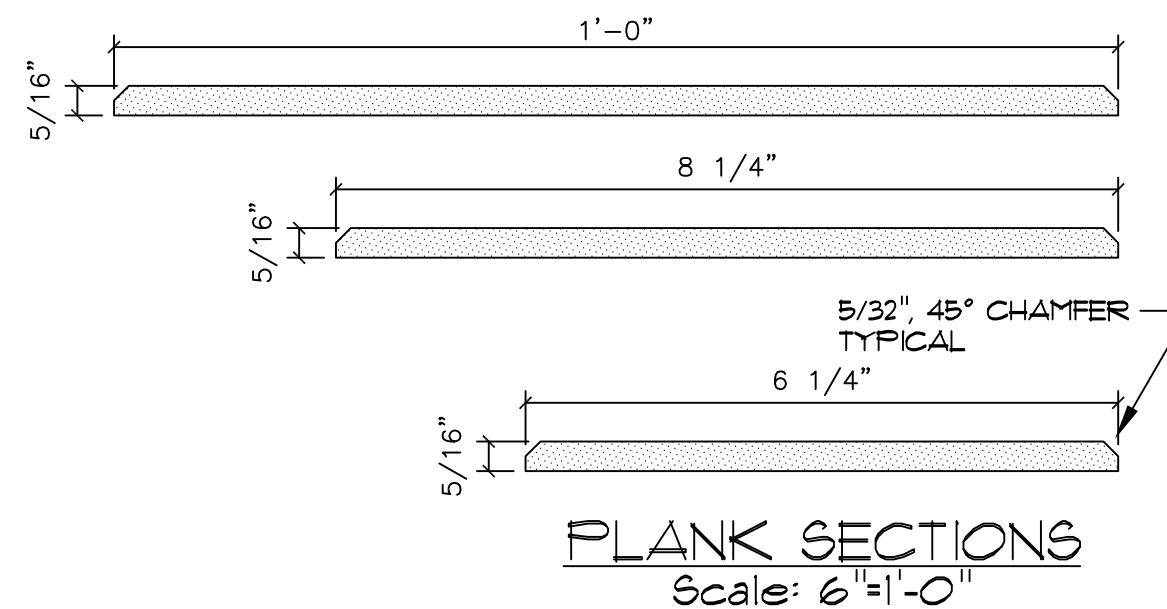
D-305

1 OF 1



GENERAL NOTES:

1. FIELD MEASUREMENTS OF SOFFIT HEIGHT AND LENGTH ARE REQUIRED PRIOR TO MANUFACTURING
2. DIMENSIONS SHOWN ARE TYPICAL WHERE PRODUCE PLANKING IS TO BE INSTALLED

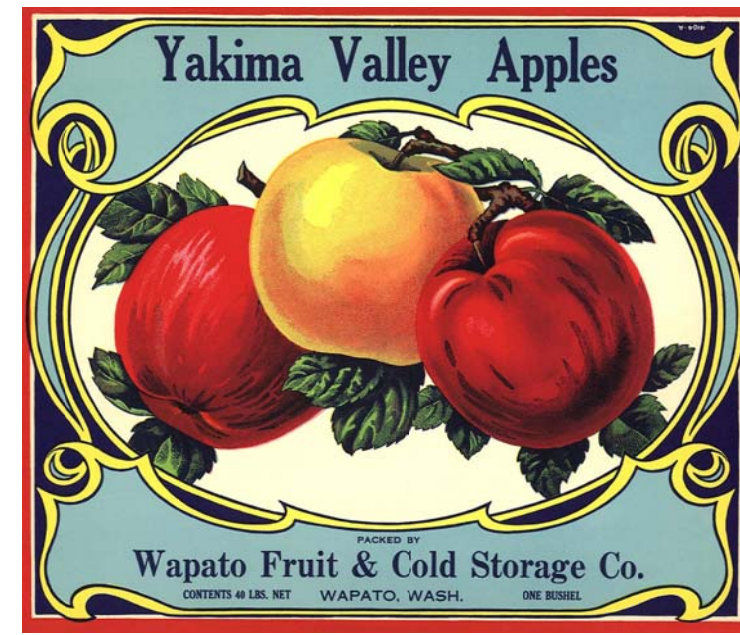




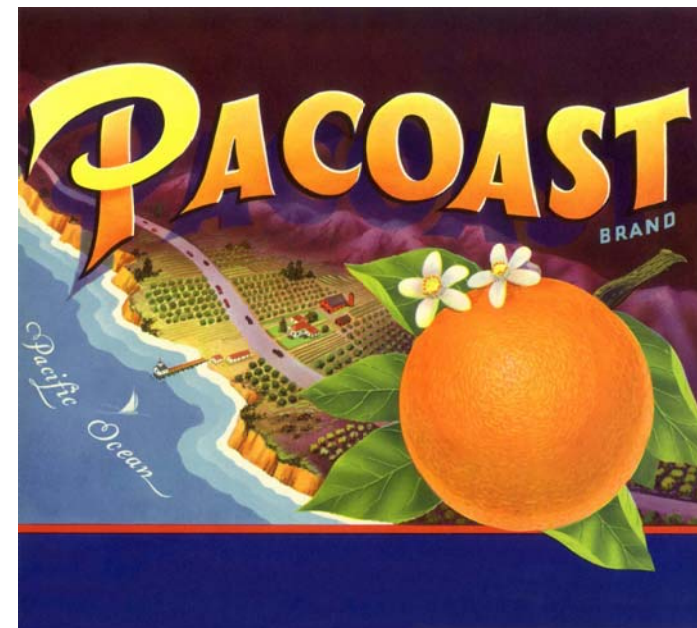
D-306A



D-306B



D-306C



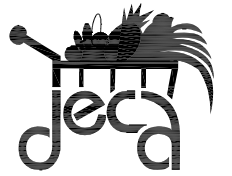
D-306D



D-306E



D-306F



Defense
Commissary
Agency
Lackland AFB, Texas
Fort Lee, Virginia

© COPYRIGHT 2009
THIS DOCUMENT IS THE PROPERTY OF THE DEFENSE
COMMISSARY AGENCY AND NO PART HEREIN SHALL BE
USED WITHOUT THE CONSENT OF THE DEFENSE
COMMISSARY AGENCY

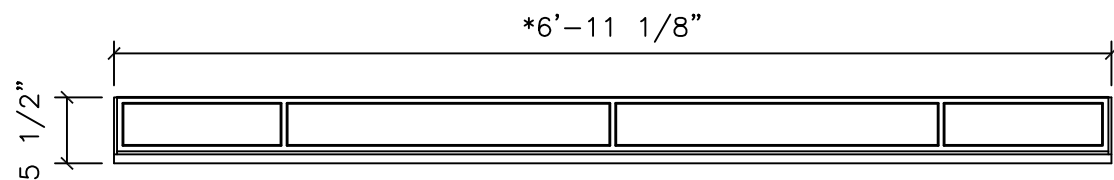
DATE:	SOLICITATION ISSUE: 2-25-09
DATE:	CRITERIA ISSUE: 5-28-09
DATE:	
DATE:	

DeCA
Decor
2009

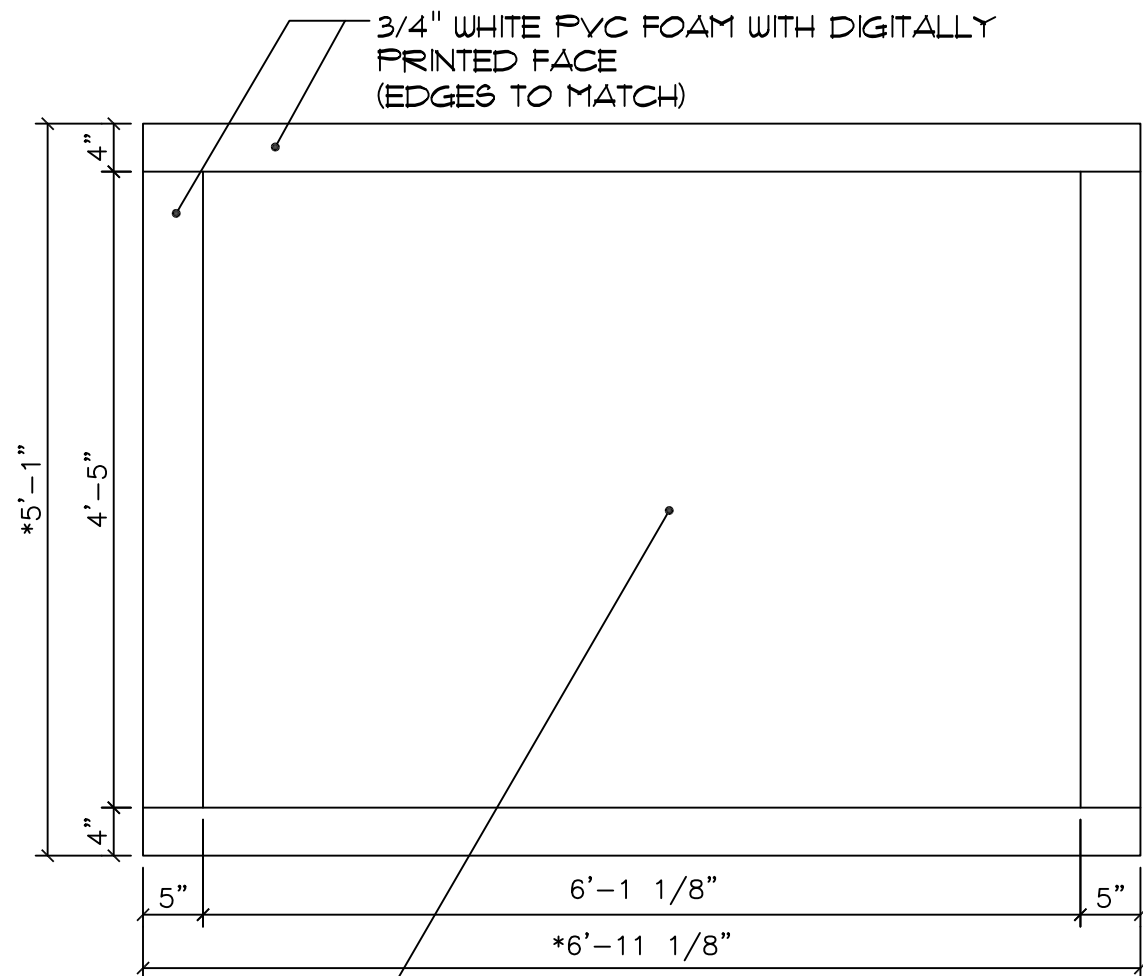
Produce
Wall
Crates

D-306
A-F

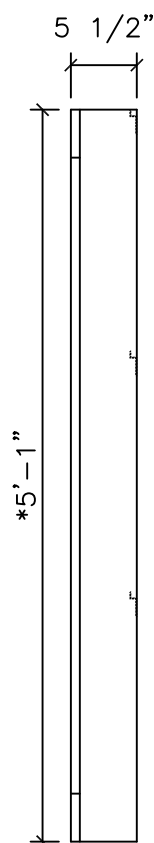
GENERAL NOTES:
 -VARY SIZES OF CRATES THAT ARE ADJACENT TO EACH OTHER.
 * SCALE CRATES ACCORDING TO STORE CEILING HEIGHT TO FIT WITHIN SOFFIT.



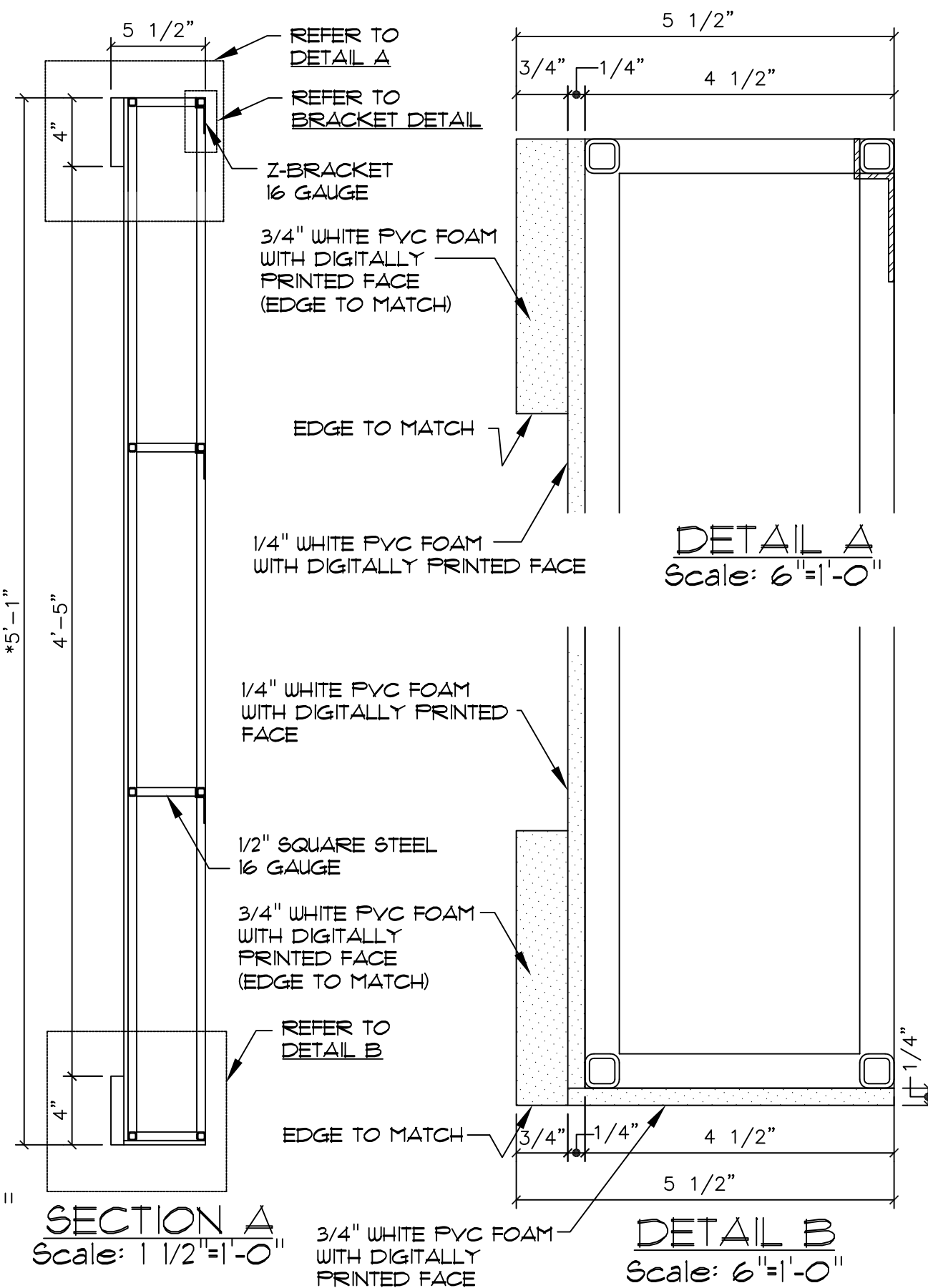
PLAN VIEW
 Scale: 3/4"=1'-0"



FRONT VIEW
 Scale: 3/4"=1'-0"



SIDE VIEW
 Scale: 3/4"=1'-0"



SECTION A
 Scale: 1 1/2"=1'-0"

DETAIL A
 Scale: 6"=1'-0"

DETAIL B
 Scale: 6"=1'-0"



Defense Commissary Agency
 Lackland AFB, Texas
 Fort Lee, Virginia

© COPYRIGHT 2009
 THIS DOCUMENT IS THE PROPERTY OF THE DEFENSE COMMISSARY AGENCY AND NO PART HEREIN SHALL BE USED WITHOUT THE CONSENT OF THE DEFENSE COMMISSARY AGENCY

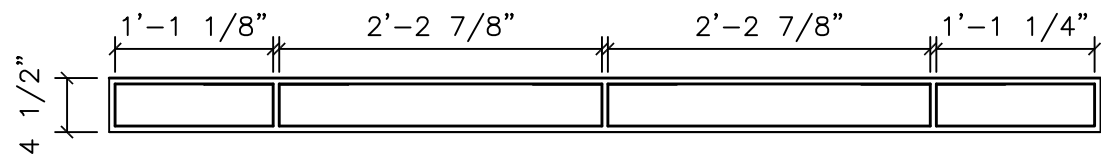
DATE:	SOLICITATION ISSUE: 2-25-09
DATE:	CRITERIA ISSUE: 5-28-09
DATE:	
DATE:	

DeCA
 Decor
 2009

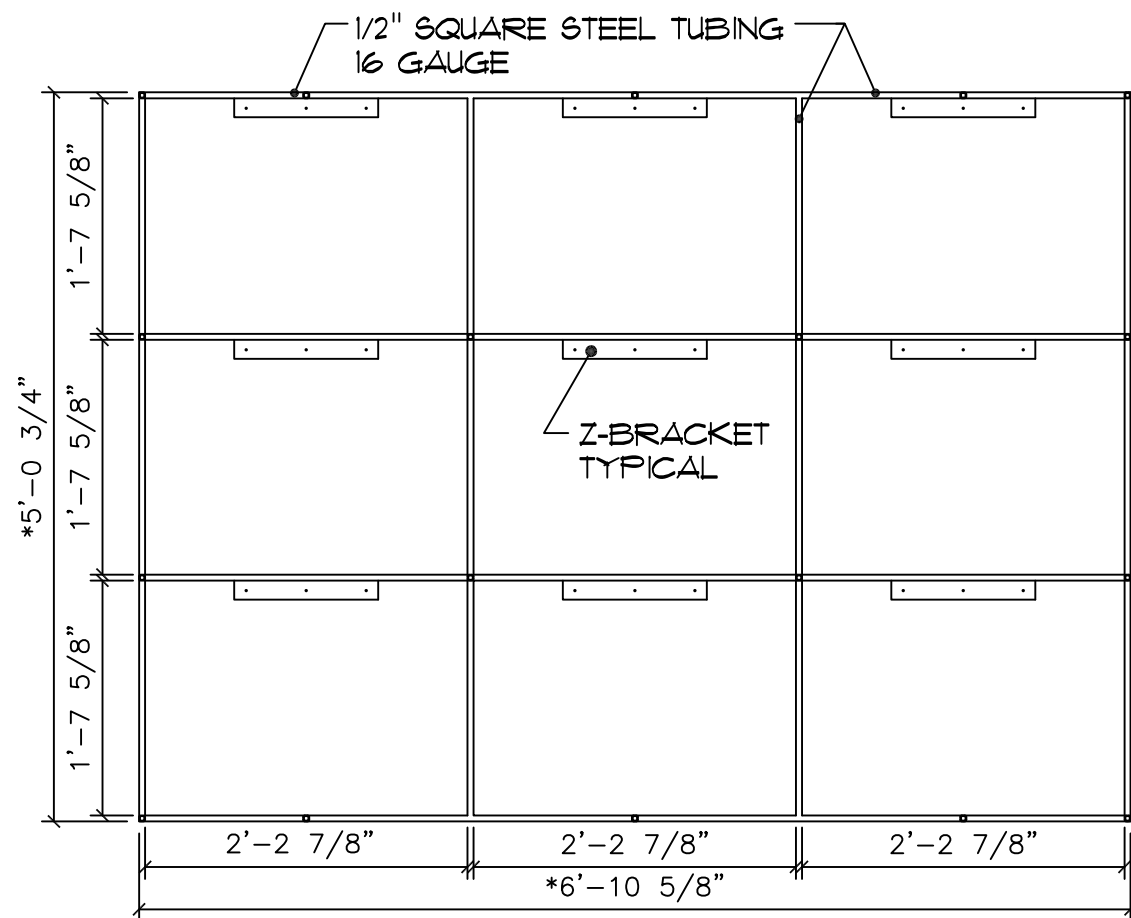
Produce
 Wall
 Crates

D-306
 A-F

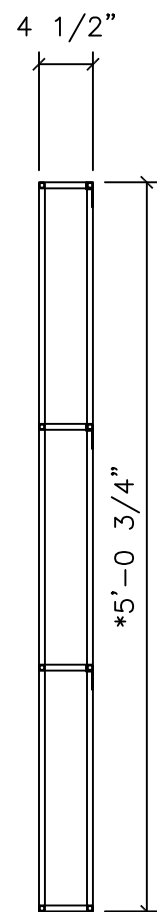
GENERAL NOTES:
 -VARY SIZES OF CRATES THAT ARE ADJACENT TO EACH OTHER.
 -SCALE CRATES ACCORDING TO STORE CEILING HEIGHT TO FIT WITHIN SOFFIT.



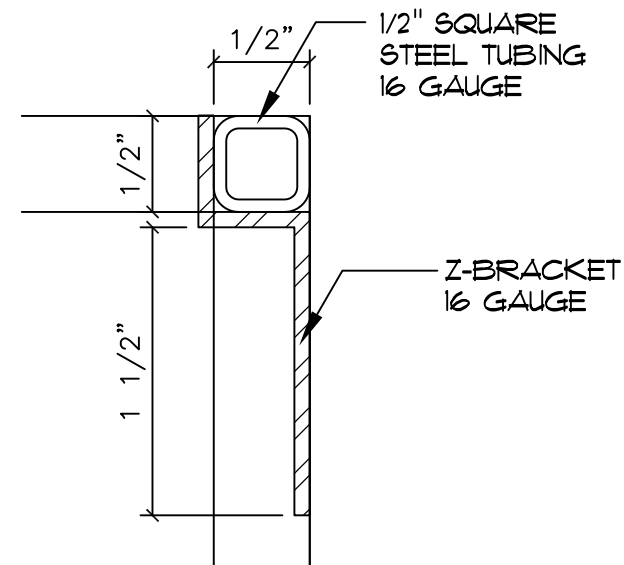
PLAN VIEW
 Scale: 3/4"=1'-0"



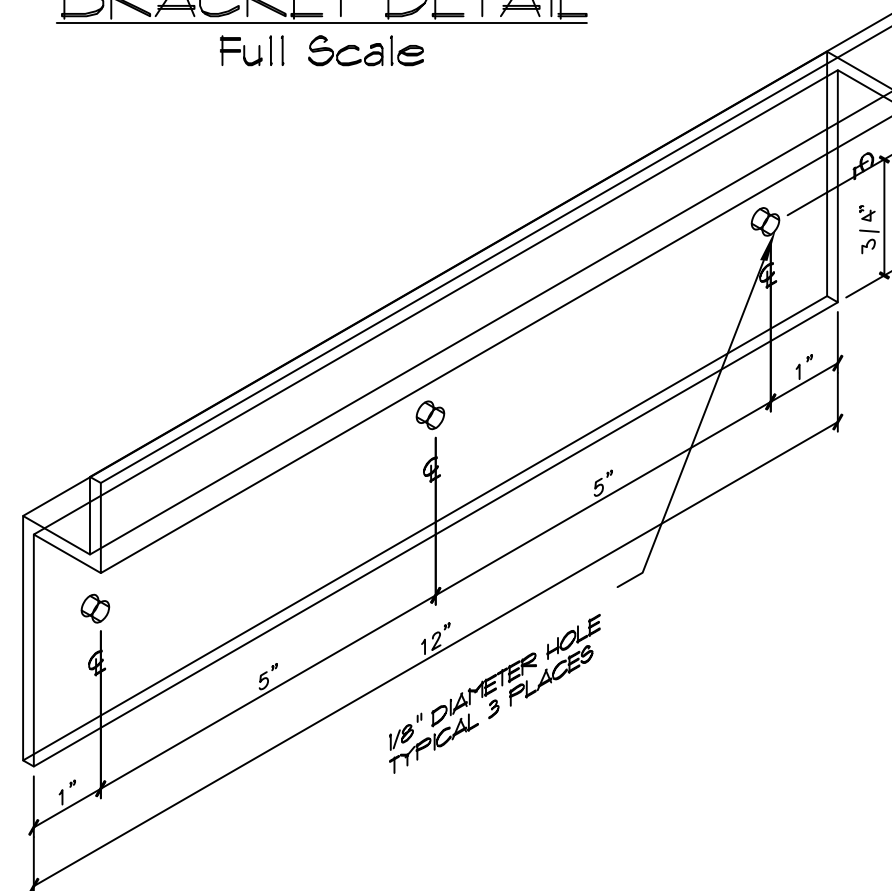
FRONT VIEW
 Scale: 3/4"=1'-0"



SIDE VIEW
 Scale: 3/4"=1'-0"



BRACKET DETAIL
 Full Scale



ISOMETRIC VIEW
 NOT TO SCALE



Defense Commissary Agency
 Lackland AFB, Texas
 Fort Lee, Virginia

© COPYRIGHT 2009
 THIS DOCUMENT IS THE PROPERTY OF THE DEFENSE COMMISSARY AGENCY AND NO PART HEREIN SHALL BE USED WITHOUT THE CONSENT OF THE DEFENSE COMMISSARY AGENCY
 DATE: SOLICITATION ISSUE: 2-25-09
 DATE: CRITERIA ISSUE: 5-28-09
 DATE:
 DATE:

DeCA
 Decor
 2009

Produce
 Wall
 Crates

D-306
 A-F



Defense
Commissary
Agency
Lackland AFB, Texas
Fort Lee, Virginia

© COPYRIGHT 2009
THIS DOCUMENT IS THE PROPERTY OF THE DEFENSE
COMMISSARY AGENCY AND NO PART HEREIN SHALL BE
USED WITHOUT THE CONSENT OF THE DEFENSE
COMMISSARY AGENCY

DATE:	SOLICITATION ISSUE: 2-25-09
DATE:	CRITERIA ISSUE: 5-28-09
DATE:	
DATE:	

DeCA
Decor
2009

Farm
Silos

D-308

1 OF 3

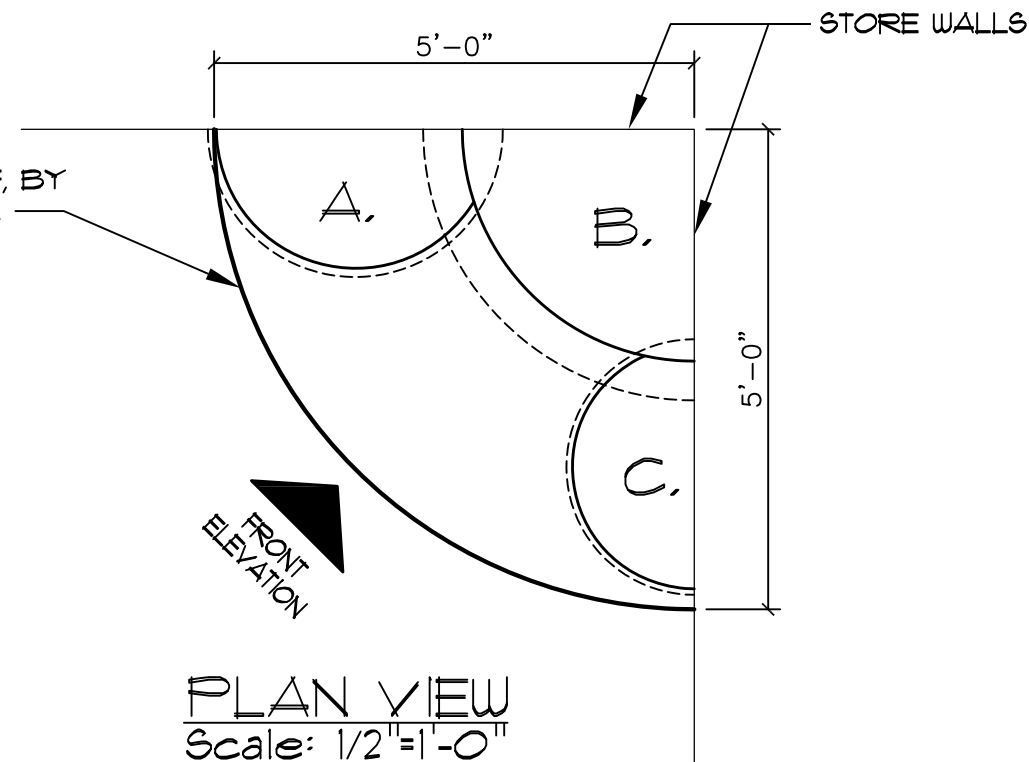
LINE OF IN STORE SHELF, BY
GENERAL CONTRACTOR

GENERAL NOTES:
- FIELD DIMENSIONS OF
ENTIRE CORNER SHELF
REQUIRED PRIOR TO
MANUFACTURING.

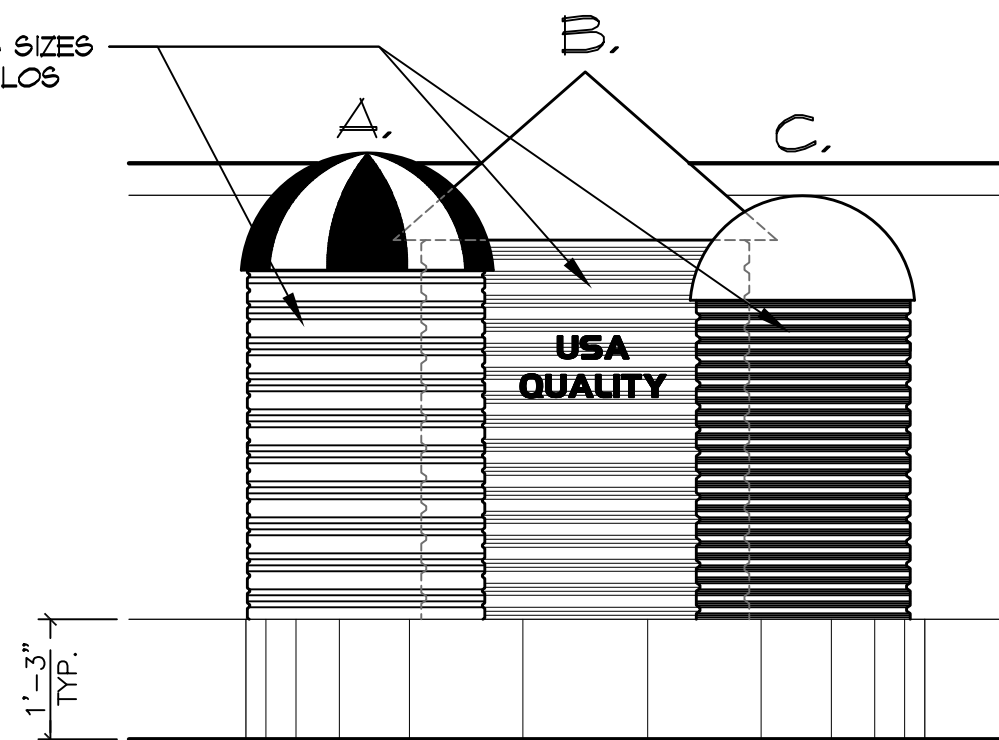
- FARM SILOS SHALL
NOT BE USED IN
STORES WITH CEILING
HEIGHT > 14'

- REDUCE FARM SILO
DIMENSIONS WITH * BY
20% FOR STORES WITH
14' CEILING HEIGHT

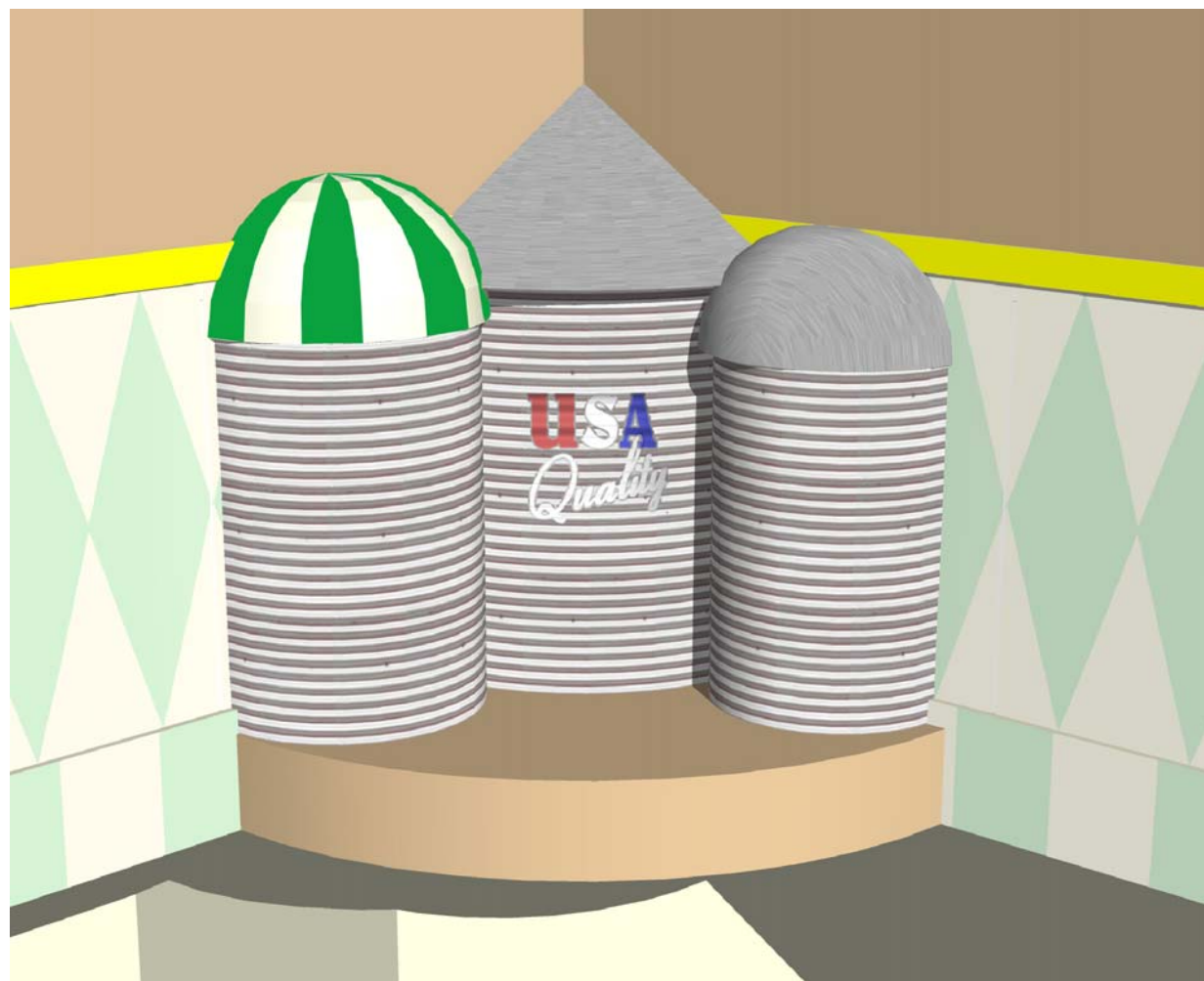
- VARY RIB SIZES
AMONG 3 SILOS



PLAN VIEW
Scale: 1/2"=1'-0"



FRONT VIEW
Scale: 1/2"=1'-0"



D-308



Defense Commissary Agency

Lackland AFB, Texas
Fort Lee, Virginia

© COPYRIGHT 2009

THIS DOCUMENT IS THE PROPERTY OF THE DEFENSE COMMISSARY AGENCY AND NO PART HEREIN SHALL BE USED WITHOUT THE CONSENT OF THE DEFENSE COMMISSARY AGENCY

DATE: SOLICITATION ISSUE: 2-25-09

DATE: CRITERIA ISSUE: 5-28-09

DATE:

DATE:

DeCA
Decor
2009

Farm
Silos

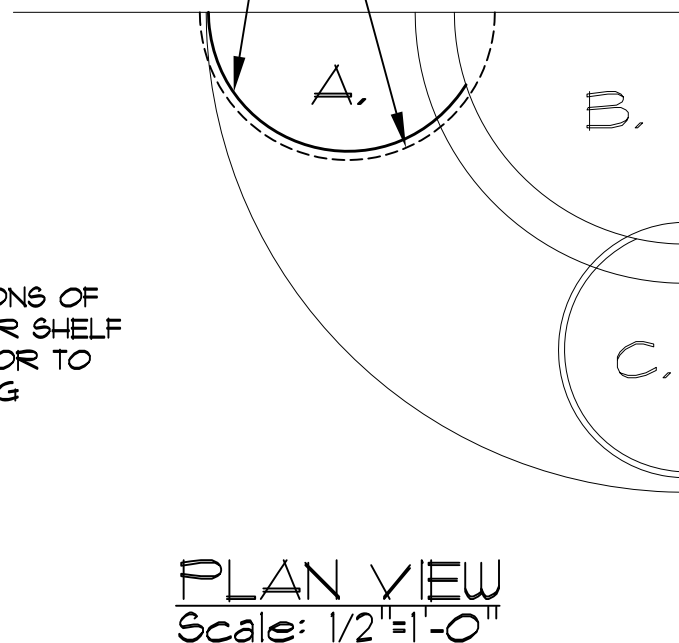
D-308

2 OF 3

1' 5-3/8" RADIUS
SILO BASE, 3'-9"
ARC LENGTH

1' 6-1/2" RADIUS DOME
SHOWN DASHED,
4'-10" ARC LENGTH

NOTE:
FIELD DIMENSIONS OF
ENTIRE CORNER SHELF
REQUIRED PRIOR TO
MANUFACTURING

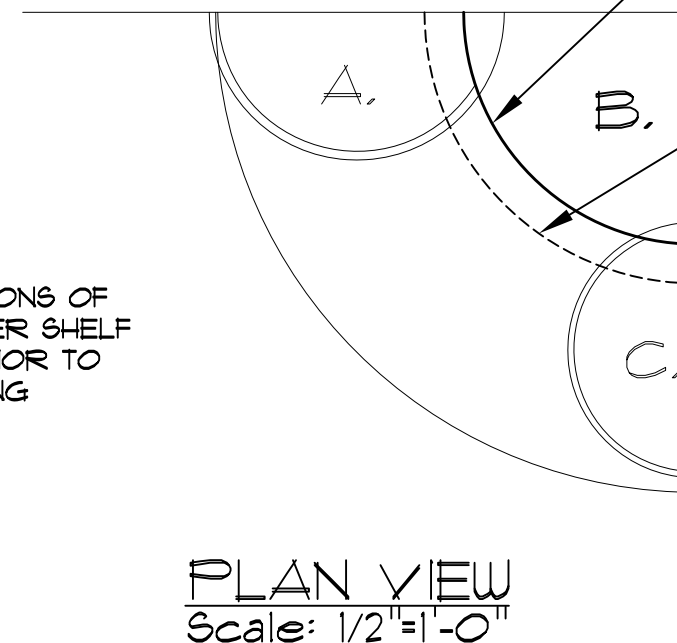


PLAN VIEW
Scale: 1/2"=1'-0"

2'-5" RADIUS SILO
BASE, 3' 9-1/2"
ARC LENGTH

2' 9-7/8" RADIUS
CAP SHOWN
DASHED, 4' 5-1/4"
ARC LENGTH

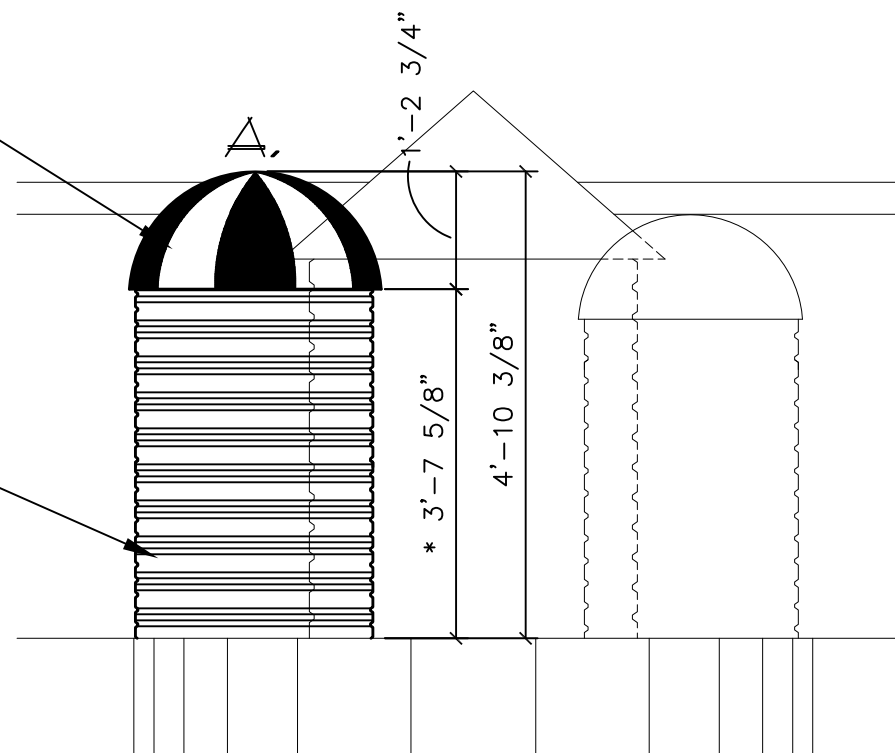
NOTE:
FIELD DIMENSIONS OF
ENTIRE CORNER SHELF
REQUIRED PRIOR TO
MANUFACTURING



PLAN VIEW
Scale: 1/2"=1'-0"

ARTISTICALLY
PAINTED DOME,
SHAPE TO FIT WITH
ADJOINING SILO
ROOF

CORRUGATED
ALUMINUM, SHAPED
TO FIT RADIUS, RUN
RIB LINES
HORIZONTAL

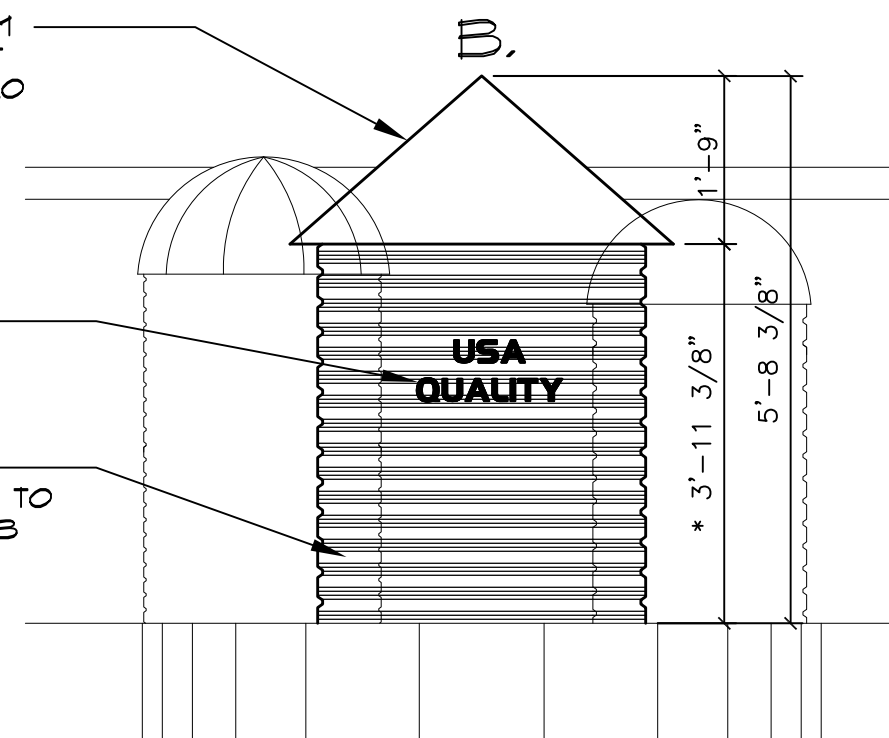


FRONT VIEW
Scale: 1/2"=1'-0"

BRUSHED ALUMINUM
CAP, SHAPE TO FIT
WITH ADJOINING SILO
ROOFS

ARTISTICALLY
PAINTED "USA
QUALITY" LOGO

CORRUGATED
ALUMINUM, SHAPED TO
FIT RADIUS, RUN RIB
LINES HORIZONTAL



FRONT VIEW
Scale: 1/2"=1'-0"



Defense
Commissary
Agency
Lackland AFB, Texas
Fort Lee, Virginia

© COPYRIGHT 2009
THIS DOCUMENT IS THE PROPERTY OF THE DEFENSE
COMMISSARY AGENCY AND NO PART HEREIN SHALL BE
USED WITHOUT THE CONSENT OF THE DEFENSE
COMMISSARY AGENCY

DATE:	SOLICITATION ISSUE: 2-25-09
DATE:	CRITERIA ISSUE: 5-28-09
DATE:	
DATE:	

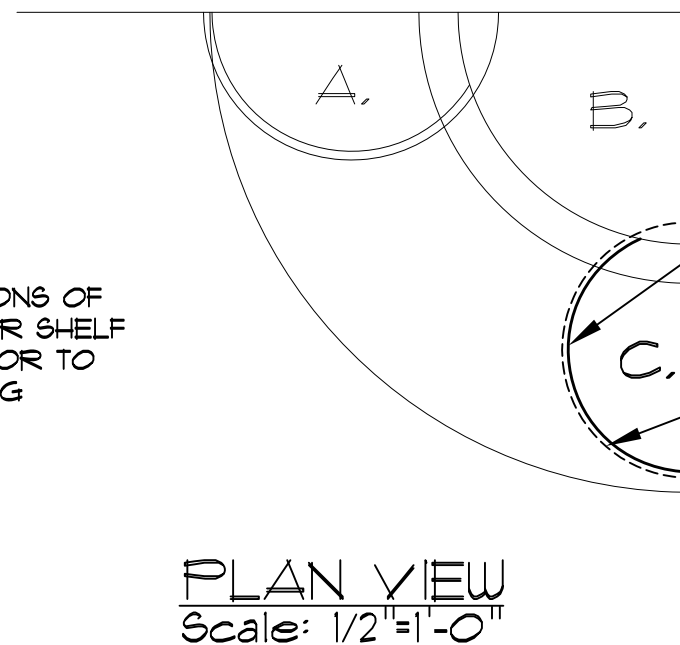
DeCA
Decor
2009

Farm
Silos

D-308

3 OF 3

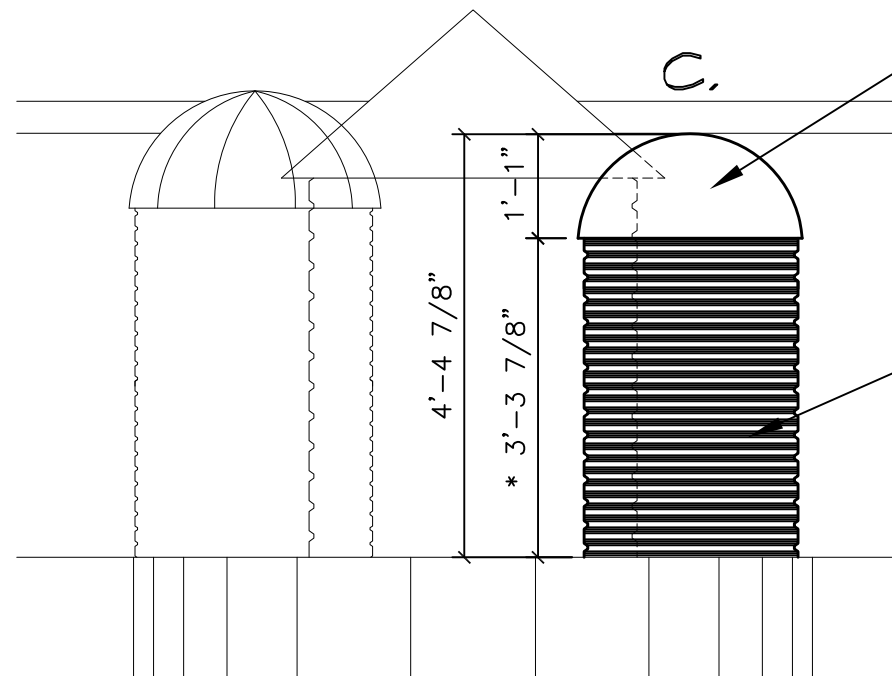
NOTE:
FIELD DIMENSIONS OF
ENTIRE CORNER SHELF
REQUIRED PRIOR TO
MANUFACTURING



1' 3-1/4" RADIUS
SILO BASE, 3'
5-3/8" ARC
LENGTH

1'-4" RADIUS DOME
SHOWN DASHED, 4'
2-1/4" ARC LENGTH

PLAN VIEW
Scale: 1/2"=1'-0"



BRUSHED ALUMINUM
DOME, SHAPE TO FIT
WITH ADJOINING SILO
ROOF

CORRUGATED
ALUMINUM, SHAPED
TO FIT RADIUS, RUN
RIB LINES
HORIZONTAL

FRONT VIEW
Scale: 1/2"=1'-0"



Defense
Commissary
Agency
Lackland AFB, Texas
Fort Lee, Virginia

© COPYRIGHT 2009
THIS DOCUMENT IS THE PROPERTY OF THE DEFENSE
COMMISSARY AGENCY AND NO PART HEREIN SHALL BE
USED WITHOUT THE CONSENT OF THE DEFENSE
COMMISSARY AGENCY

DATE:	SOLICITATION ISSUE: 2-25-09
DATE:	CRITERIA ISSUE: 5-28-09
DATE:	
DATE:	

DeCA
Decor
2009

Produce
Graphic
Boxes

D-313
A,C
1 OF 4



D-313A

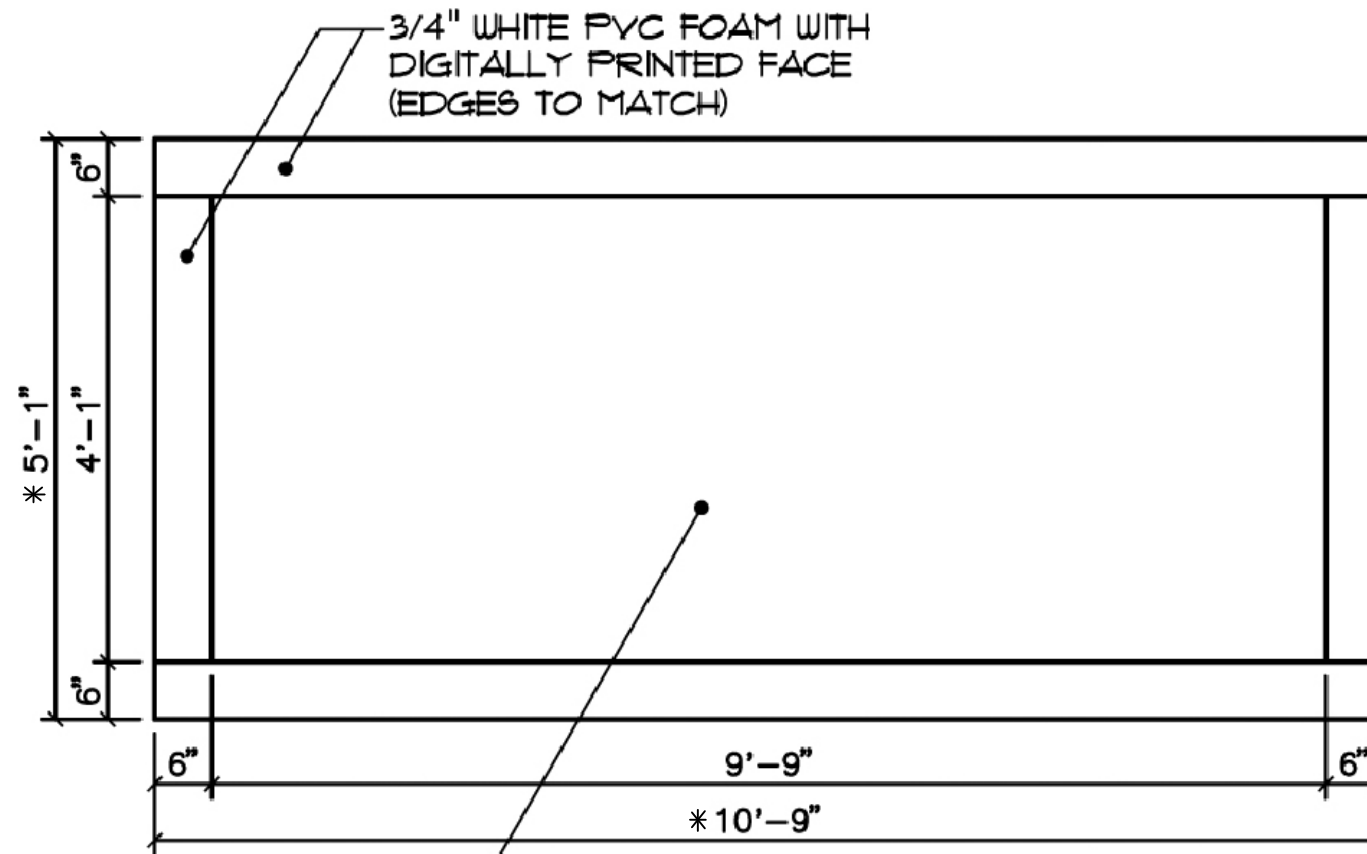


D-313C

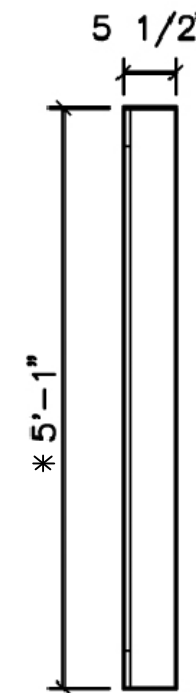
GENERAL NOTES:
 * SCALE CRATES ACCORDING
 TO STORE CEILING HEIGHT TO
 FIT WITHIN SOFFIT.



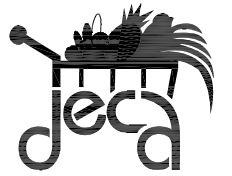
PLAN VIEW
 Scale: 1/2"=1'-0"



FRONT VIEW
 Scale: 1/2"=1'-0"



SIDE VIEW
 Scale: 1/2"=1'-0"



Defense
 Commissary
 Agency
 Lackland AFB, Texas
 Fort Lee, Virginia

© COPYRIGHT 2009
 THIS DOCUMENT IS THE PROPERTY OF THE DEFENSE
 COMMISSARY AGENCY AND NO PART HEREIN SHALL BE
 USED WITHOUT THE CONSENT OF THE DEFENSE
 COMMISSARY AGENCY
 DATE: SOLICITATION ISSUE: 2-25-09
 DATE: CRITERIA ISSUE: 5-28-09
 DATE:
 DATE:

DeCA
 Decor
 2009

Produce
 Graphic
 Boxes

D-313
 A,C
 2 OF 4



Defense
Commissary
Agency
Lackland AFB, Texas
Fort Lee, Virginia

© COPYRIGHT 2009
THIS DOCUMENT IS THE PROPERTY OF THE DEFENSE
COMMISSARY AGENCY AND NO PART HEREIN SHALL BE
USED WITHOUT THE CONSENT OF THE DEFENSE
COMMISSARY AGENCY

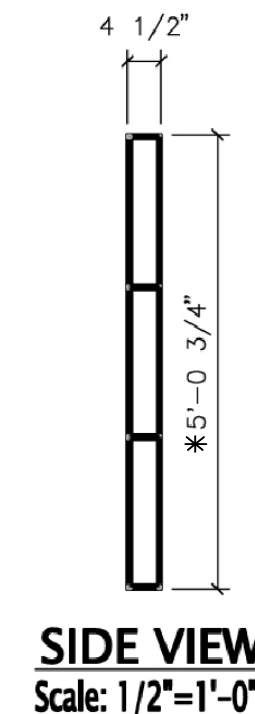
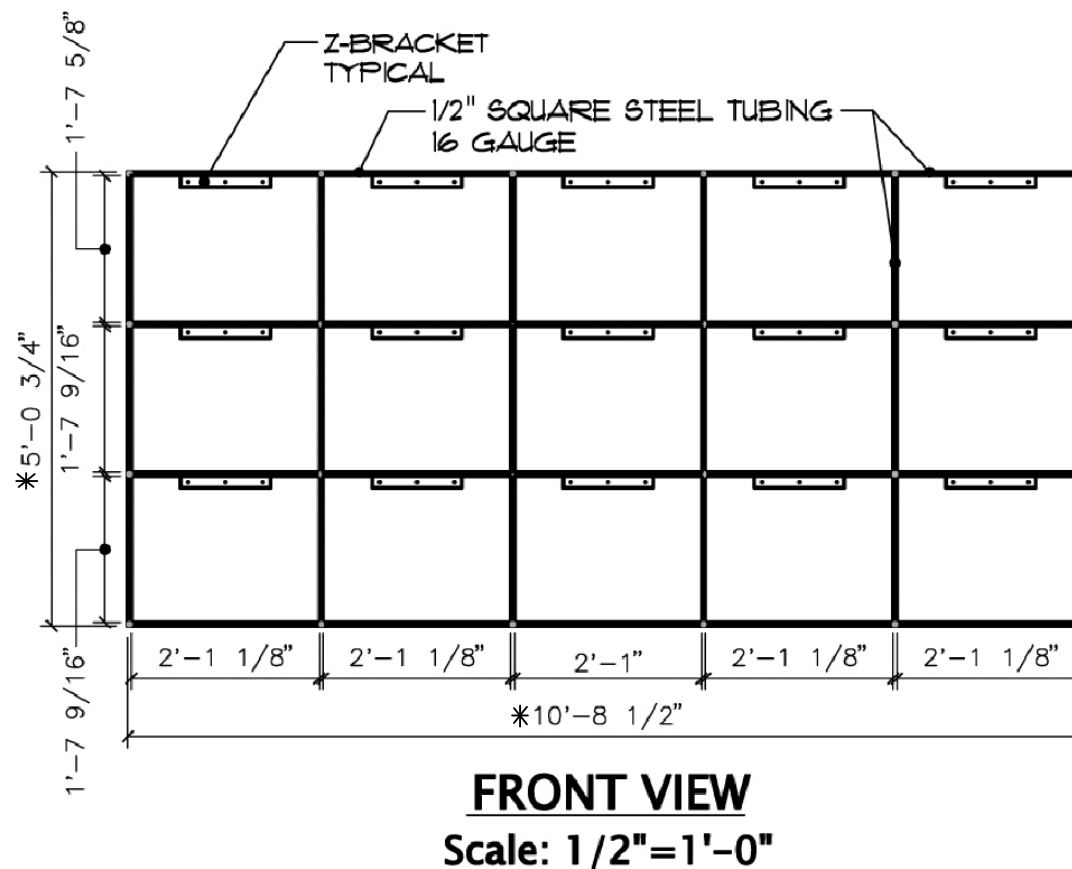
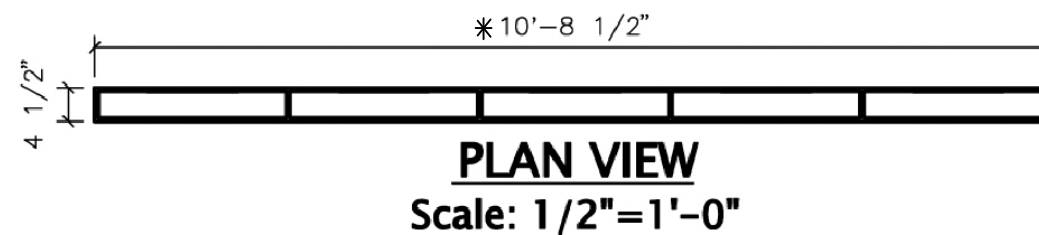
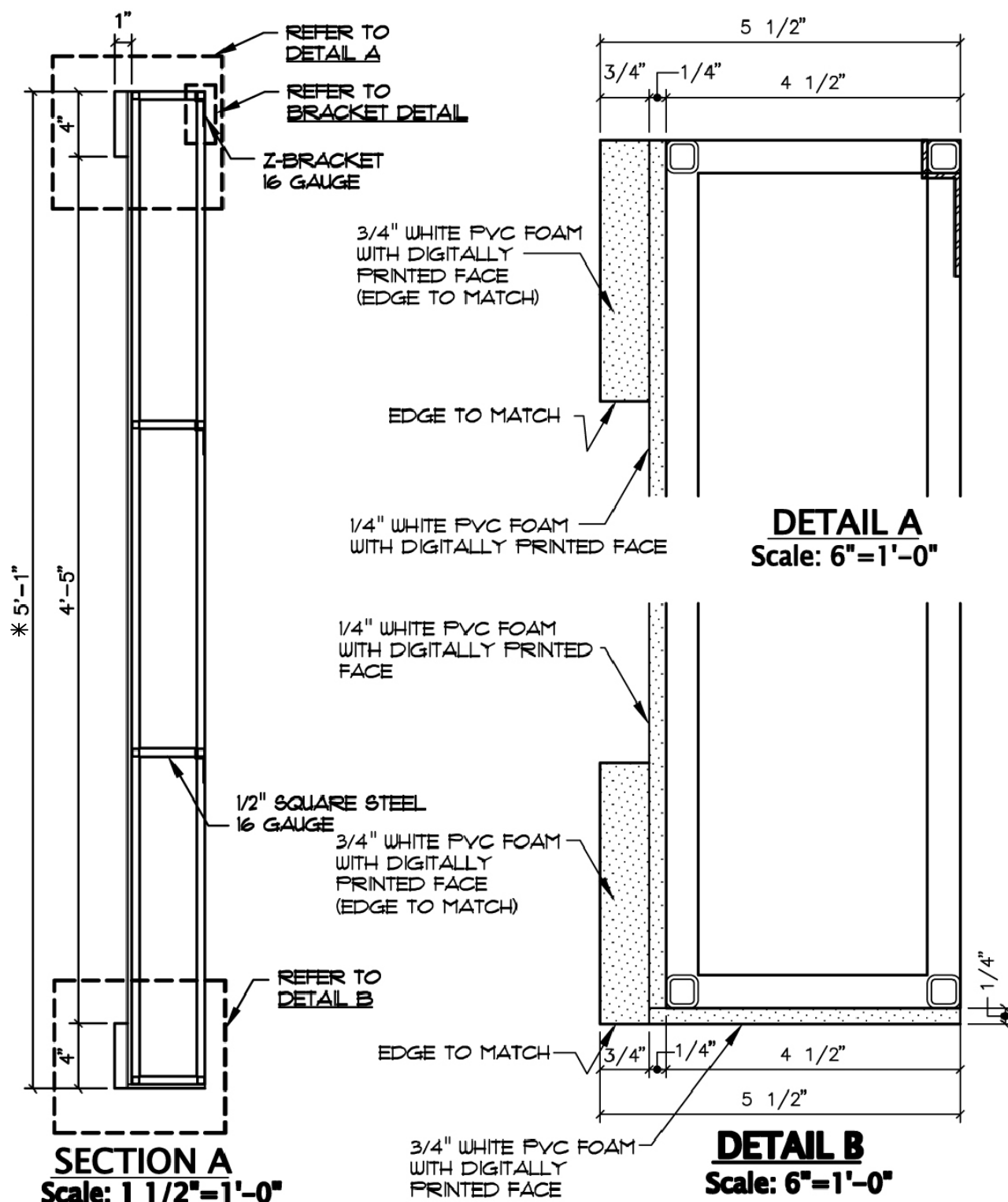
DATE:	SOLICITATION ISSUE: 2-25-09
DATE:	CRITERIA ISSUE: 5-28-09
DATE:	
DATE:	

DeCA
Decor
2009

Produce
Graphic
Boxes

D-313
A,C
3 OF 4

GENERAL NOTES:
* SCALE CRATES ACCORDING
TO STORE CEILING HEIGHT TO
FIT WITHIN SOFFIT.





Defense
Commissary
Agency
Lackland AFB, Texas
Fort Lee, Virginia

© COPYRIGHT 2009

THIS DOCUMENT IS THE PROPERTY OF THE DEFENSE
COMMISSARY AGENCY AND NO PART HEREIN SHALL BE
USED WITHOUT THE CONSENT OF THE DEFENSE
COMMISSARY AGENCY

DATE: SOLICITATION ISSUE: 2-25-09

DATE: CRITERIA ISSUE: 5-28-09

DATE:

DATE:

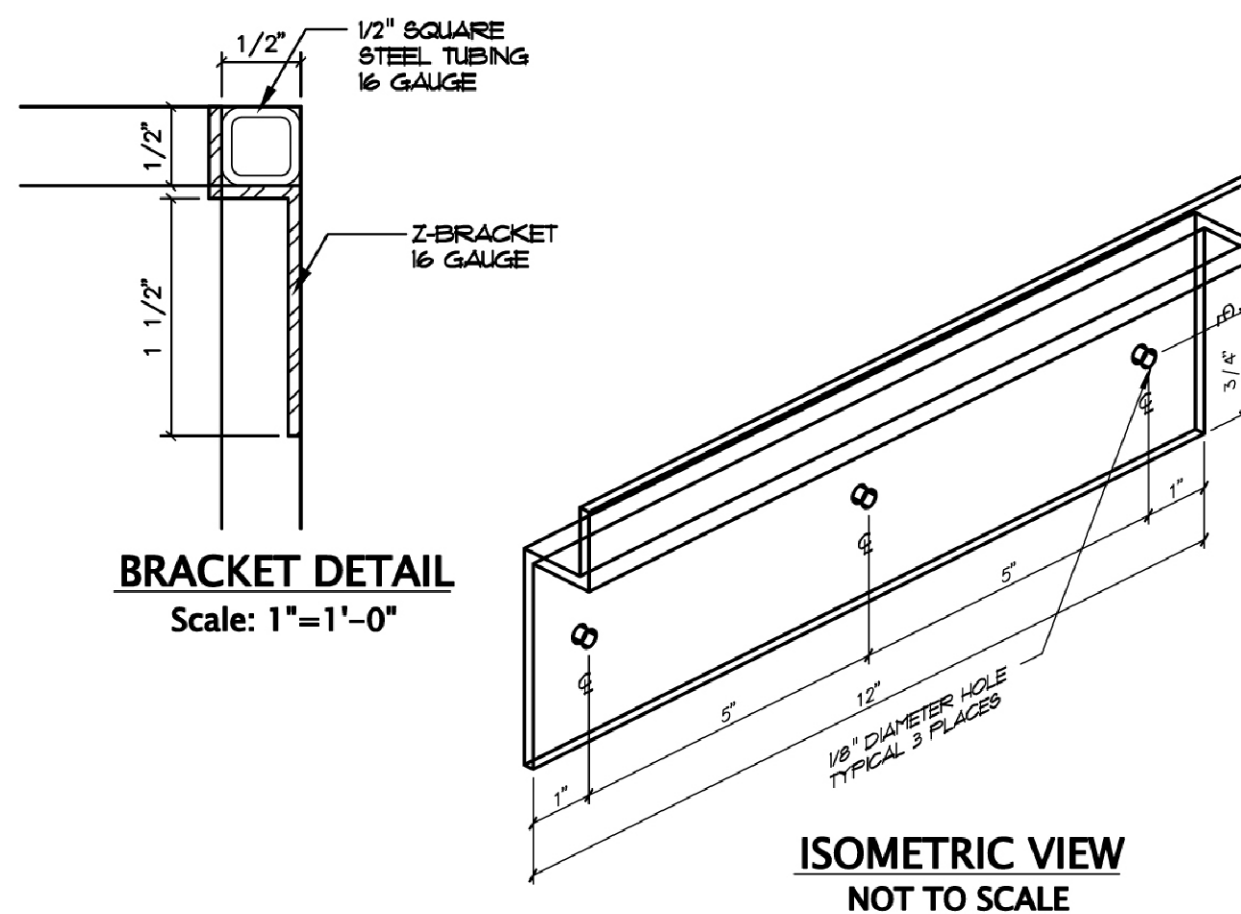
DATE:

DeCA
Decor
2009

Produce
Graphic
Boxes

D-313
A,C

4 OF 4

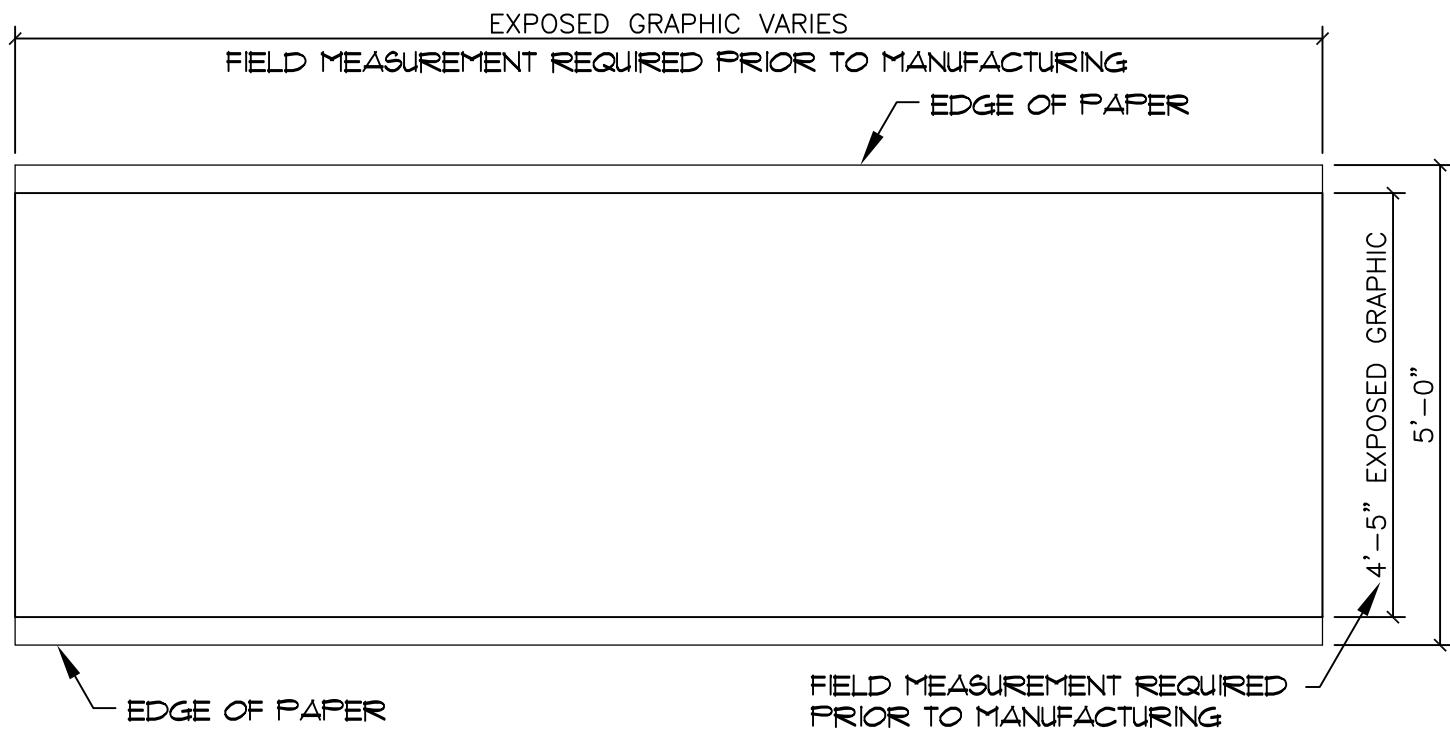




Defense Commissary Agency
Lackland AFB, Texas
Fort Lee, Virginia

© COPYRIGHT 2009
THIS DOCUMENT IS THE PROPERTY OF THE DEFENSE COMMISSARY AGENCY AND NO PART HEREIN SHALL BE USED WITHOUT THE CONSENT OF THE DEFENSE COMMISSARY AGENCY

DATE:	SOLICITATION ISSUE: 2-25-09
DATE:	CRITERIA ISSUE: 5-28-09
DATE:	
DATE:	



GENERAL NOTES:

1. FIELD MEASUREMENTS OF SOFFIT FACE AND LENGTH ARE REQUIRED PRIOR TO MANUFACTURING
2. GRAPHIC TO BE PRINTED ON KOROGRAPHICS WALL-COVERING MATERIAL

ELEVATION A
Scale: 1/2"=1'-0"



D-401A



D-601A



D-601B

DeCA
Decor
2009

Vinyl
Murals

D-401A
D-601A
D-601B



Defense
Commissary
Agency
Lackland AFB, Texas
Fort Lee, Virginia

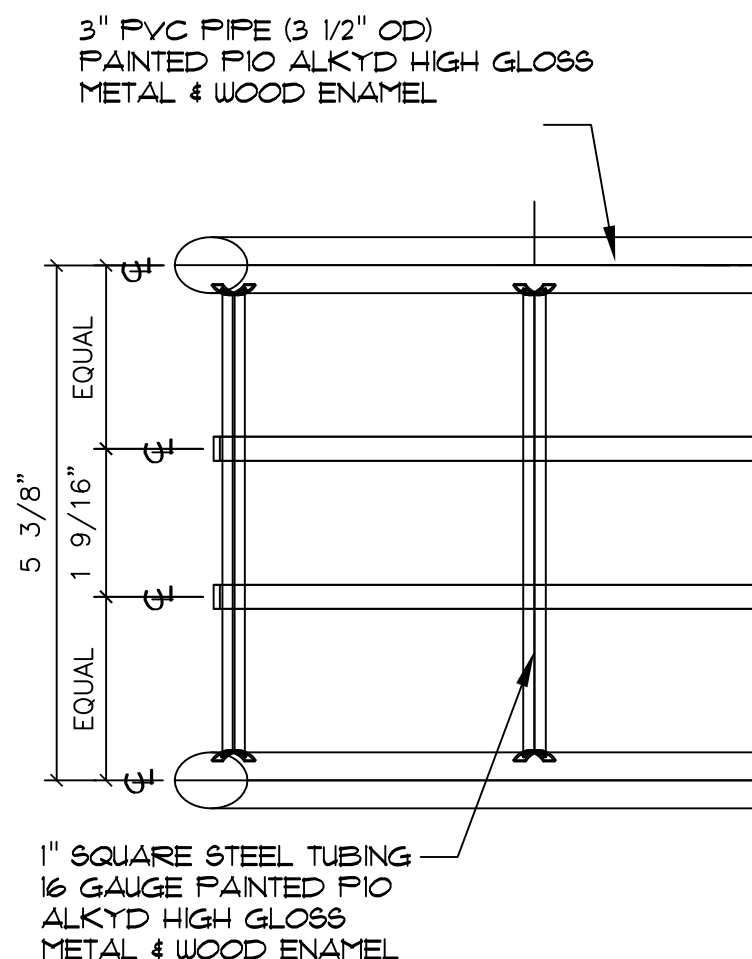
© COPYRIGHT 2009
THIS DOCUMENT IS THE PROPERTY OF THE DEFENSE
COMMISSARY AGENCY AND NO PART HEREIN SHALL BE
USED WITHOUT THE CONSENT OF THE DEFENSE
COMMISSARY AGENCY

DATE:	SOLICITATION ISSUE: 2-25-09
DATE:	CRITERIA ISSUE: 5-28-09
DATE:	
DATE:	

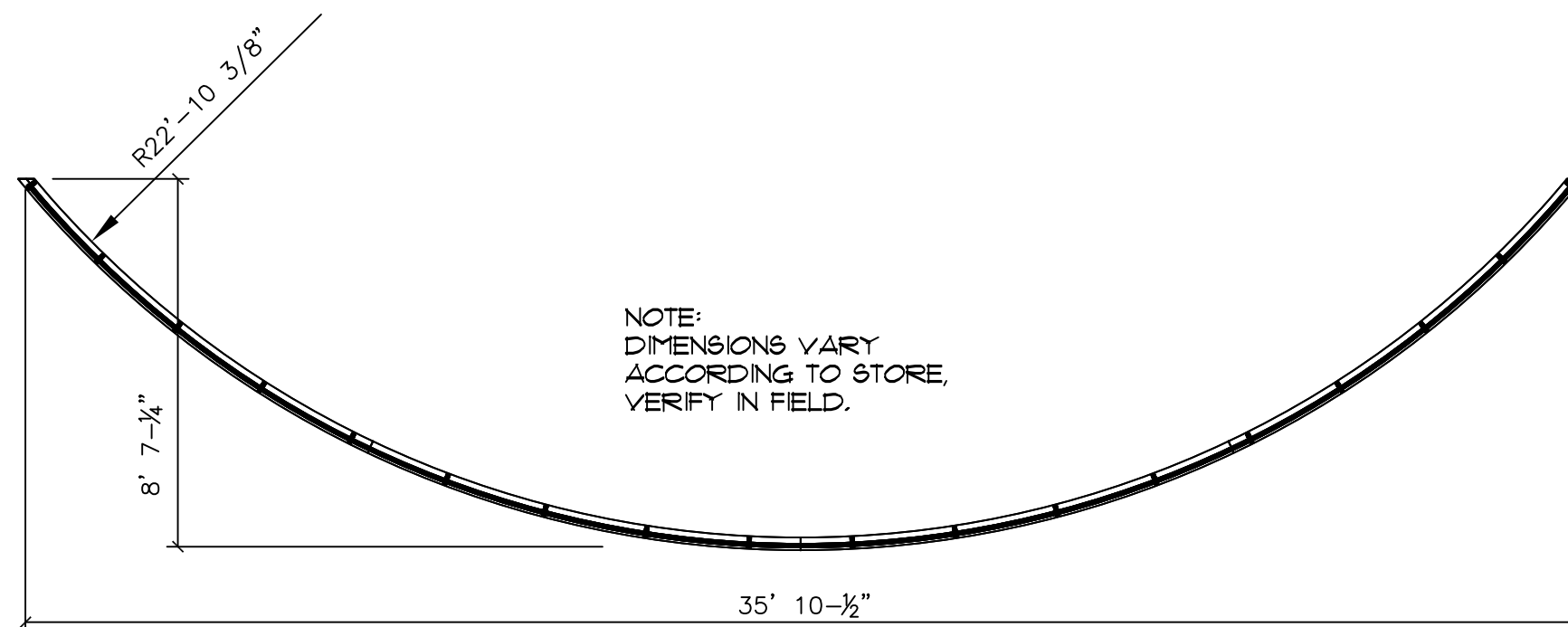
DeCA
Decor
2009

Butchers
Choice
Canopy

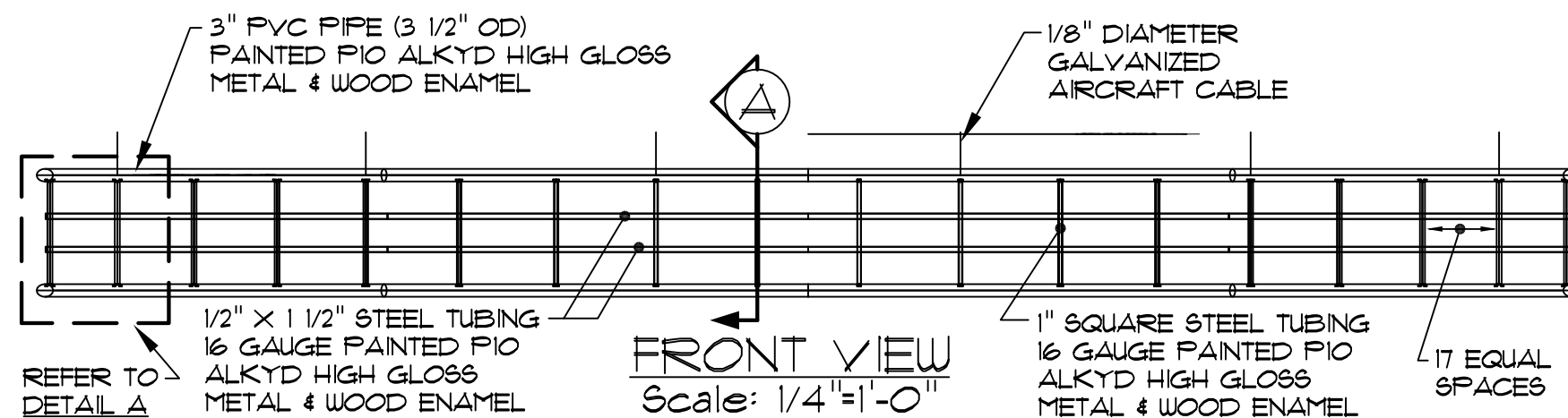
D-501
D-502
D-503
1 OF 5



DETAIL A
Scale: 1"=1'-0"



PLAN VIEW
Scale: 1/4"=1'-0"



FRONT VIEW
Scale: 1/4"=1'-0"



Defense
Commissary
Agency
Lackland AFB, Texas
Fort Lee, Virginia

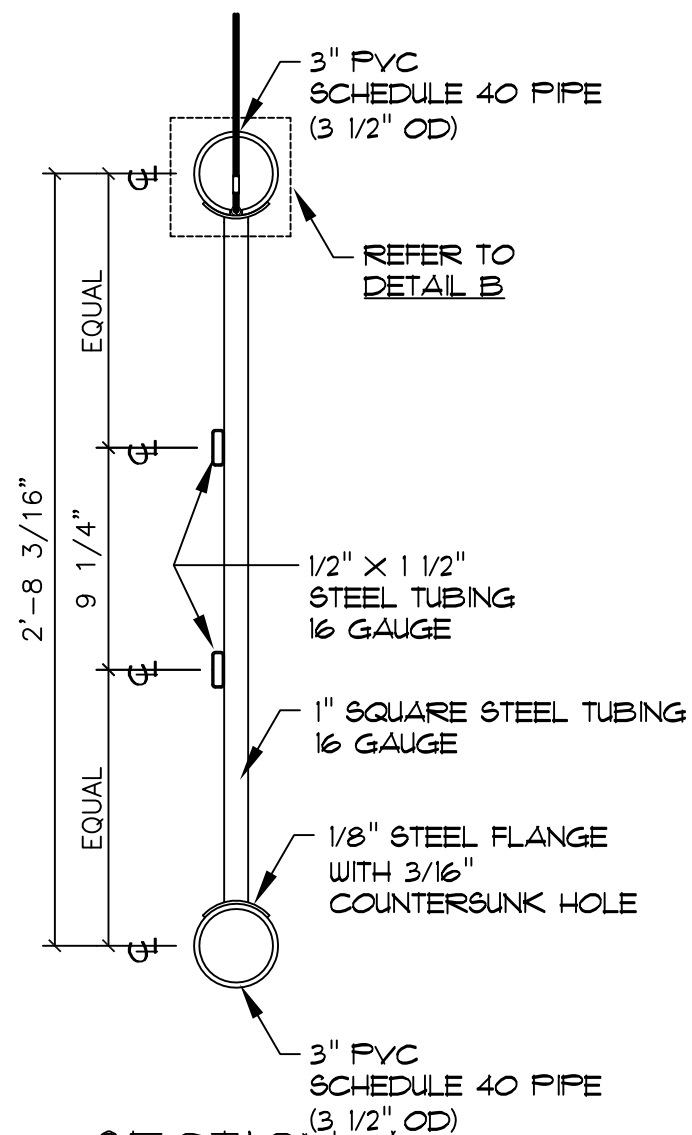
© COPYRIGHT 2009
THIS DOCUMENT IS THE PROPERTY OF THE DEFENSE
COMMISSARY AGENCY AND NO PART HEREIN SHALL BE
USED WITHOUT THE CONSENT OF THE DEFENSE
COMMISSARY AGENCY

DATE:	SOLICITATION ISSUE: 2-25-09
DATE:	CRITERIA ISSUE: 5-28-09
DATE:	
DATE:	

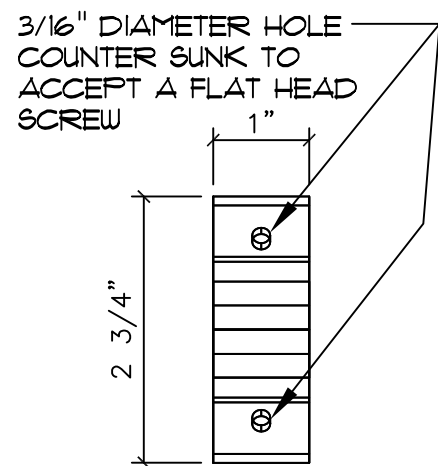
DeCA
Decor
2009

Butchers
Choice
Canopy

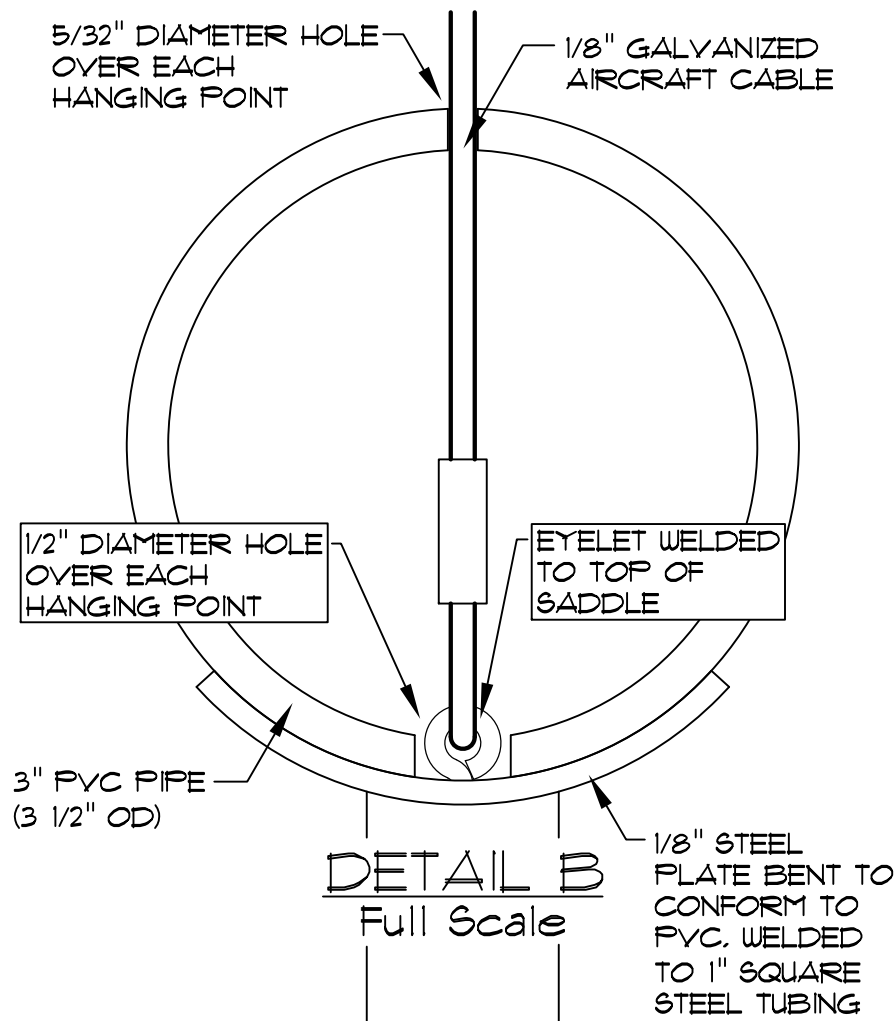
D-501
D-502
D-503
2 OF 5



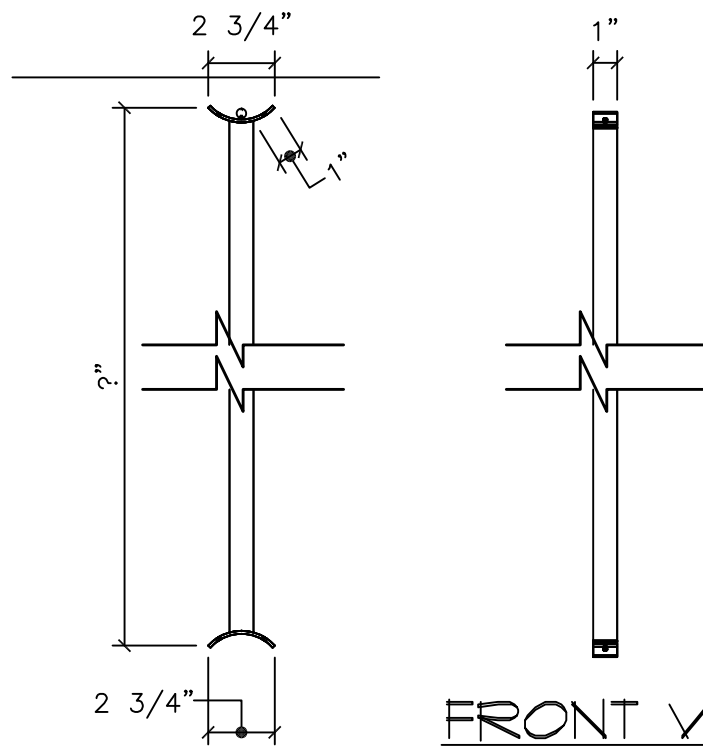
SECTION A
Scale: 1 1/2"=1'-0"



PLAN VIEW
Scale: 6"=1'-0"

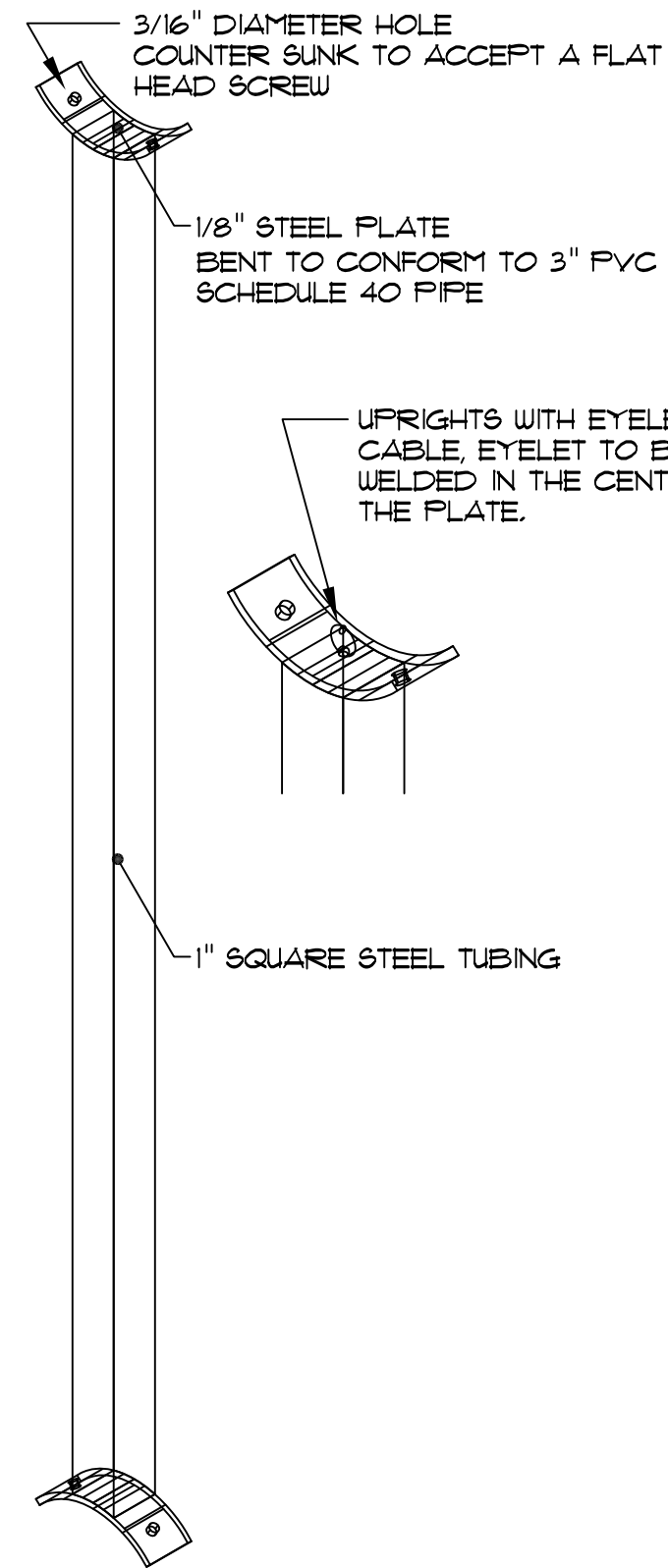


DETAIL B
Full Scale



FRONT VIEW
Scale: 1 1/2"=1'-0"

SIDE VIEW
Scale: 1 1/2"=1'-0"



ISOMETRIC VIEW
Not to Scale



Defense
Commissary
Agency
Lackland AFB, Texas
Fort Lee, Virginia

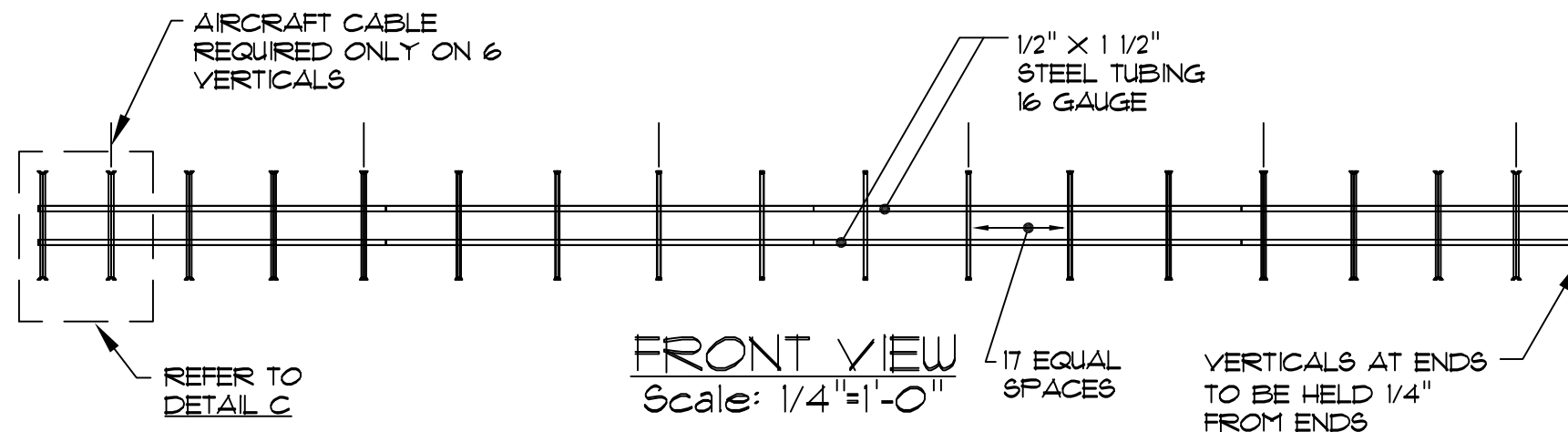
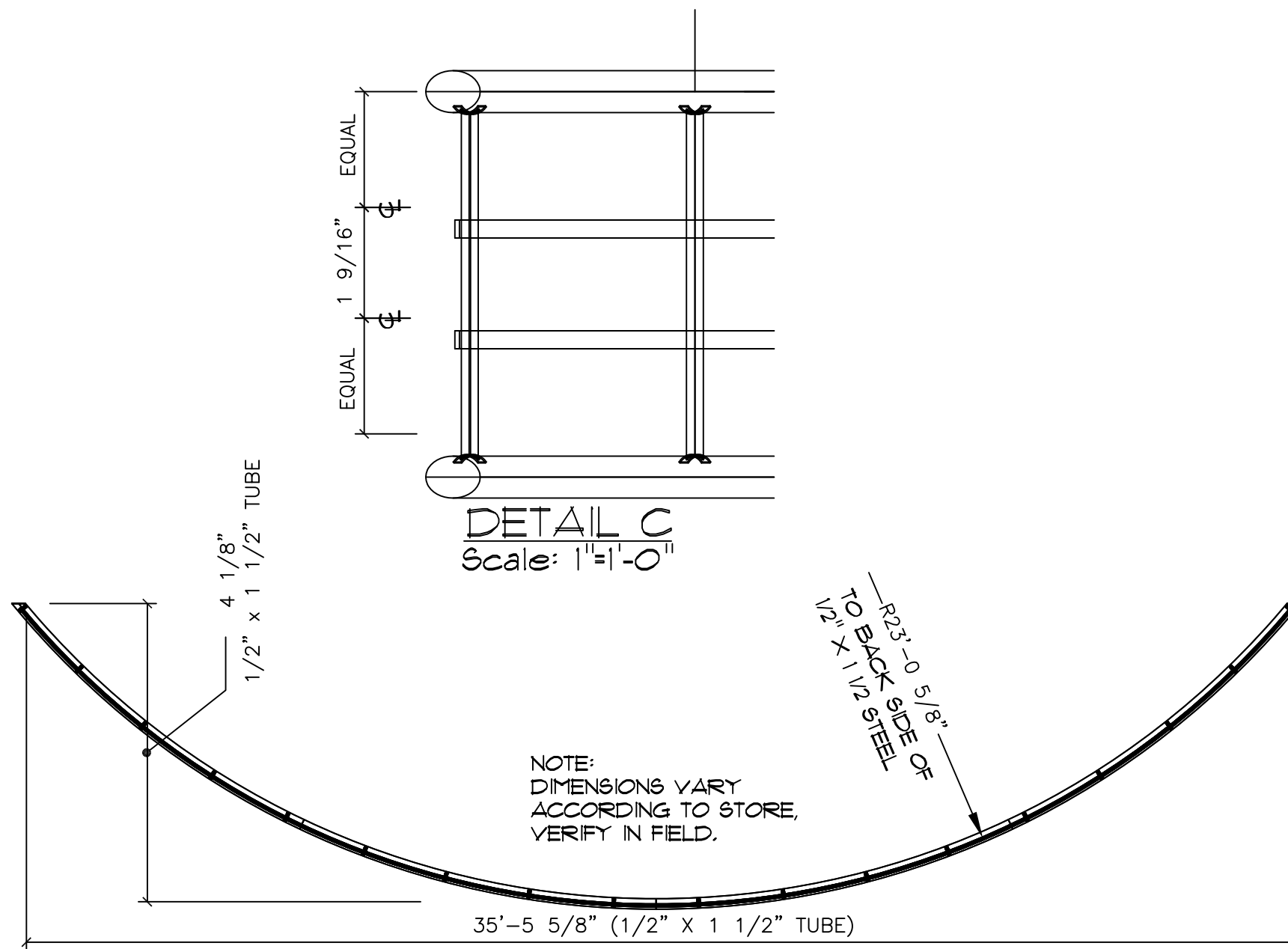
© COPYRIGHT 2009
THIS DOCUMENT IS THE PROPERTY OF THE DEFENSE
COMMISSARY AGENCY AND NO PART HEREIN SHALL BE
USED WITHOUT THE CONSENT OF THE DEFENSE
COMMISSARY AGENCY

DATE:	SOLICITATION ISSUE: 2-25-09
DATE:	CRITERIA ISSUE: 5-28-09
DATE:	
DATE:	

DeCA
Decor
2009

Butchers
Choice
Canopy

D-501
D-502
D-503
3 OF 5





Defense
Commissary
Agency

Lackland AFB, Texas
Fort Lee, Virginia

© COPYRIGHT 2009

THIS DOCUMENT IS THE PROPERTY OF THE DEFENSE
COMMISSARY AGENCY AND NO PART HEREIN SHALL BE
USED WITHOUT THE CONSENT OF THE DEFENSE
COMMISSARY AGENCY

DATE: SOLICITATION ISSUE: 2-25-09

DATE: CRITERIA ISSUE: 5-28-09

DATE:

DATE:

DeCA
Decor
2009

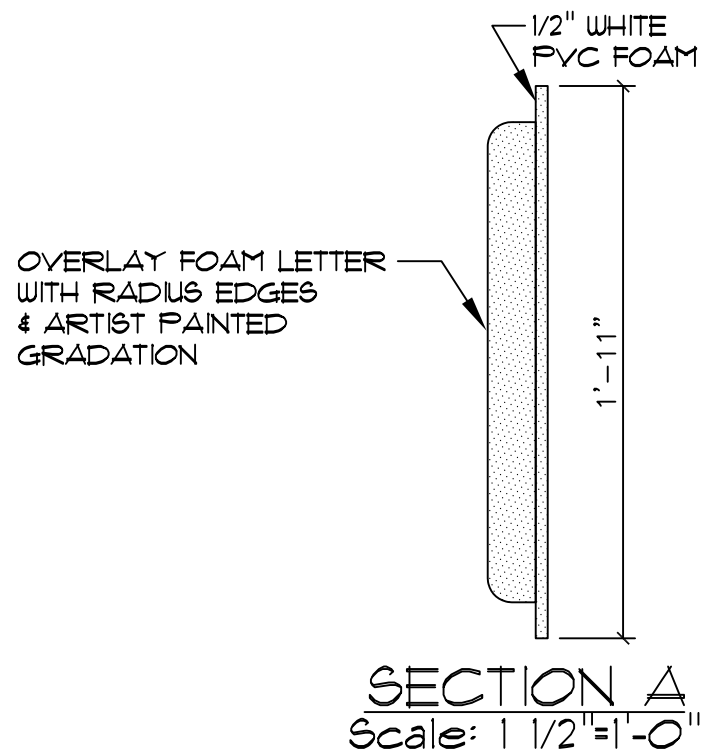
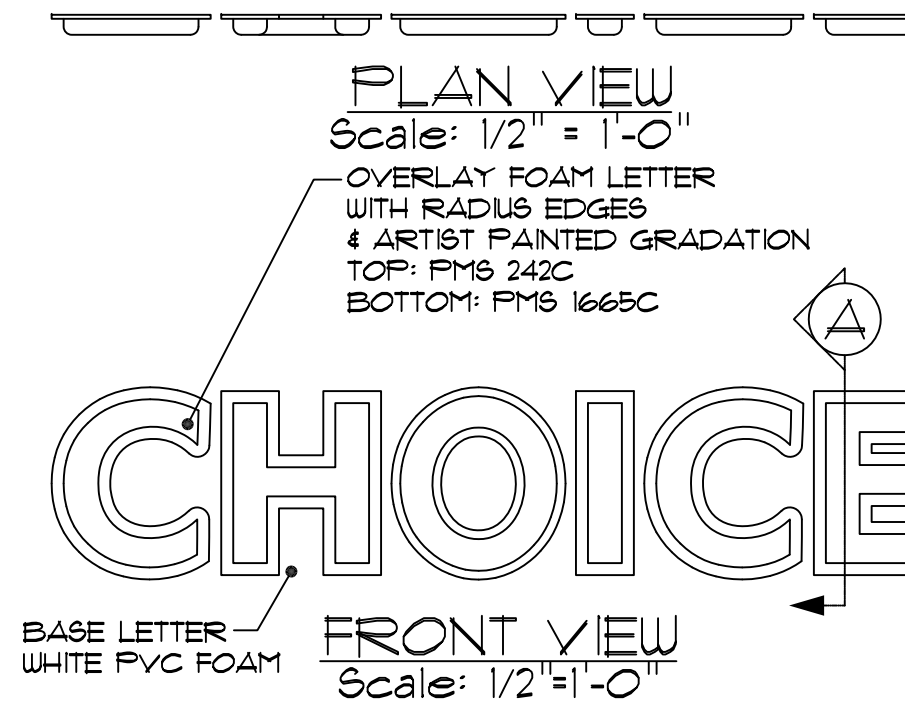
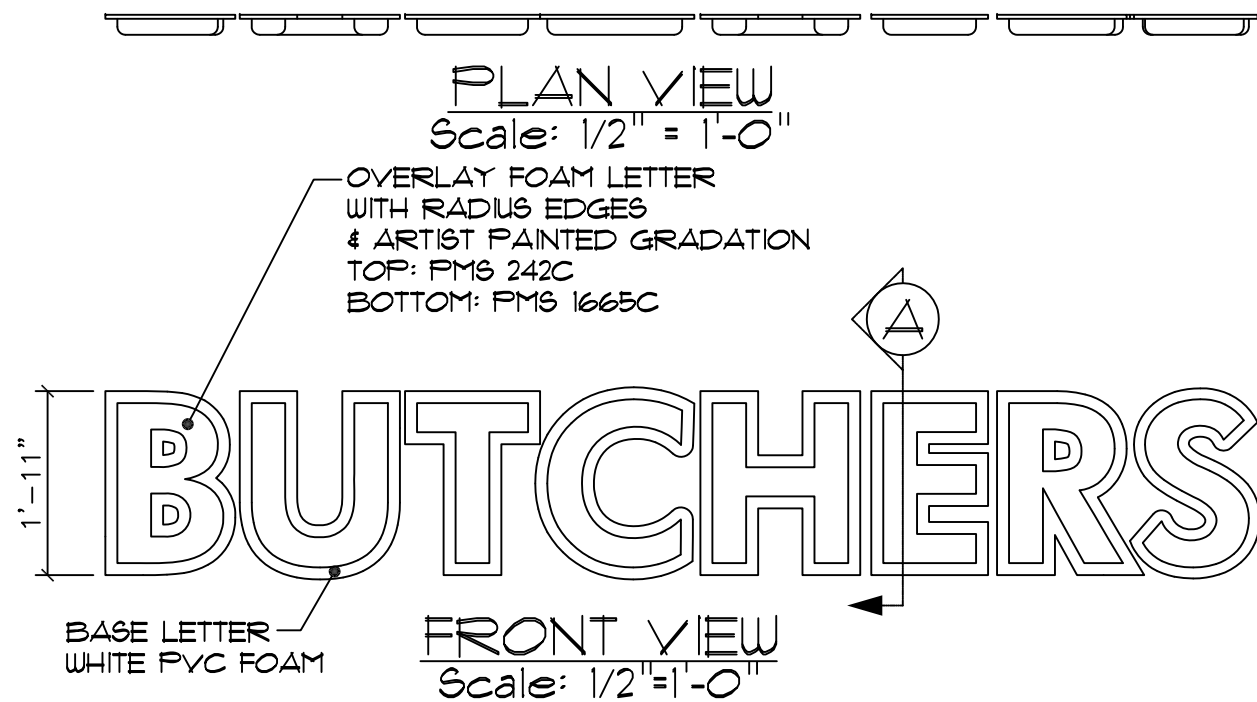
Butchers
Choice
Canopy

D-501

D-502

D-503

4 OF 5





Defense
Commissary
Agency
Lackland AFB, Texas
Fort Lee, Virginia

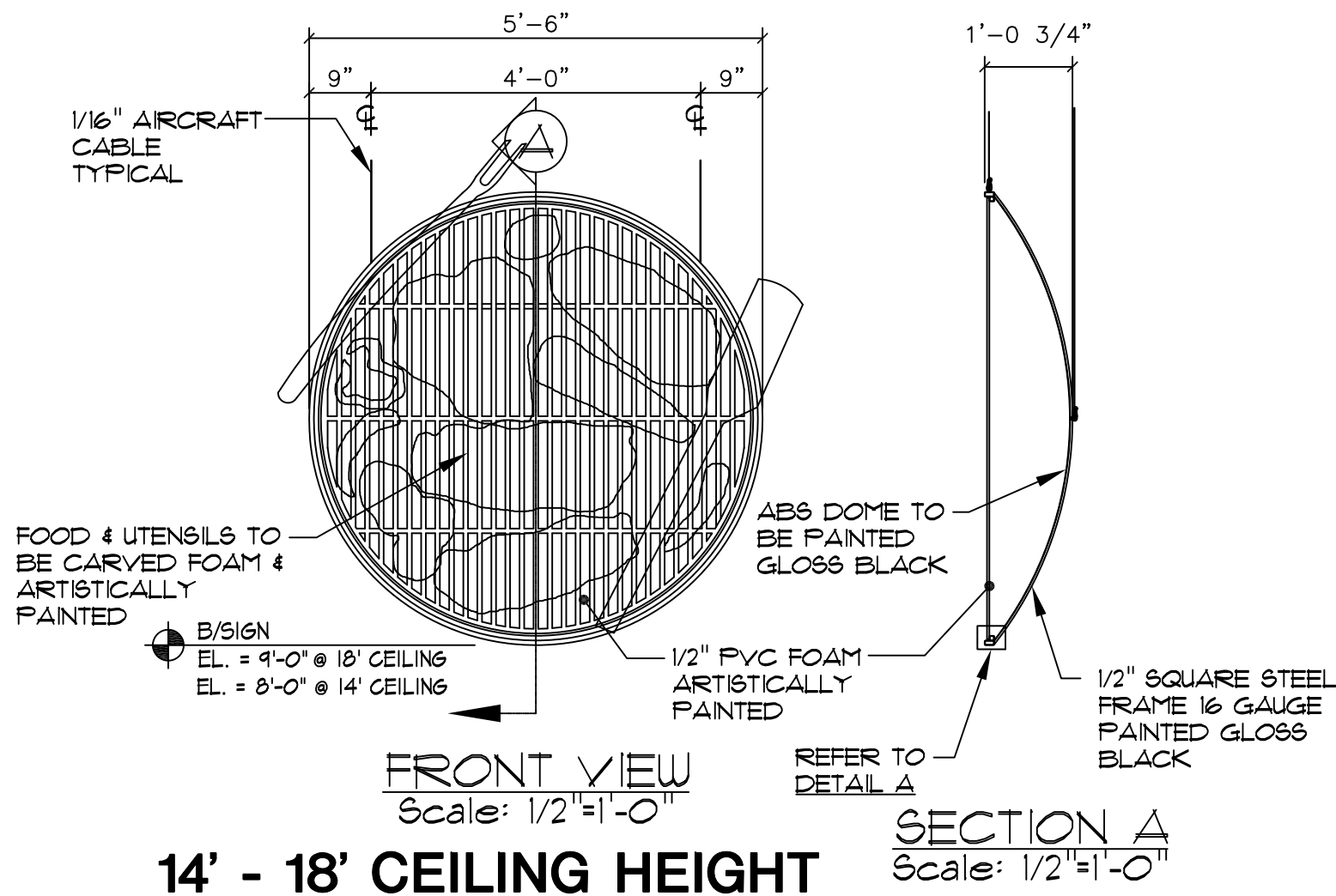
© COPYRIGHT 2009
THIS DOCUMENT IS THE PROPERTY OF THE DEFENSE
COMMISSARY AGENCY AND NO PART HEREIN SHALL BE
USED WITHOUT THE CONSENT OF THE DEFENSE
COMMISSARY AGENCY

DATE:	SOLICITATION ISSUE: 2-25-09
DATE:	CRITERIA ISSUE: 5-28-09
DATE:	
DATE:	

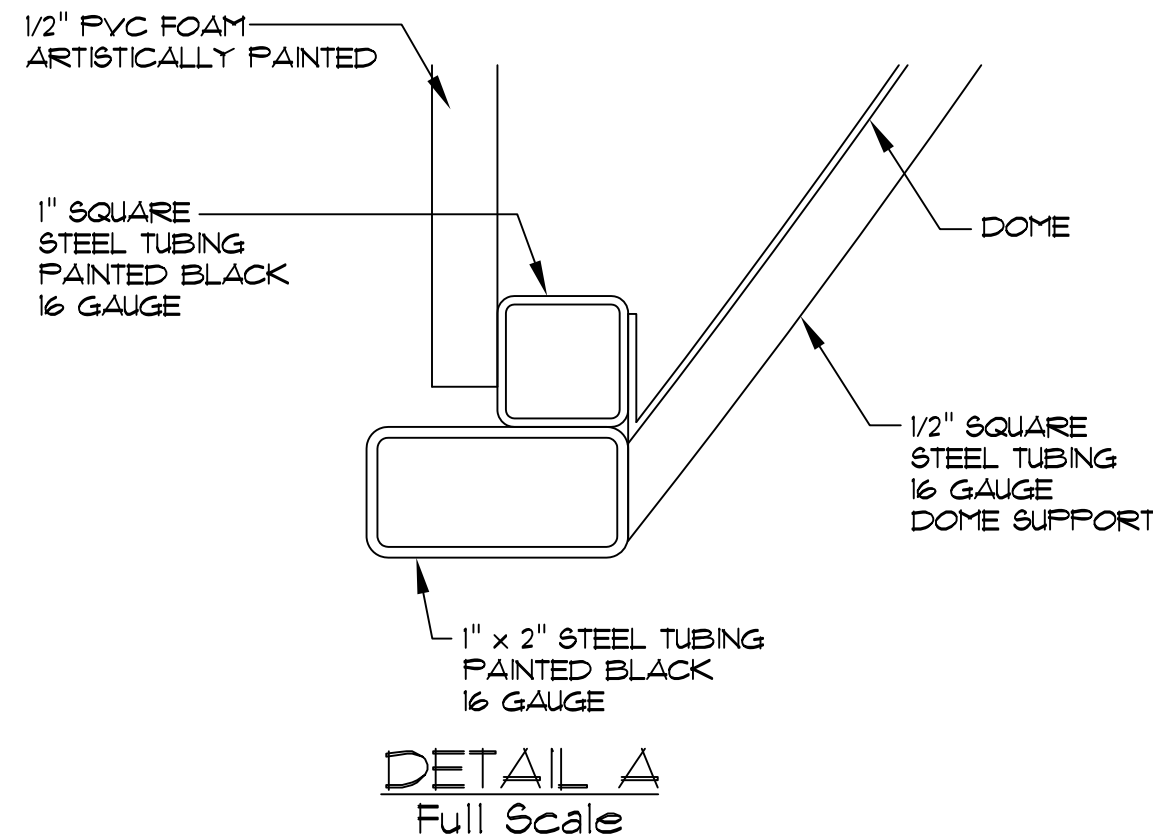
DeCA
Decor
2009

Butchers
Choice
Canopy

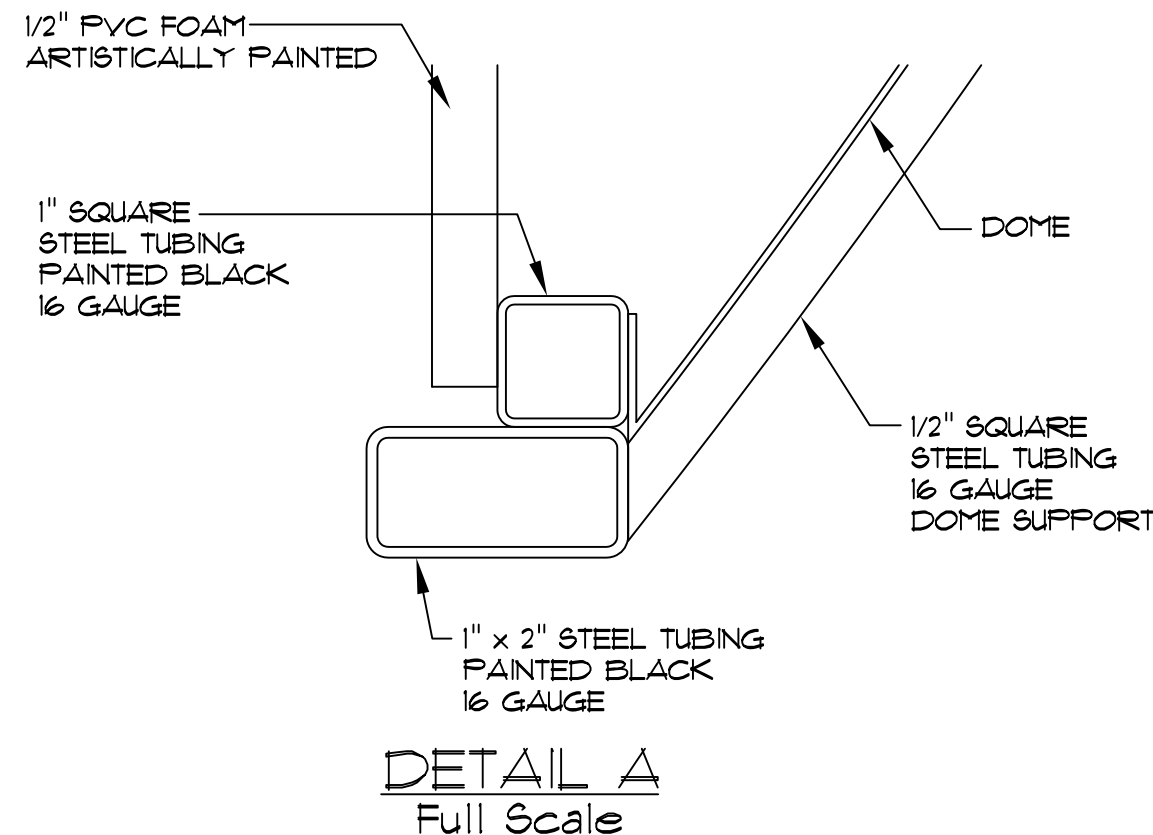
D-501
D-502
D-503
5 OF 5



14' - 18' CEILING HEIGHT



12' CEILING HEIGHT



DETAIL A
Full Scale



Defense
Commissary
Agency
Lackland AFB, Texas
Fort Lee, Virginia

© COPYRIGHT 2009

THIS DOCUMENT IS THE PROPERTY OF THE DEFENSE
COMMISSARY AGENCY AND NO PART HEREIN SHALL BE
USED WITHOUT THE CONSENT OF THE DEFENSE
COMMISSARY AGENCY

DATE: SOLICITATION ISSUE: 2-25-09

DATE: CRITERIA ISSUE: 5-28-09

DATE:

DATE:

DATE:

DeCA
Decor
2009

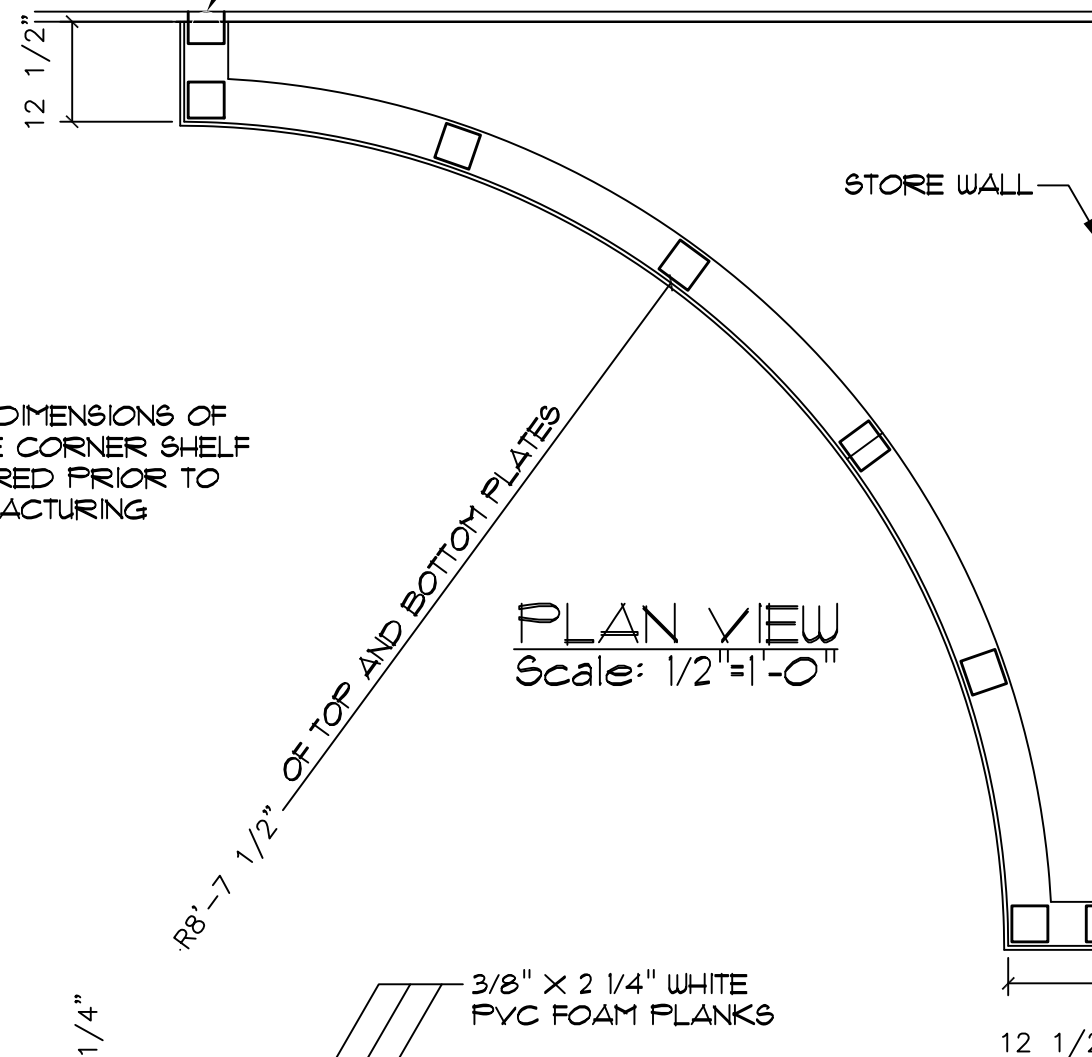
Dairy
Shelf

D-603

D-604

1 OF 4

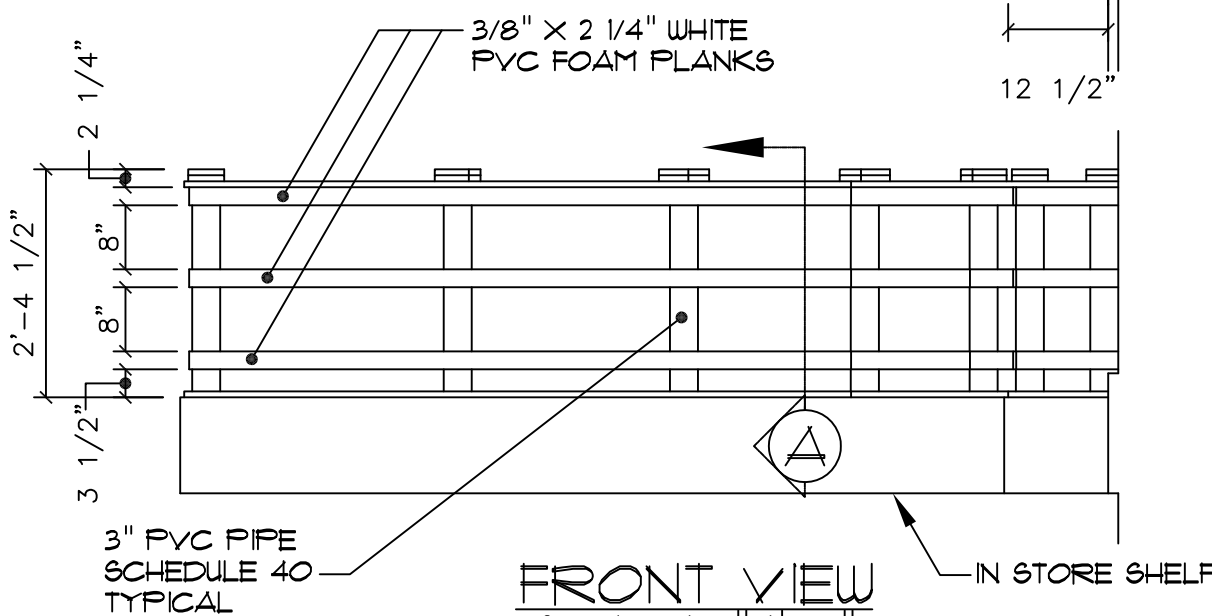
FULL POST TO BE SENT WITH A PARTIAL CAP.
POST TO BE NOTCHED BY INSTALLERS



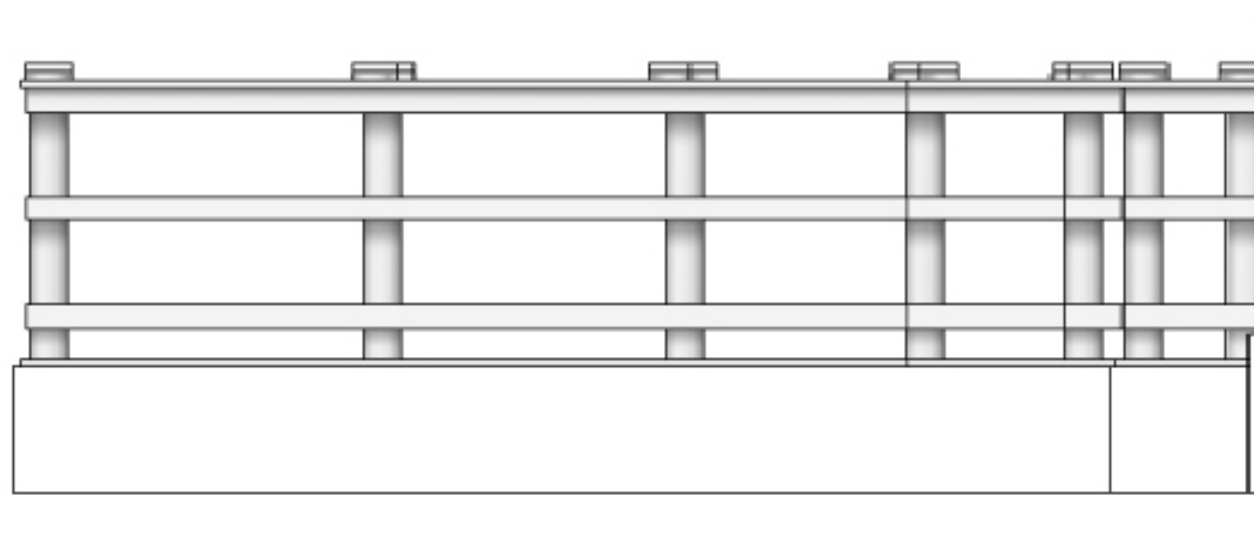
NOTE:
FIELD DIMENSIONS OF
ENTIRE CORNER SHELF
REQUIRED PRIOR TO
MANUFACTURING

PLAN VIEW
Scale: 1/2"=1'-0"

FULL POST TO BE SENT WITH A PARTIAL CAP.
POST TO BE NOTCHED BY INSTALLERS



FRONT VIEW
Scale: 1/2"=1'-0"



D-603



Defense
Commissary
Agency
Lackland AFB, Texas
Fort Lee, Virginia

© COPYRIGHT 2009
THIS DOCUMENT IS THE PROPERTY OF THE DEFENSE
COMMISSARY AGENCY AND NO PART HEREIN SHALL BE
USED WITHOUT THE CONSENT OF THE DEFENSE
COMMISSARY AGENCY

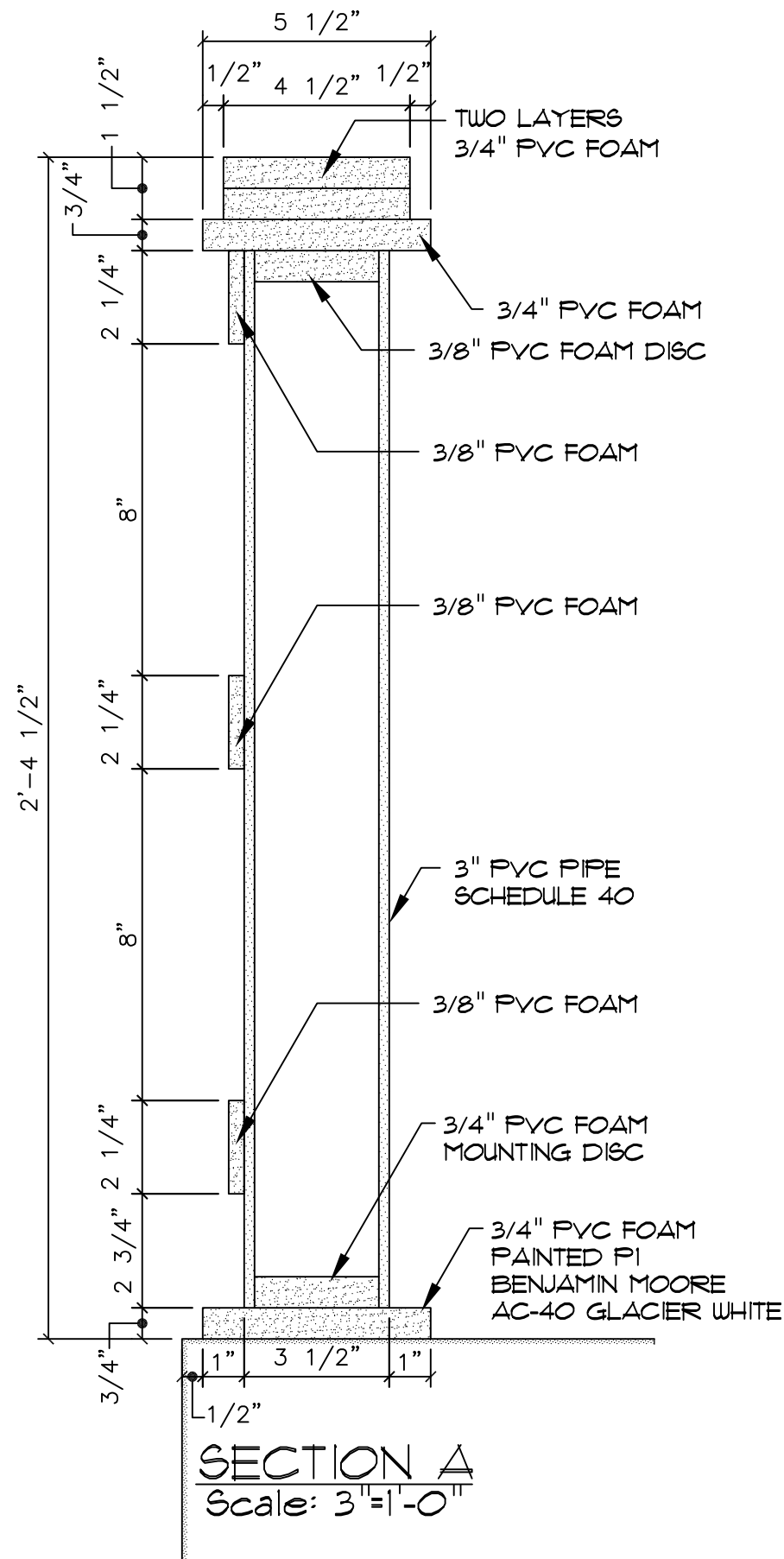
DATE:	SOLICITATION ISSUE: 2-25-09
DATE:	CRITERIA ISSUE: 5-28-09
DATE:	
DATE:	

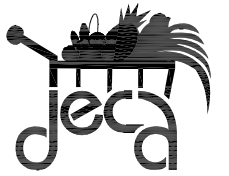
DeCA
Decor
2009

Dairy
Shelf

D-603
D-604

2 OF 4





Defense
Commissary
Agency
Lackland AFB, Texas
Fort Lee, Virginia

© COPYRIGHT 2009
THIS DOCUMENT IS THE PROPERTY OF THE DEFENSE
COMMISSARY AGENCY AND NO PART HEREIN SHALL BE
USED WITHOUT THE CONSENT OF THE DEFENSE
COMMISSARY AGENCY

DATE:	SOLICITATION ISSUE: 2-25-09
DATE:	CRITERIA ISSUE: 5-28-09
DATE:	
DATE:	

DeCA
Decor
2009

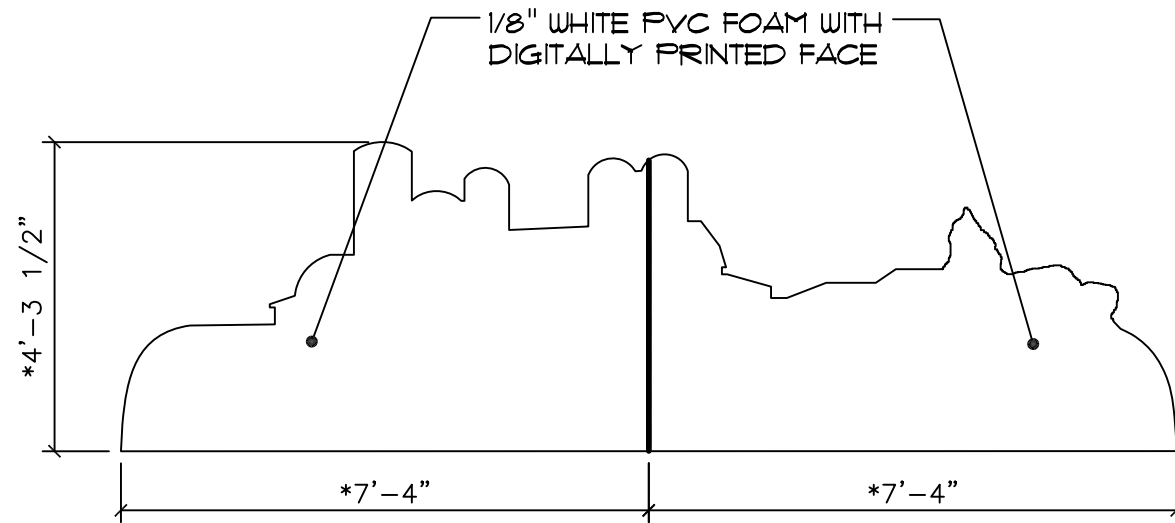
Dairy
Shelf

D-603
D-604

3 OF 4

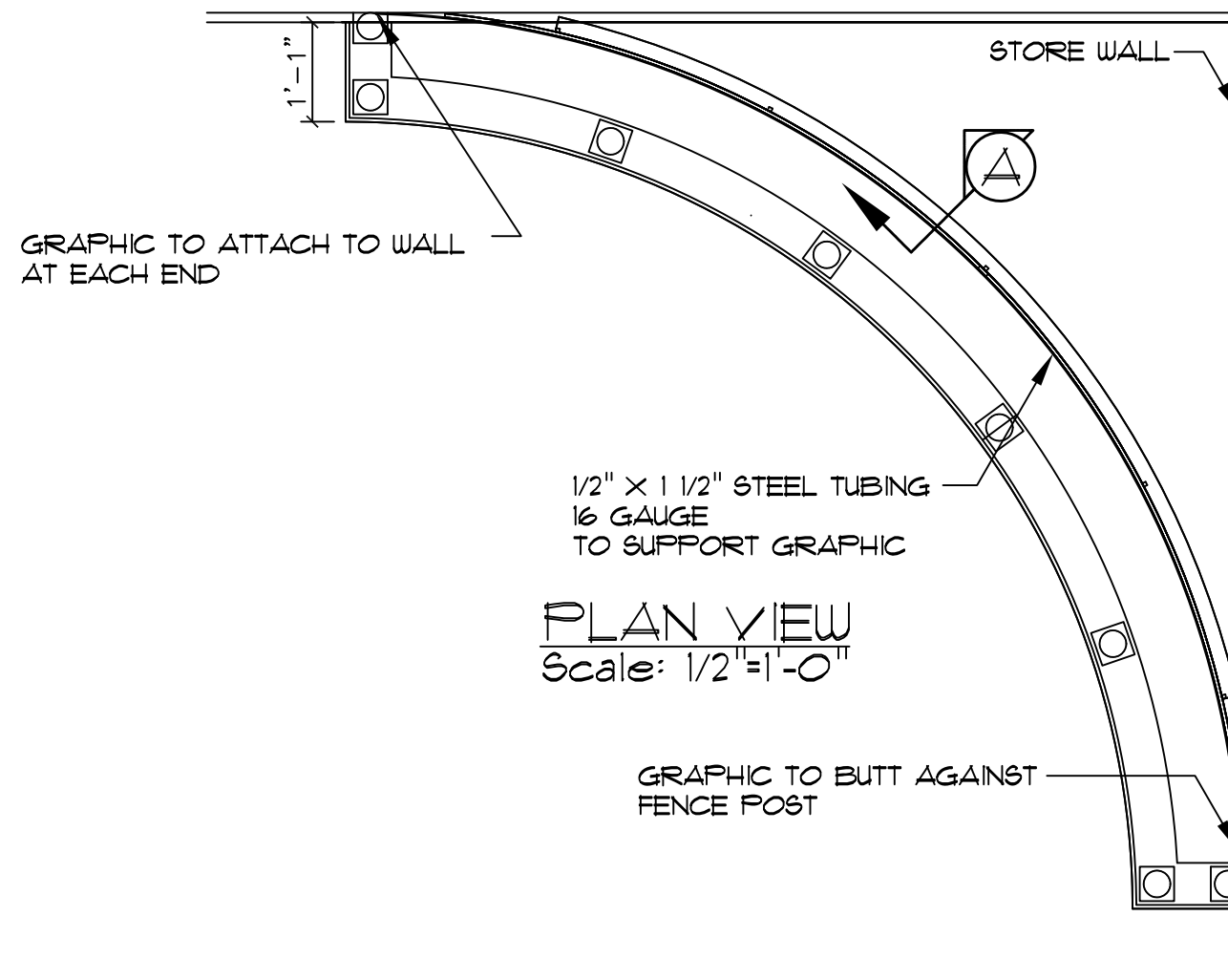


D-604

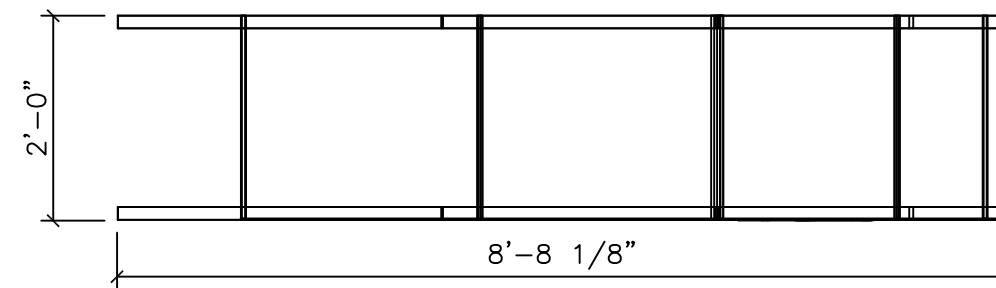


FRONT VIEW
Scale: 3/8"=1'-0"

* SCALE VARIES ACCORDING TO
STORE CEILING HEIGHT



PLAN VIEW
Scale: 1/2"=1'-0"



FRONT VIEW
Scale: 1/2"=1'-0"



Defense
Commissary
Agency
Lackland AFB, Texas
Fort Lee, Virginia

© COPYRIGHT 2009

THIS DOCUMENT IS THE PROPERTY OF THE DEFENSE
COMMISSARY AGENCY AND NO PART HEREIN SHALL BE
USED WITHOUT THE CONSENT OF THE DEFENSE
COMMISSARY AGENCY

DATE: SOLICITATION ISSUE: 2-25-09

DATE: CRITERIA ISSUE: 5-28-09

DATE:

DATE:

DATE:

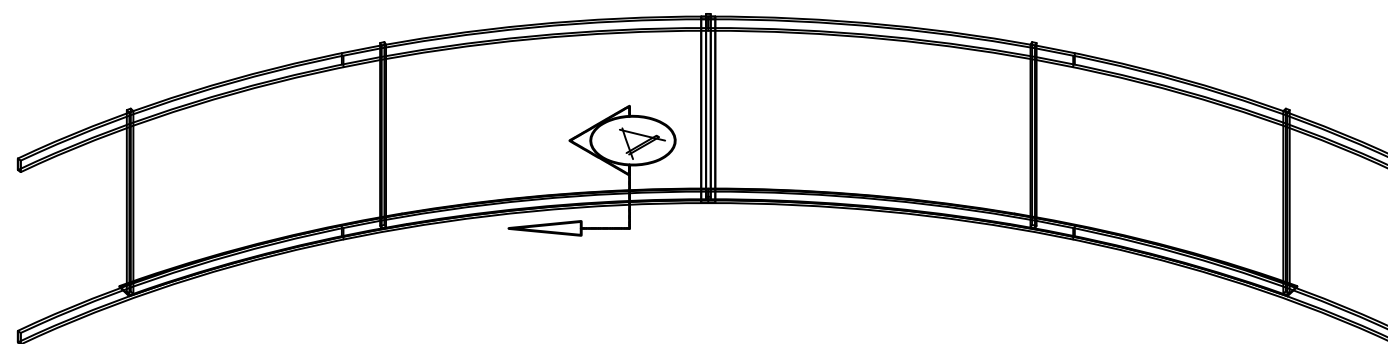
DeCA
Decor
2009

Dairy
Shelf

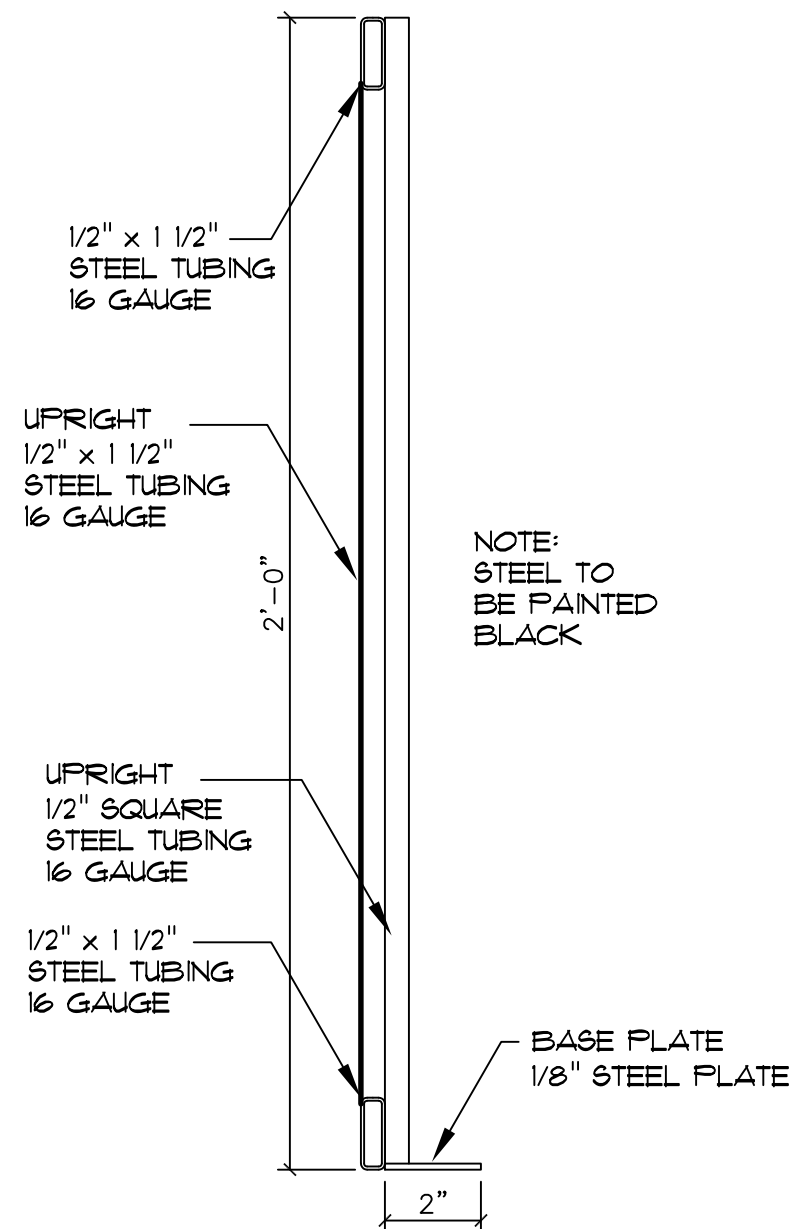
D-603

D-604

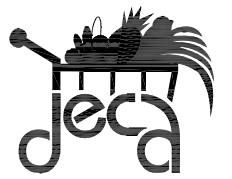
4 OF 4



ISOMETRIC VIEW
Not to Scale



SECTION A
Scale: 3"=1'-0"

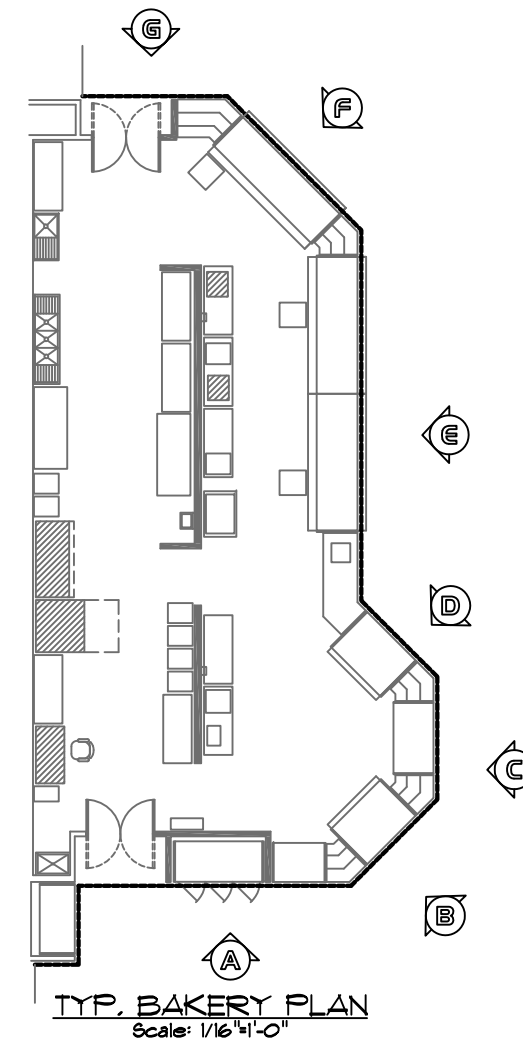
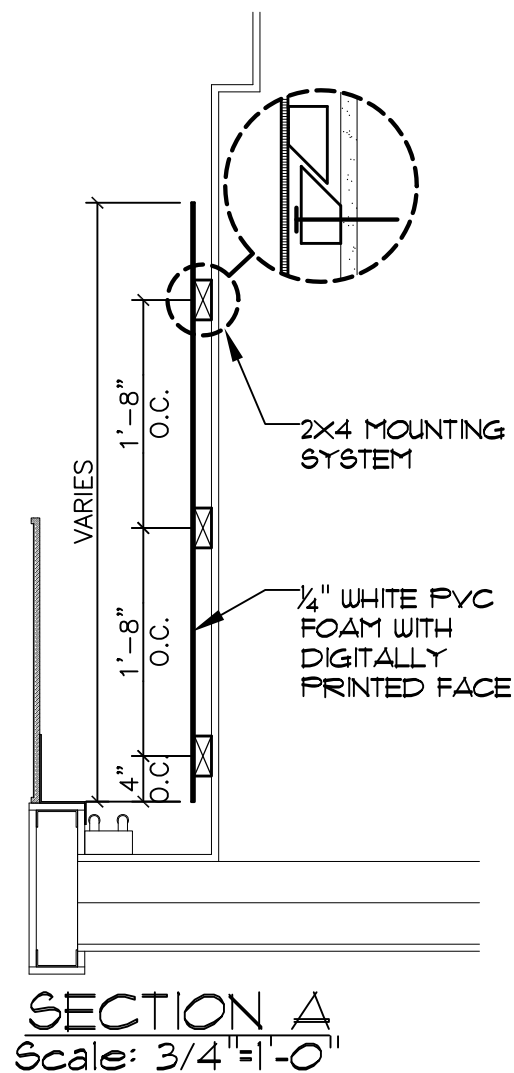
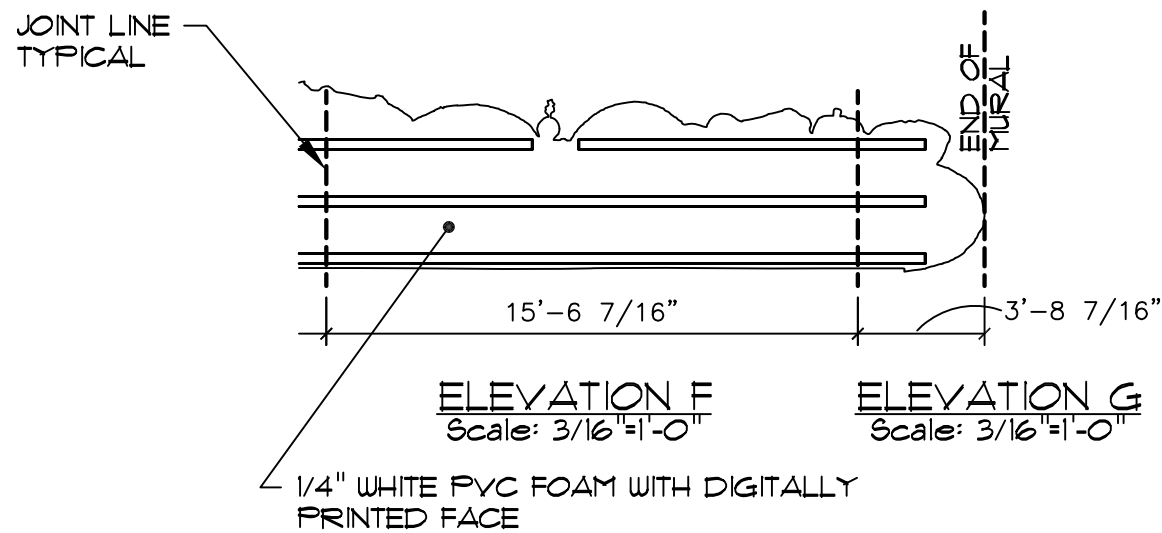
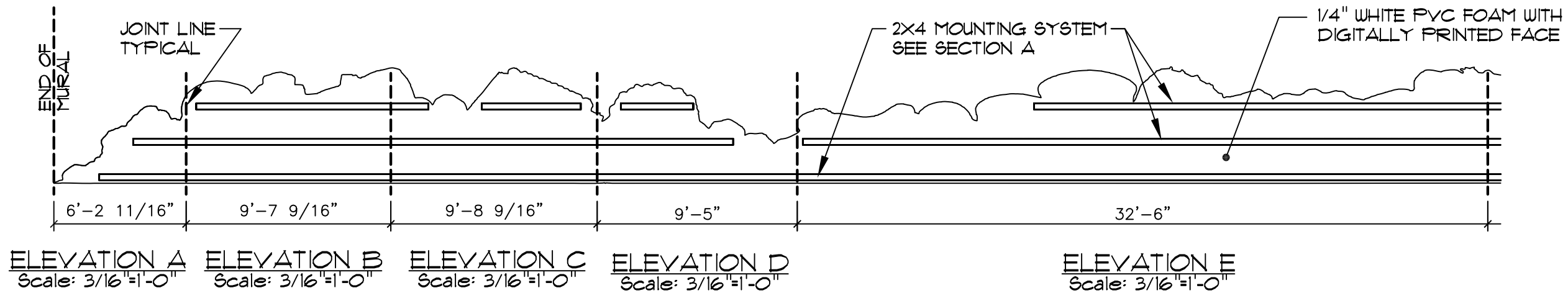


D-701

Defense
Commissary
Agency
Lackland AFB, Texas
Fort Lee, Virginia

© COPYRIGHT 2009
THIS DOCUMENT IS THE PROPERTY OF THE DEFENSE
COMMISSARY AGENCY AND NO PART HEREIN SHALL BE
USED WITHOUT THE CONSENT OF THE DEFENSE
COMMISSARY AGENCY

DATE:	SOLICITATION ISSUE: 2-25-09
DATE:	CRITERIA ISSUE: 5-28-09
DATE:	
DATE:	



GENERAL NOTES:

1. FIELD DIMENSIONS ARE REQUIRED PRIOR TO MANUFACTURING
2. MURAL TO BE CUT OUT BY HAND ALONG EDGE
3. MURAL SIZE AND LAYOUT MUST BE ADJUSTED FOR EACH STORE BAKERY/DELI

DeCA Decor 2009

Bakery- Deli Mural

D-701



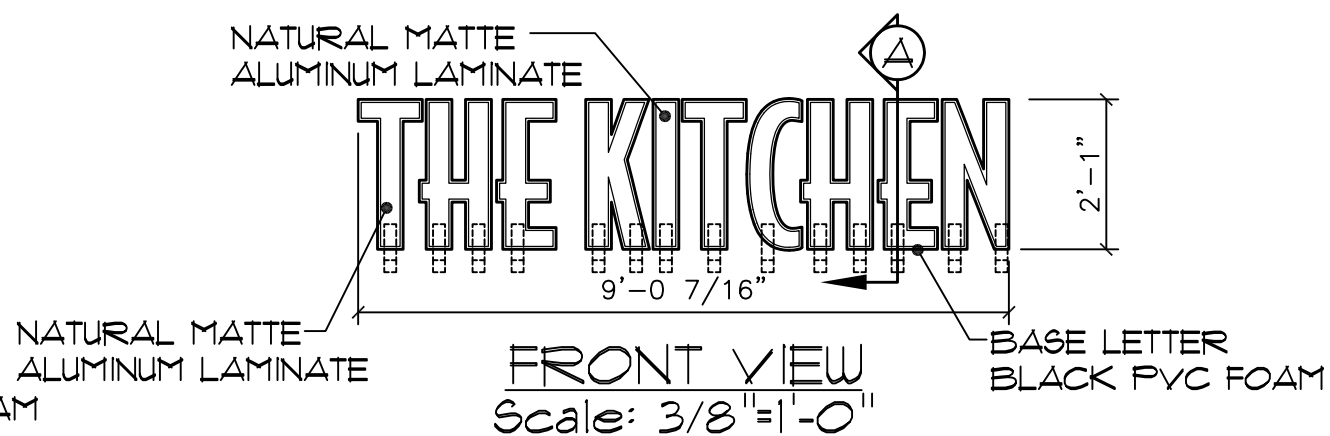
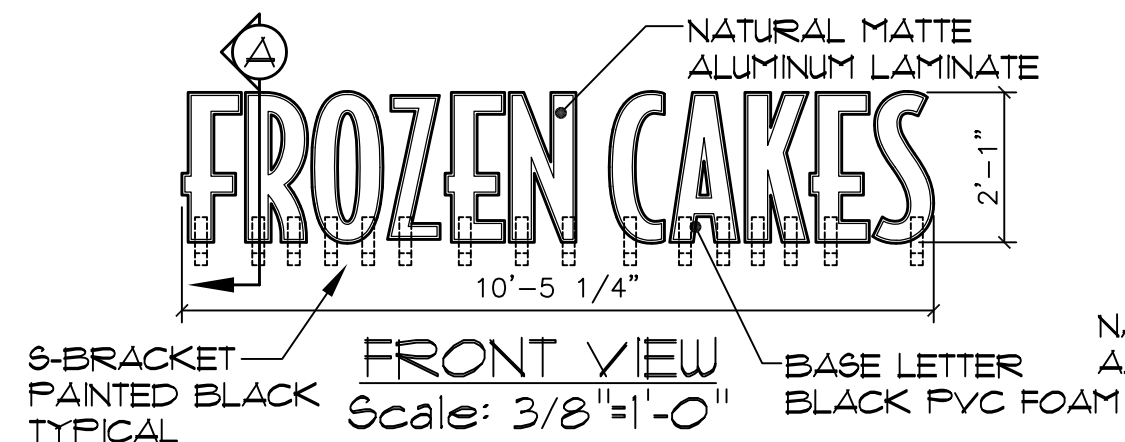
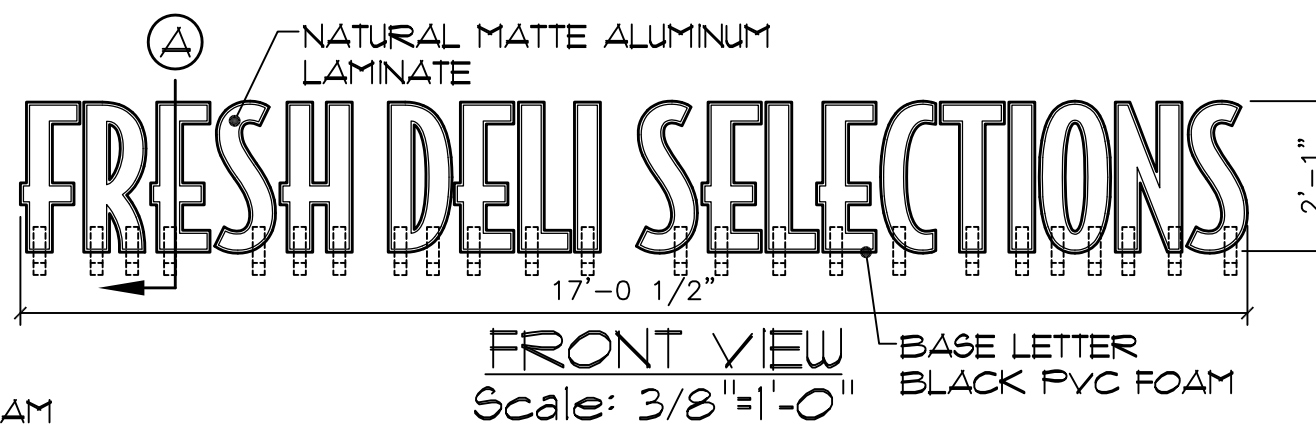
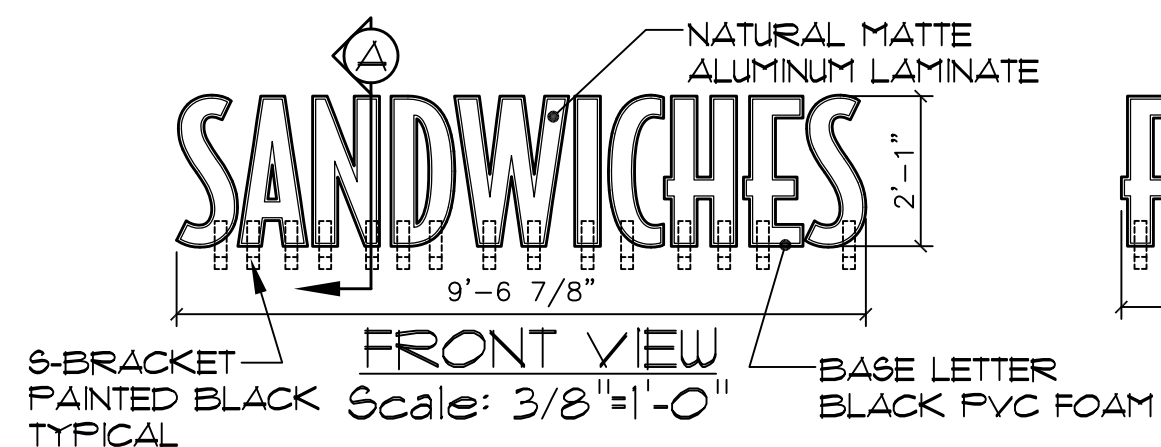
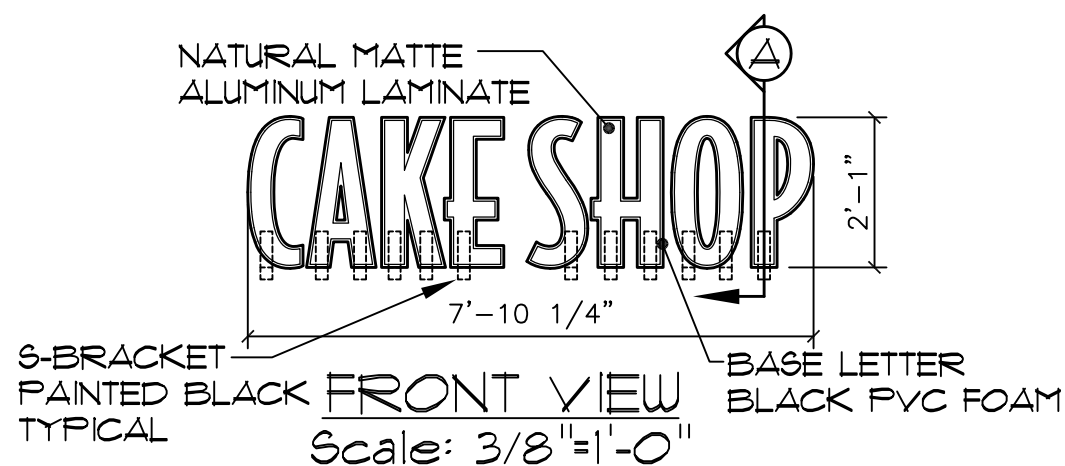
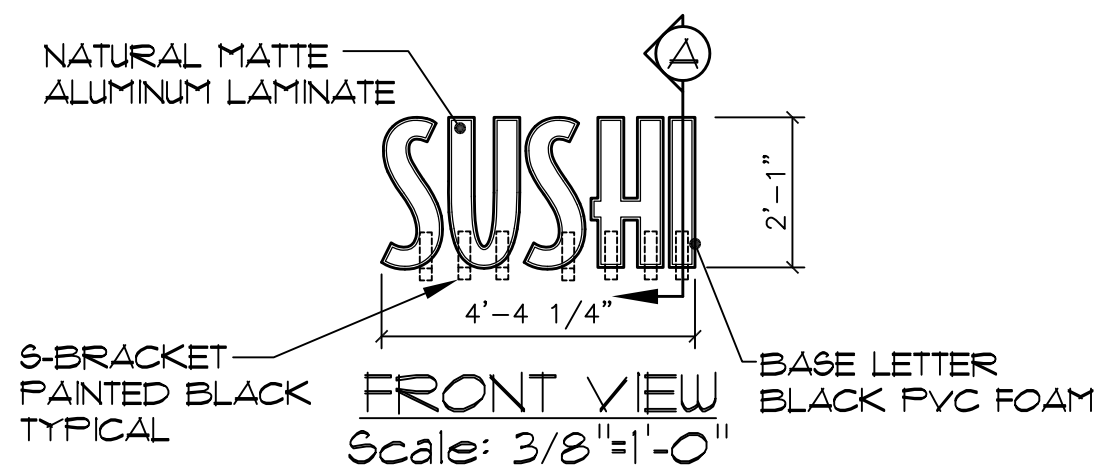
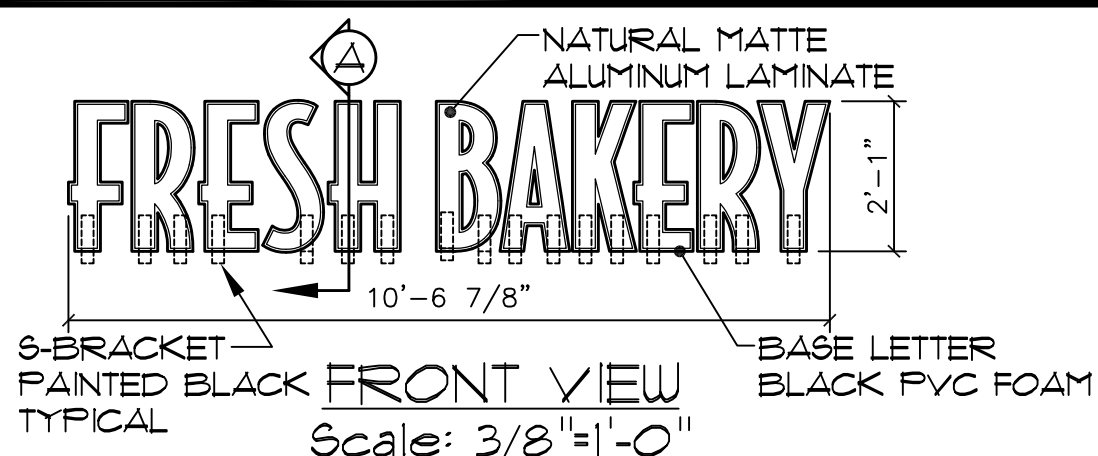
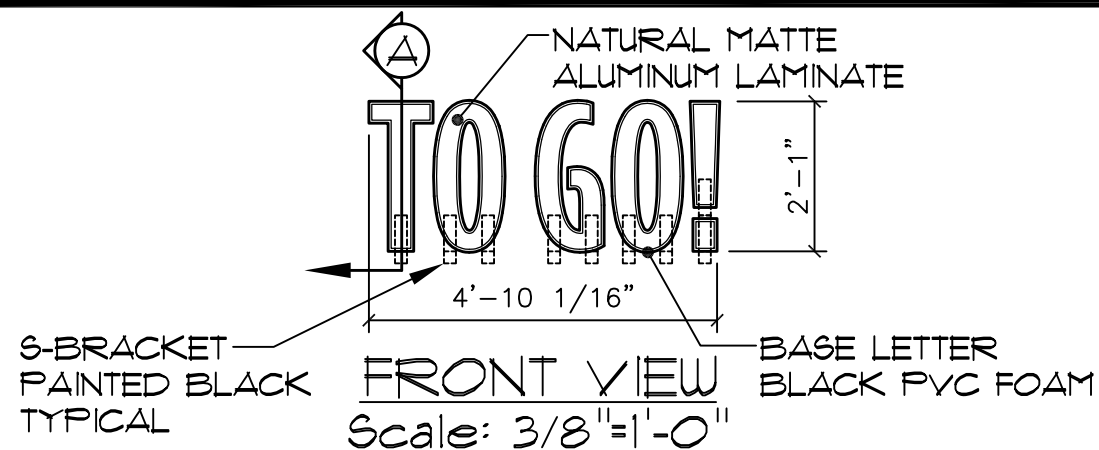
Defense Commissary Agency
Lackland AFB, Texas
Fort Lee, Virginia

© COPYRIGHT 2009
THIS DOCUMENT IS THE PROPERTY OF THE DEFENSE COMMISSARY AGENCY AND NO PART HEREIN SHALL BE USED WITHOUT THE CONSENT OF THE DEFENSE COMMISSARY AGENCY
DATE: SOLICITATION ISSUE: 2-25-09
DATE:
DATE:

DeCA
Decor
2009

Bakery/Deli
Lettering

D-703



D-703 - BAKERY LETTERING



Defense
Commissary
Agency
Lackland AFB, Texas
Fort Lee, Virginia

© COPYRIGHT 2009
THIS DOCUMENT IS THE PROPERTY OF THE DEFENSE
COMMISSARY AGENCY AND NO PART HEREIN SHALL BE
USED WITHOUT THE CONSENT OF THE DEFENSE
COMMISSARY AGENCY

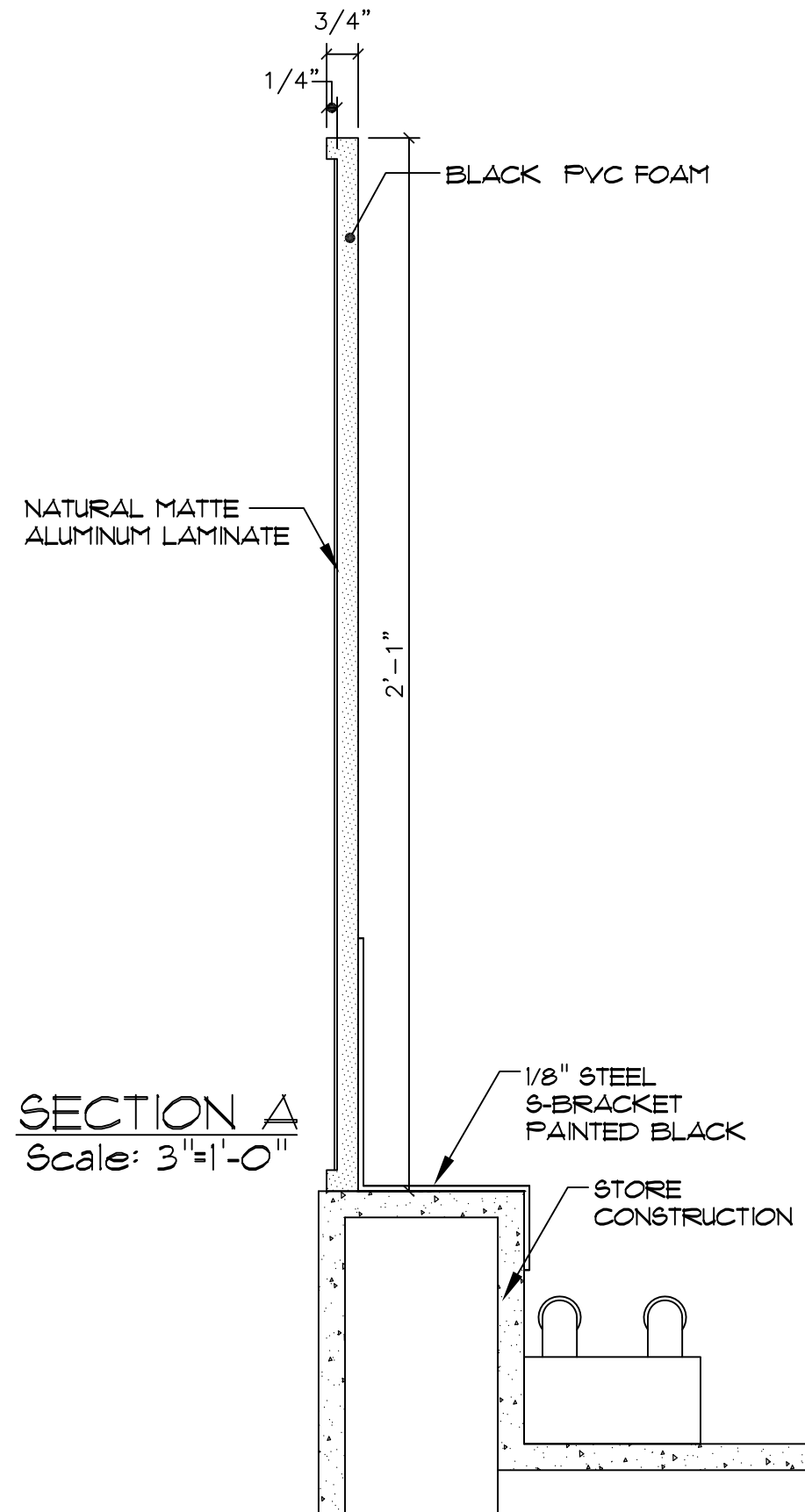
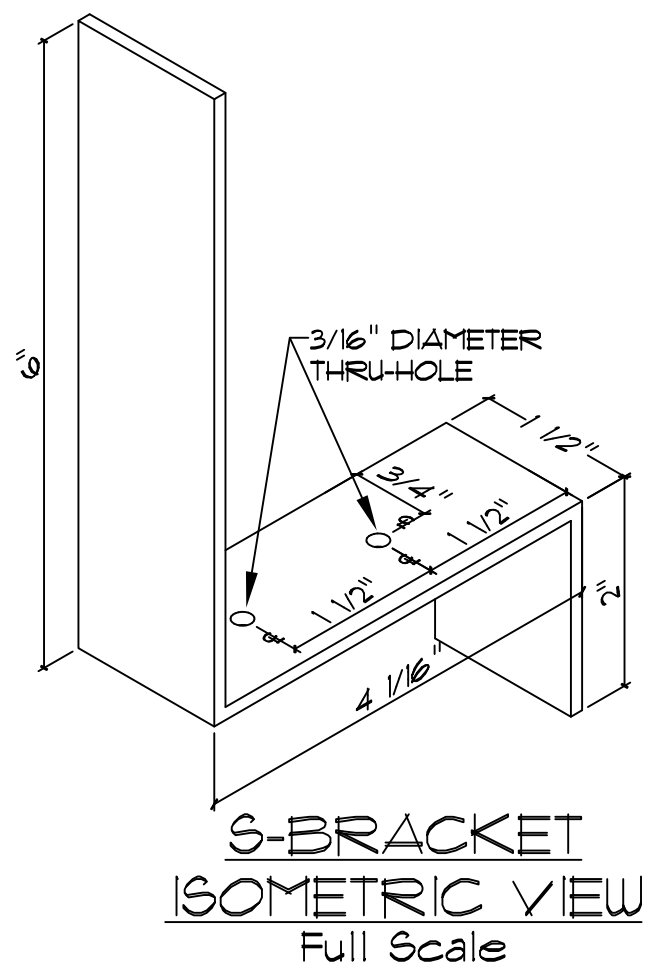
DATE:	SOLICITATION ISSUE: 2-25-09
DATE:	
DATE:	

DeCA
Decor
2009

Bakery/Deli
Lettering

D-703

2 OF 2





Defense
Commissary
Agency
Lackland AFB, Texas
Fort Lee, Virginia

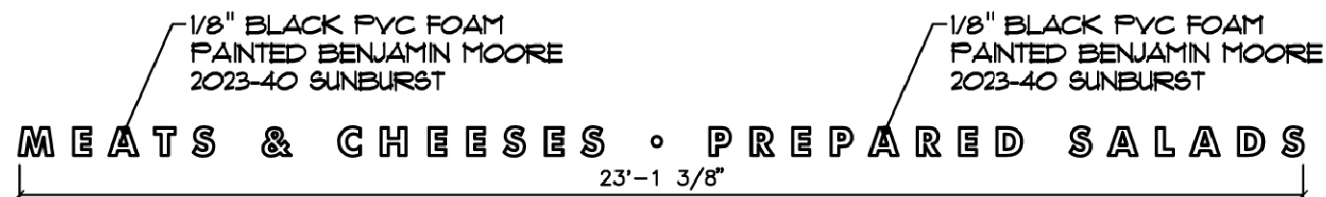
© COPYRIGHT 2009
THIS DOCUMENT IS THE PROPERTY OF THE DEFENSE
COMMISSARY AGENCY AND NO PART HEREIN SHALL BE
USED WITHOUT THE CONSENT OF THE DEFENSE
COMMISSARY AGENCY

DATE:	SOLICITATION ISSUE: 2-25-09
DATE:	CRITERIA ISSUE: 5-28-09
DATE:	
DATE:	

DeCA
Decor
2009

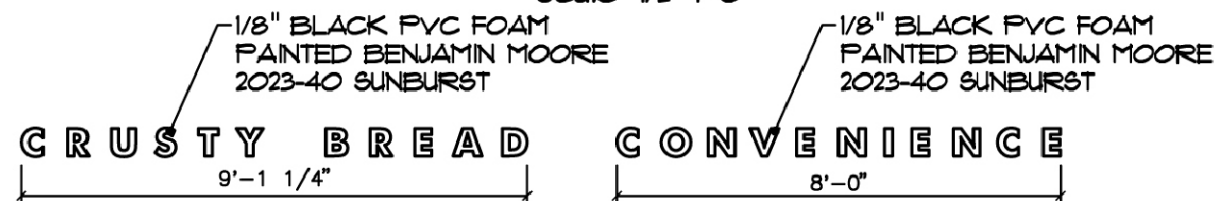
Bakery/Deli
Lettering

D-704



FRONT VIEW
Scale: 1/2"=1'-0"

MEATS & CHEESES PREPARED SALADS



FRONT VIEW
Scale: 1/2"=1'-0"

FRONT VIEW
Scale: 1/2"=1'-0"

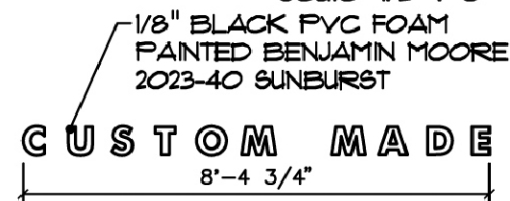
CRUSTY BREAD CONVENIENCE



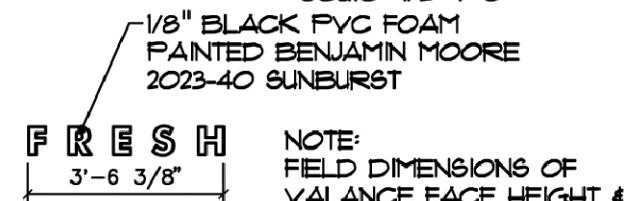
FRONT VIEW
Scale: 1/2"=1'-0"

FRONT VIEW
Scale: 1/2"=1'-0"

FOR ANY OCCASSION FRESH DAILY



FRONT VIEW
Scale: 1/2"=1'-0"

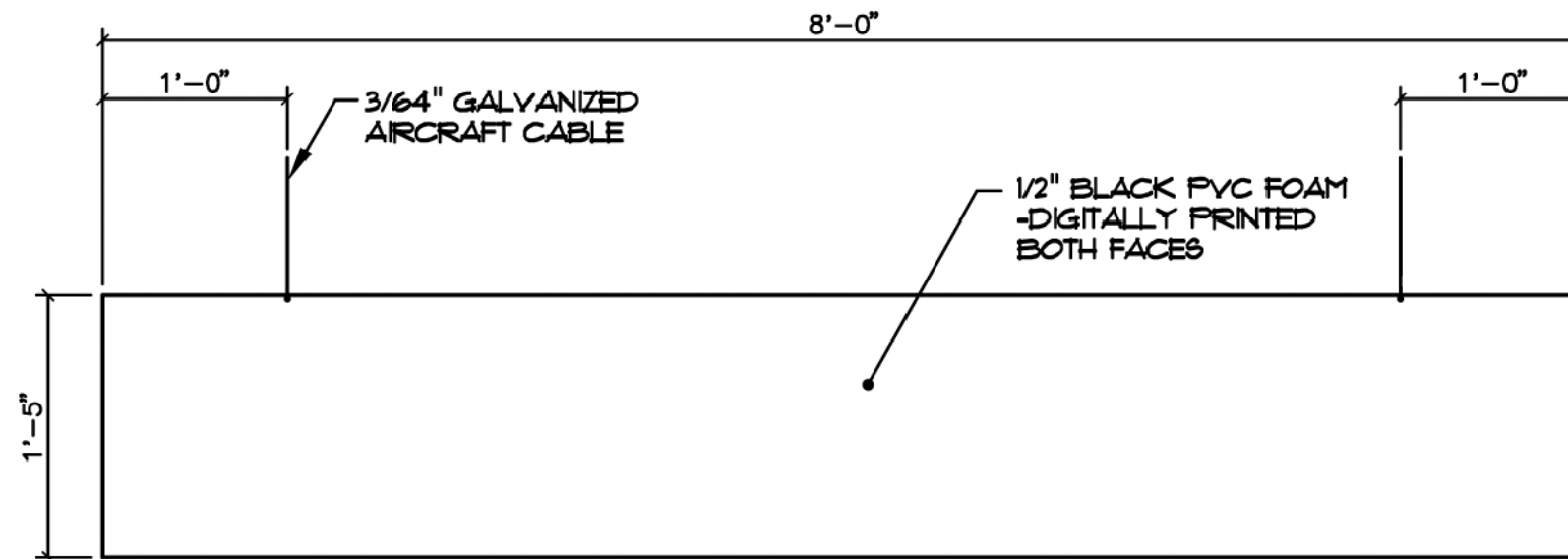


FRONT VIEW
Scale: 1/2"=1'-0"

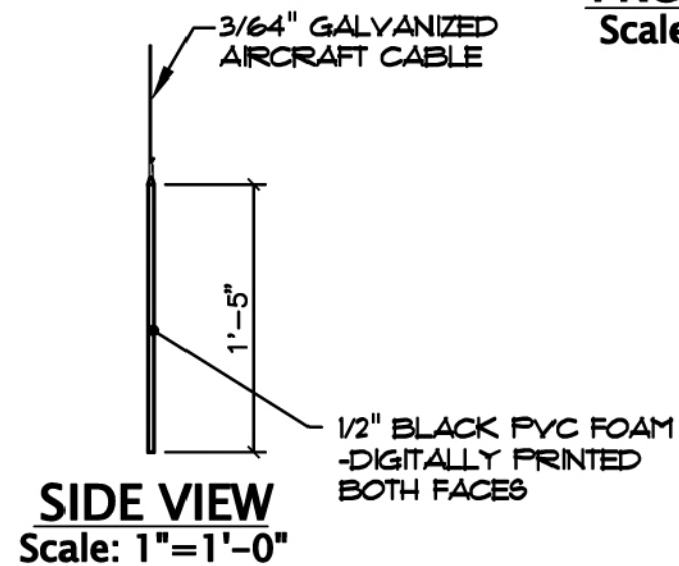
CUSTOM MADE FRESH



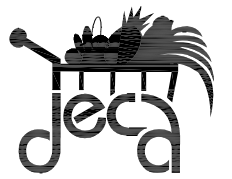
D-706



FRONT VIEW
Scale: 1"=1'-0"



SIDE VIEW
Scale: 1"=1'-0"



Defense
Commissary
Agency
Lackland AFB, Texas
Fort Lee, Virginia

© COPYRIGHT 2009
THIS DOCUMENT IS THE PROPERTY OF THE DEFENSE
COMMISSARY AGENCY AND NO PART HEREIN SHALL BE
USED WITHOUT THE CONSENT OF THE DEFENSE
COMMISSARY AGENCY

DATE:	SOLICITATION ISSUE: 2-25-09
DATE:	CRITERIA ISSUE: 5-28-09
DATE:	
DATE:	

DeCA
Decor
2009

Sushi
Sign

D-706



Defense
Commissary
Agency
Lackland AFB, Texas
Fort Lee, Virginia

© COPYRIGHT 2009
THIS DOCUMENT IS THE PROPERTY OF THE DEFENSE
COMMISSARY AGENCY AND NO PART HEREIN SHALL BE
USED WITHOUT THE CONSENT OF THE DEFENSE
COMMISSARY AGENCY

DATE:	SOLICITATION ISSUE: 2-25-09
DATE:	CRITERIA ISSUE: 5-28-09
DATE:	
DATE:	

DeCA
Decor
2009

Frozen
Food
Signs

D-901A
D-901B
D-901C
1 OF 4



D-901A

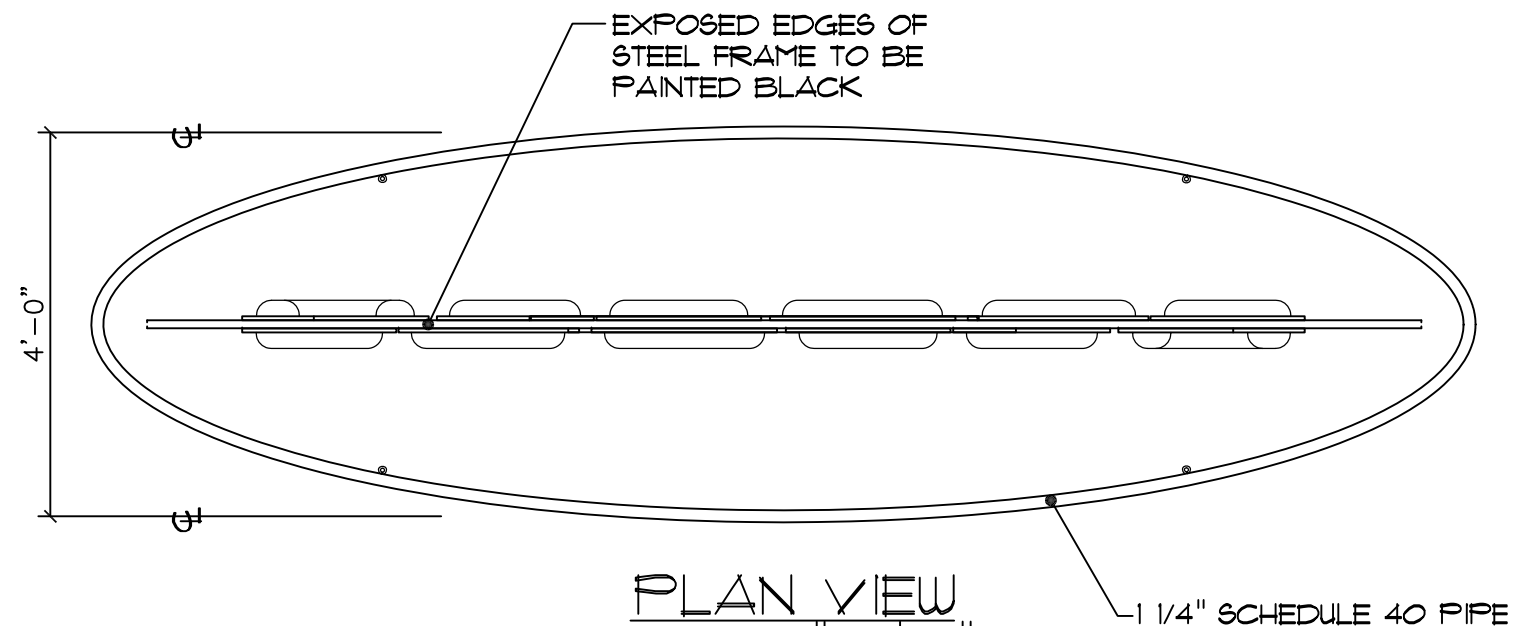
D-901B

NOTE: SCALE ENTIRE
COMPONENT TO 1/2 SIZE FOR
STORES WITH A CEILING HEIGHT
OF 14' OR LESS

WHITE SNOWFLAKE ICON WILL NOT HAVE A BLACK
OUTLINE, BLACK OUTLINE SHOWN ONLY FOR CLARITY

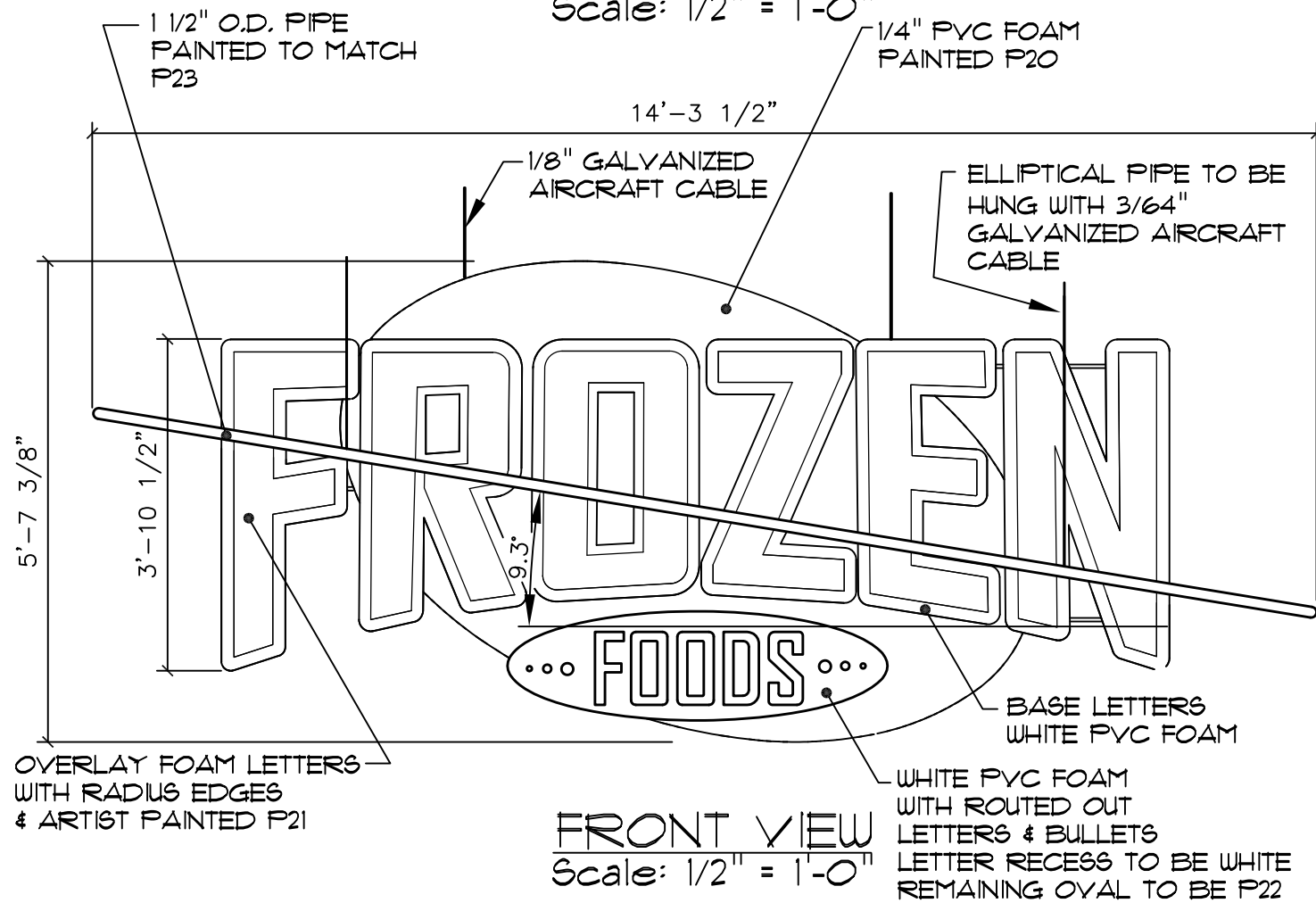


D-901C



PLAN VIEW

Scale: 1/2" = 1'-0"



FRONT VIEW

Scale: 1/2" = 1'-0"



Defense
Commissary
Agency
Lackland AFB, Texas
Fort Lee, Virginia

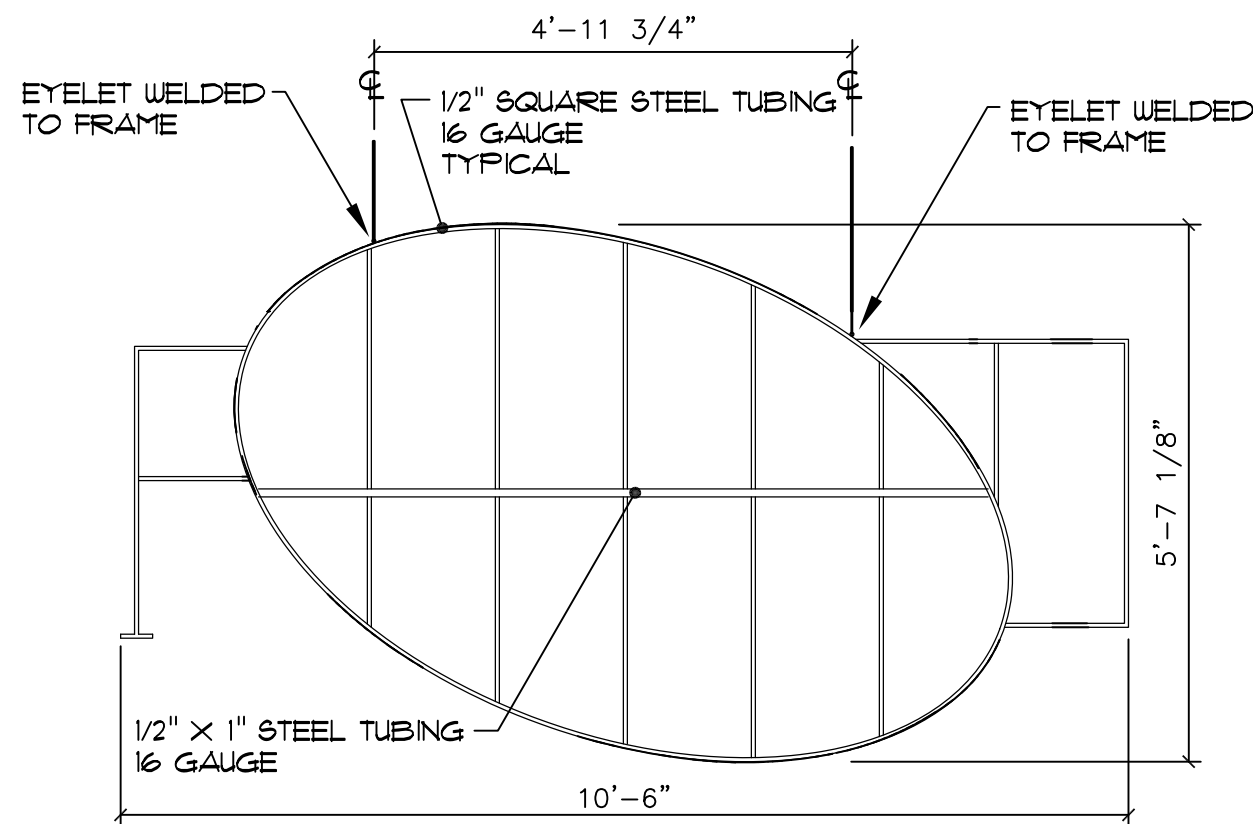
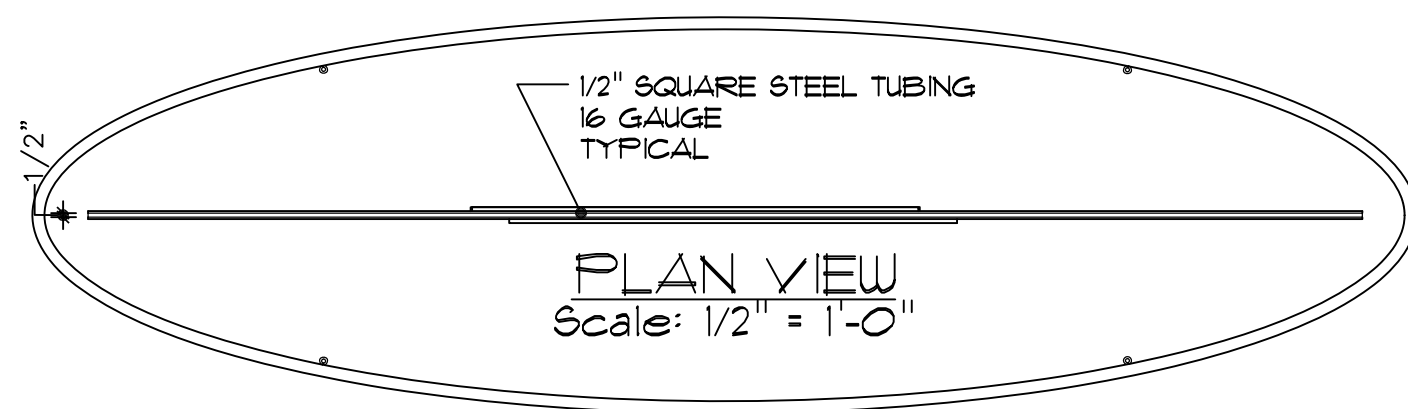
© COPYRIGHT 2009
THIS DOCUMENT IS THE PROPERTY OF THE DEFENSE
COMMISSARY AGENCY AND NO PART HEREIN SHALL BE
USED WITHOUT THE CONSENT OF THE DEFENSE
COMMISSARY AGENCY

DATE:	SOLICITATION ISSUE: 2-25-09
DATE:	CRITERIA ISSUE: 5-28-09
DATE:	
DATE:	

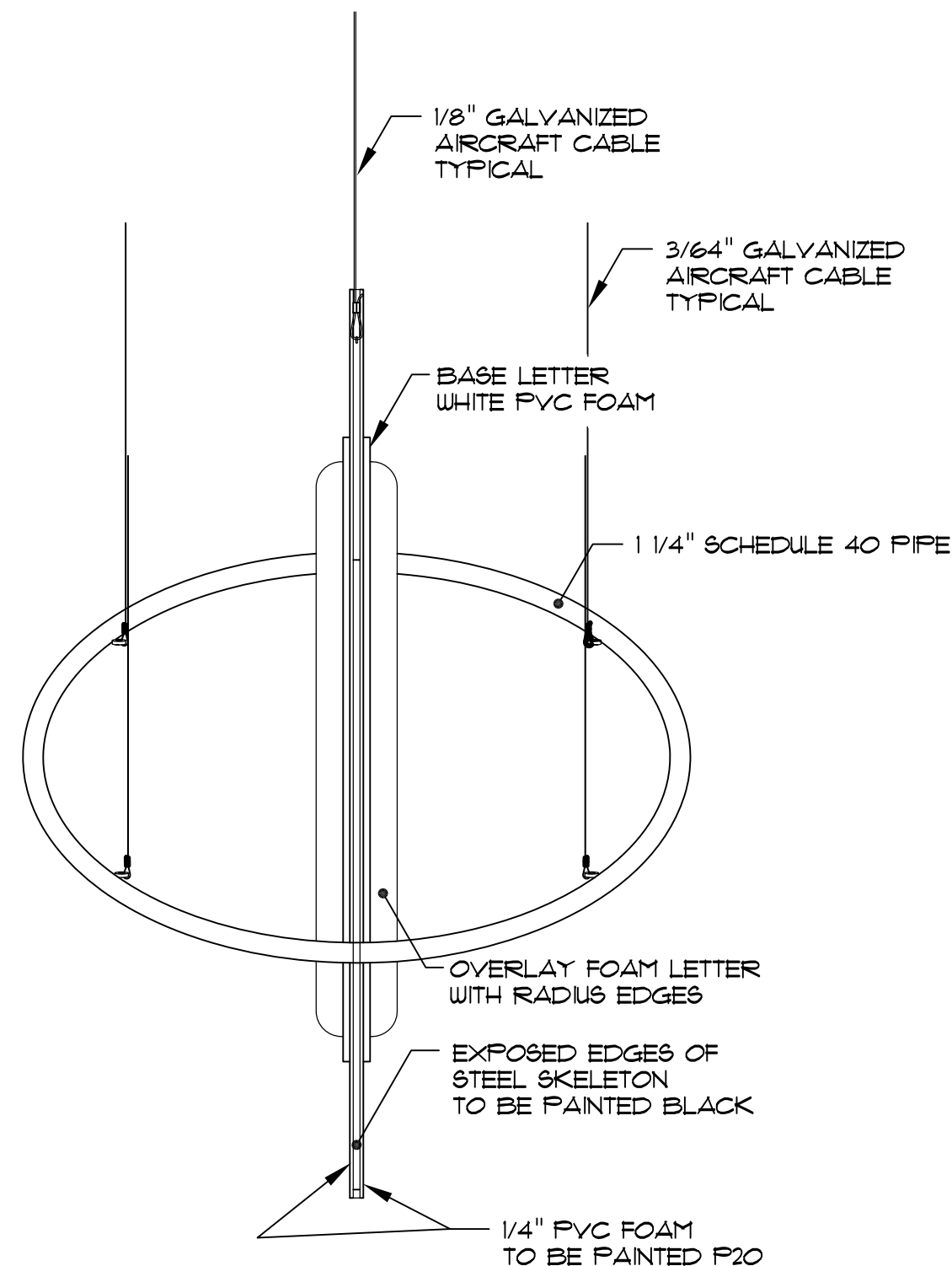
DeCA Decor 2009

Frozen
Food
Signs

D-901A
D-901B
D-901C
2 OF 4



FRONT VIEW
Scale: 1/2" = 1'-0"



SIDE VIEW
Scale: 1" = 1'-0"



Defense
Commissary
Agency
Lackland AFB, Texas
Fort Lee, Virginia

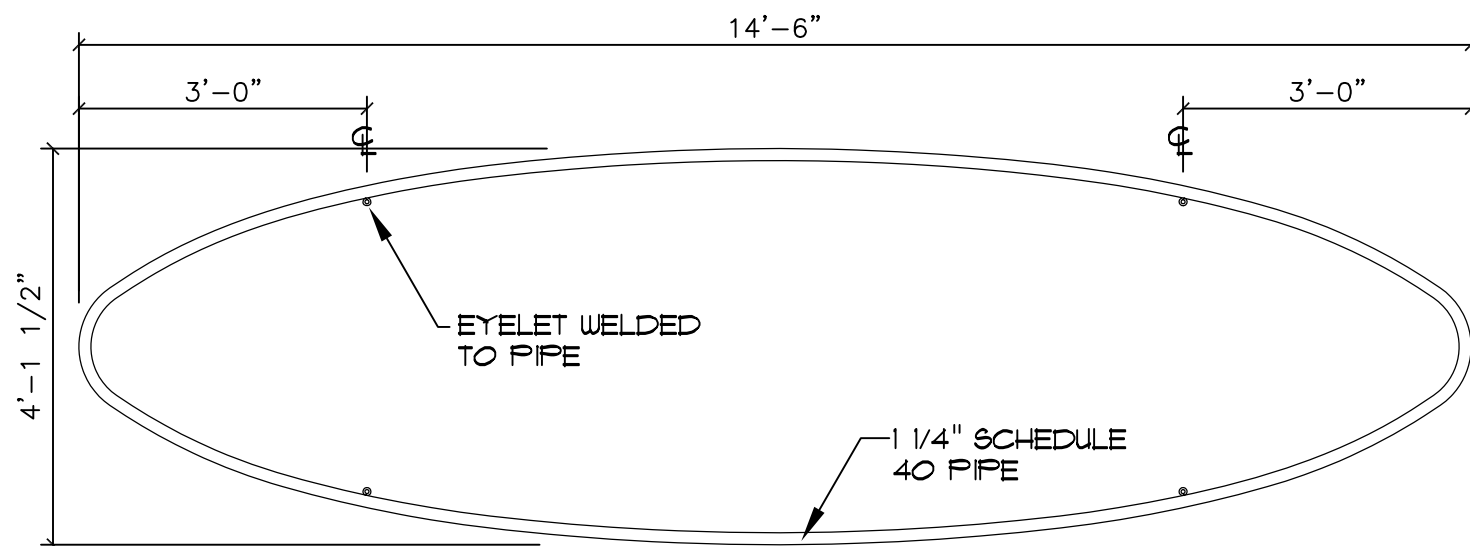
© COPYRIGHT 2009
THIS DOCUMENT IS THE PROPERTY OF THE DEFENSE
COMMISSARY AGENCY AND NO PART HEREIN SHALL BE
USED WITHOUT THE CONSENT OF THE DEFENSE
COMMISSARY AGENCY

DATE:	SOLICITATION ISSUE: 2-25-09
DATE:	CRITERIA ISSUE: 5-28-09
DATE:	
DATE:	

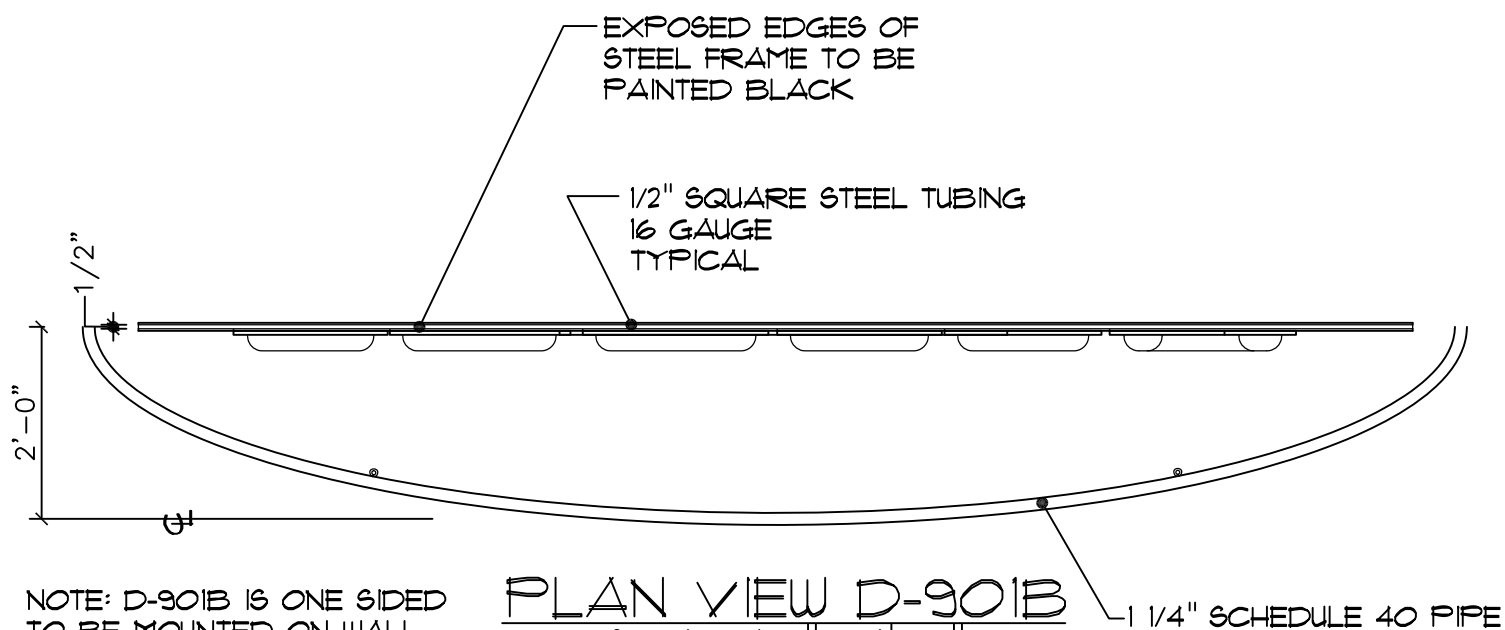
DeCA
Decor
2009

Frozen
Food
Signs

D-901A
D-901B
D-901C
3 OF 4



PLAN VIEW (TRUE SIZE)
Scale: 1/2" = 1'-0"



NOTE: D-901B IS ONE SIDED TO BE MOUNTED ON WALL, SIMILAR CONSTRUCTION TO D-901A

PLAN VIEW D-901B
Scale: 1/2" = 1'-0"



Defense
Commissary
Agency
Lackland AFB, Texas
Fort Lee, Virginia

© COPYRIGHT 2009

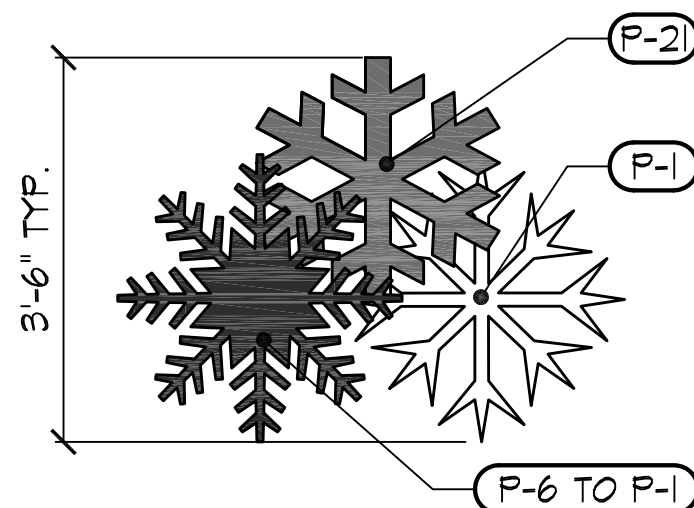
THIS DOCUMENT IS THE PROPERTY OF THE DEFENSE
COMMISSARY AGENCY AND NO PART HEREIN SHALL BE
USED WITHOUT THE CONSENT OF THE DEFENSE
COMMISSARY AGENCY

DATE: SOLICITATION ISSUE: 2-25-09

DATE: CRITERIA ISSUE: 5-28-09

DATE:

DATE:



GRAPHIC ICON CONSTRUCTION D-901C

ICON PANELS SHALL BE CONSTRUCTED OF 1" THK PVCFOAM BOARD WITH PAINTABLE LAMINATE FACE. INDIVIDUAL ICONS SHALL BE LAYERED ON TOP OF EACH OTHER. EDGES TO BE PAINTED BLACK (P-5). GRAPHICS SHALL BE INKJET DIGITAL IMAGING WITH A PROTECTIVE UV COATING - SEAL #1316-3 PRINT GUARD UV WITH A SATIN MATTE FINISH. ARTWORK FOR GRAPHICS SHALL BE PROVIDED BY DeCA.

NOTE:
COLORS SHOWN FOR GENERAL
REFERENCE ONLY. REFER TO ARTWORK

DeCA
Decor
2009

Frozen
Food
Signs

D-901A
D-901B
D-901C

4 OF 4



Defense
Commissary
Agency
Lackland AFB, Texas
Fort Lee, Virginia

© COPYRIGHT 2009
THIS DOCUMENT IS THE PROPERTY OF THE DEFENSE
COMMISSARY AGENCY AND NO PART HEREIN SHALL BE
USED WITHOUT THE CONSENT OF THE DEFENSE
COMMISSARY AGENCY

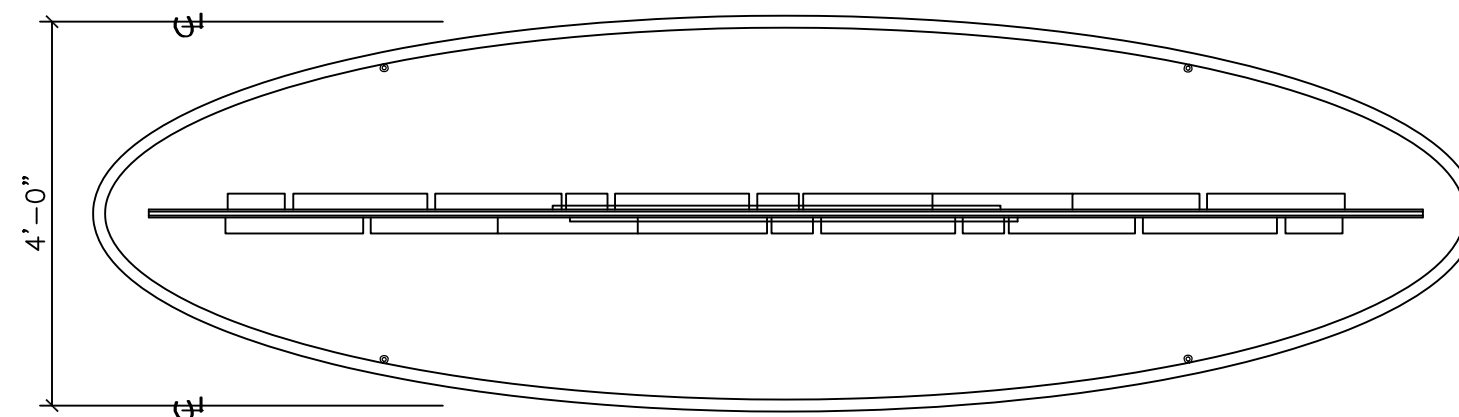
DATE:	SOLICITATION ISSUE: 2-25-09
DATE:	CRITERIA ISSUE: 5-28-09
DATE:	
DATE:	

DeCA
Decor
2009

Convenience
Store
Signs

D-1101
D-1103

1 OF 5

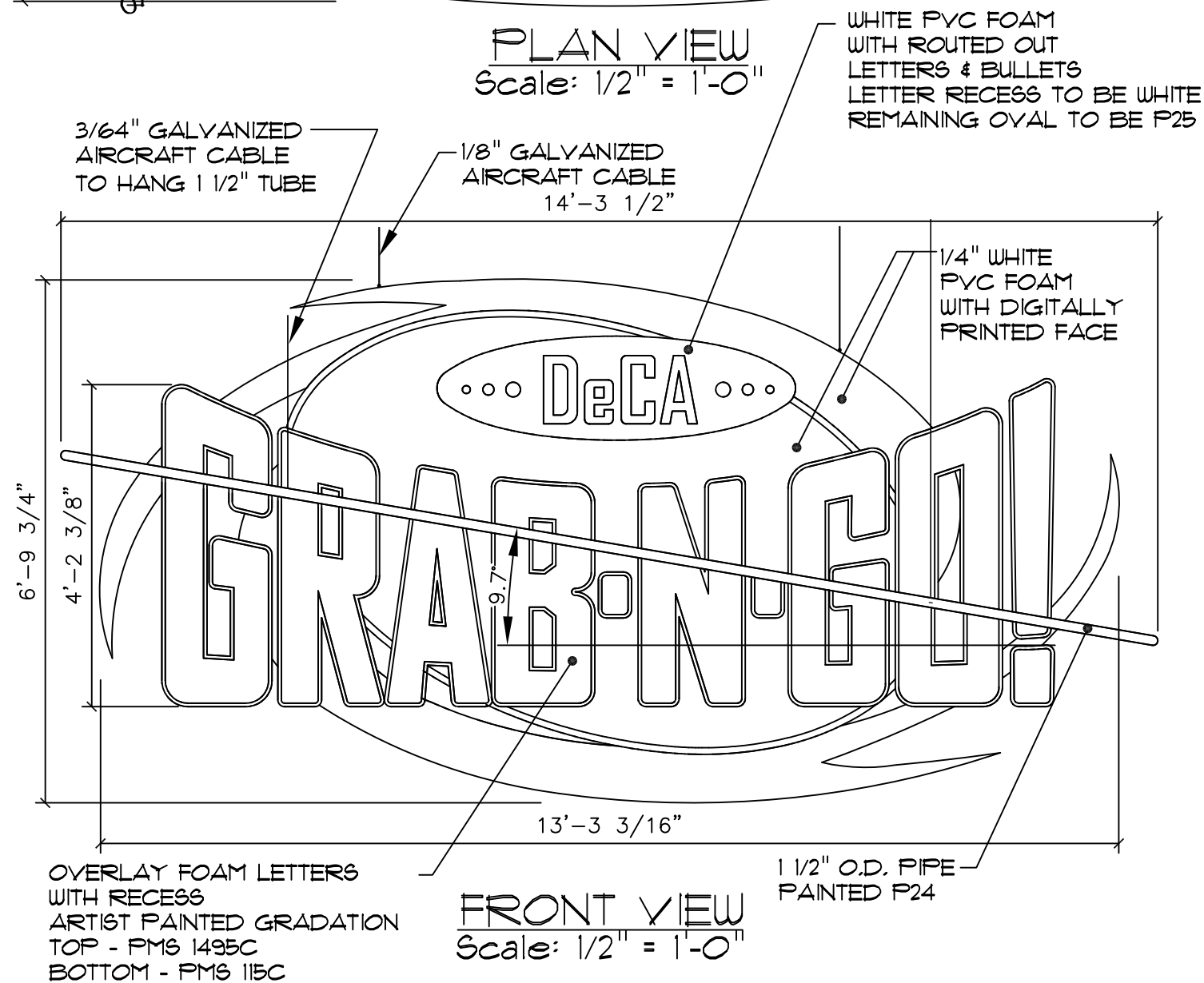


PLAN VIEW
Scale: 1/2" = 1'-0"



D-1101

NOTE: SCALE ENTIRE
COMPONENT TO 1/2 SIZE FOR
STORES WITH A CEILING HEIGHT
OF 14' OR LESS



FRONT VIEW
Scale: 1/2" = 1'-0"



Defense
Commissary
Agency
Lackland AFB, Texas
Fort Lee, Virginia

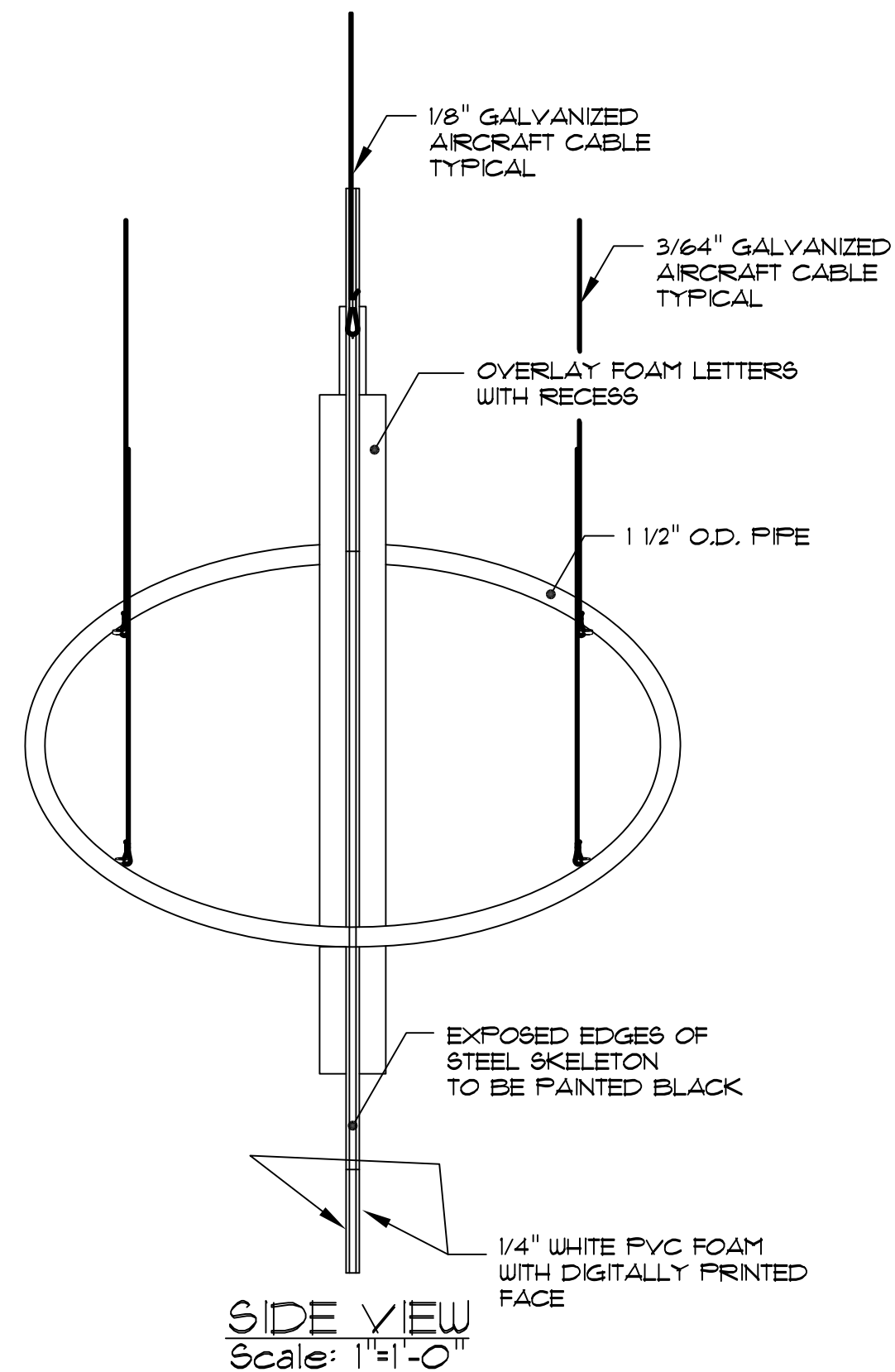
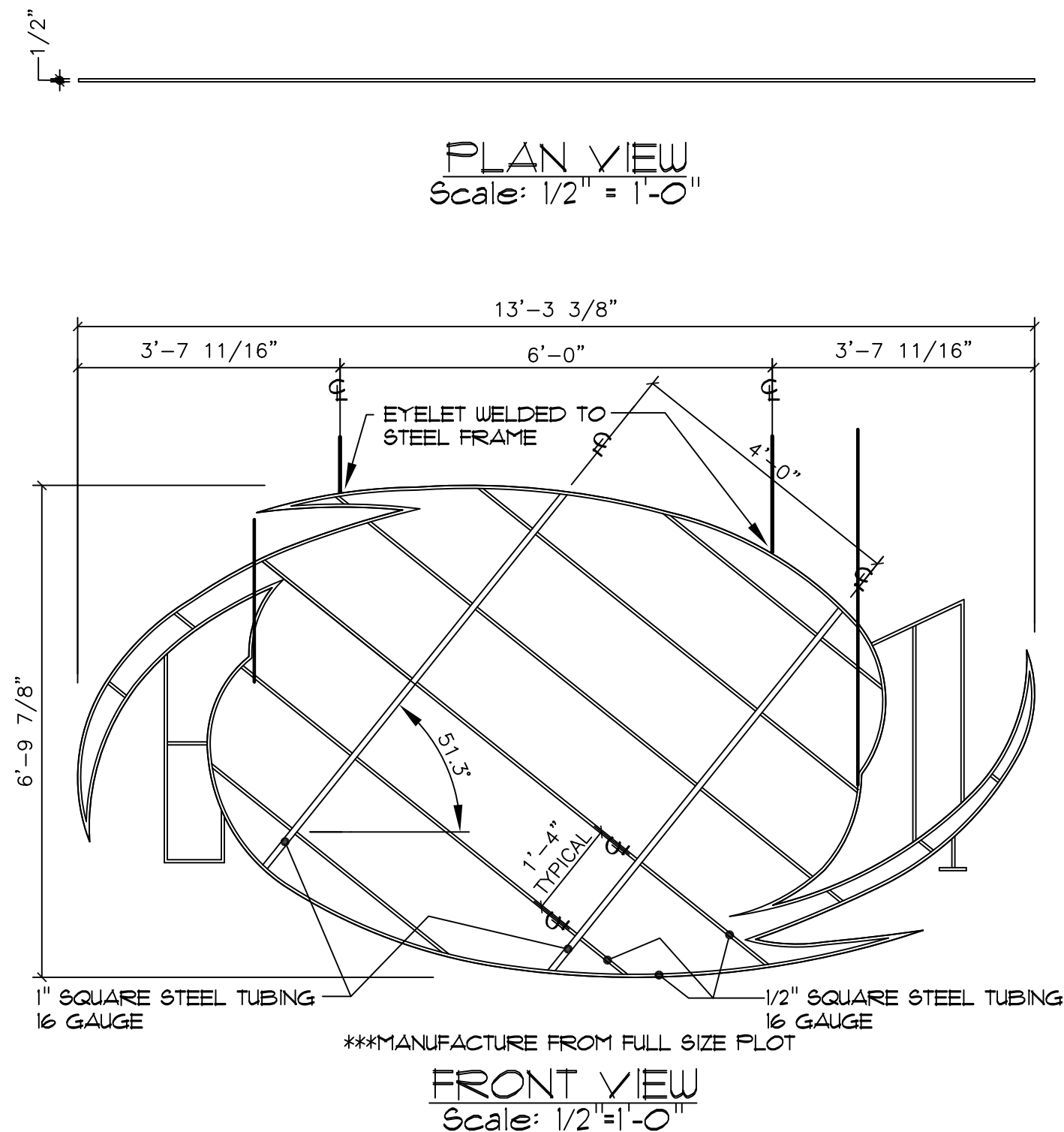
© COPYRIGHT 2009
THIS DOCUMENT IS THE PROPERTY OF THE DEFENSE
COMMISSARY AGENCY AND NO PART HEREIN SHALL BE
USED WITHOUT THE CONSENT OF THE DEFENSE
COMMISSARY AGENCY

DATE:	SOLICITATION ISSUE: 2-25-09
DATE:	CRITERIA ISSUE: 5-28-09
DATE:	
DATE:	

DeCA
Decor
2009

Convenience
Store
Signs

D-1101
D-1103

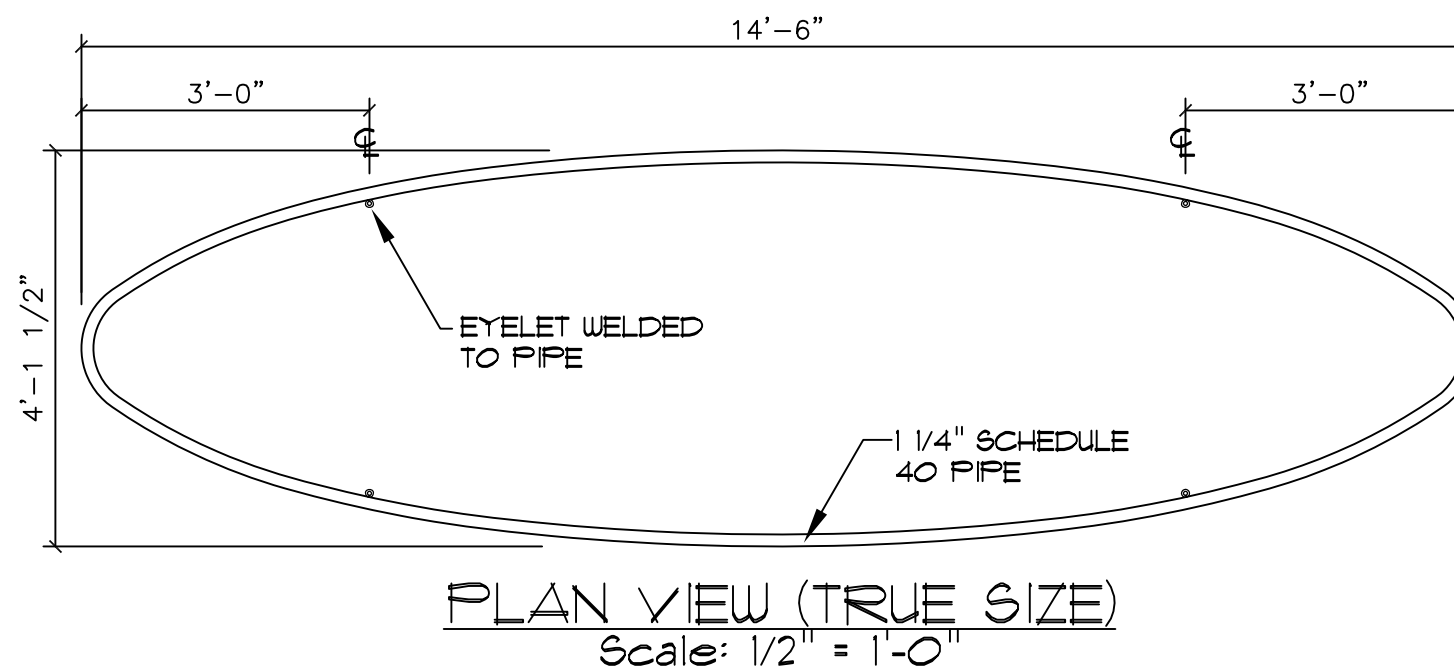




Defense
Commissary
Agency
Lackland AFB, Texas
Fort Lee, Virginia

© COPYRIGHT 2009
THIS DOCUMENT IS THE PROPERTY OF THE DEFENSE
COMMISSARY AGENCY AND NO PART HEREIN SHALL BE
USED WITHOUT THE CONSENT OF THE DEFENSE
COMMISSARY AGENCY

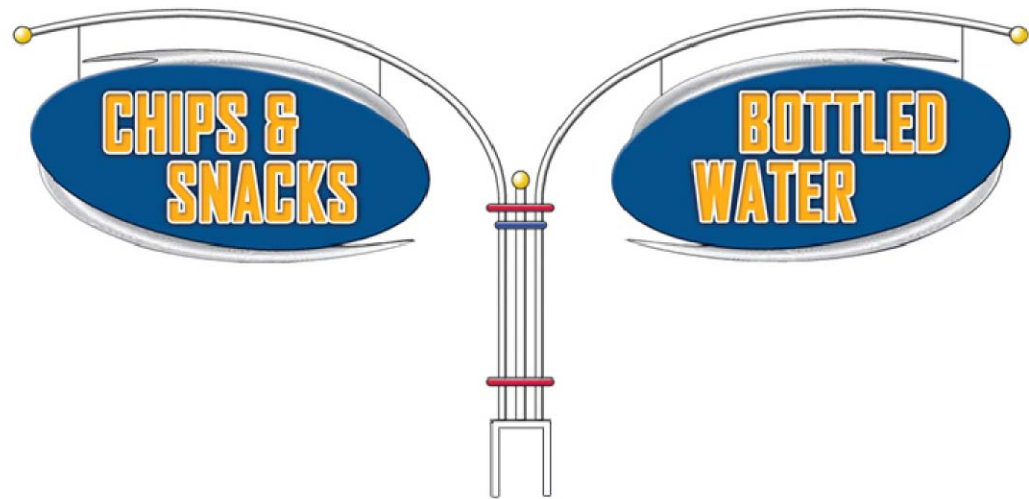
DATE:	SOLICITATION ISSUE: 2-25-09
DATE:	CRITERIA ISSUE: 5-28-09
DATE:	
DATE:	



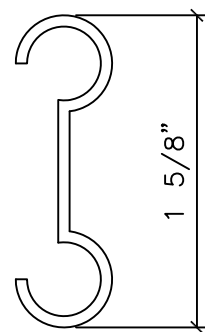
DeCA
Decor
2009

Convenience
Store
Signs

D-1101
D-1103

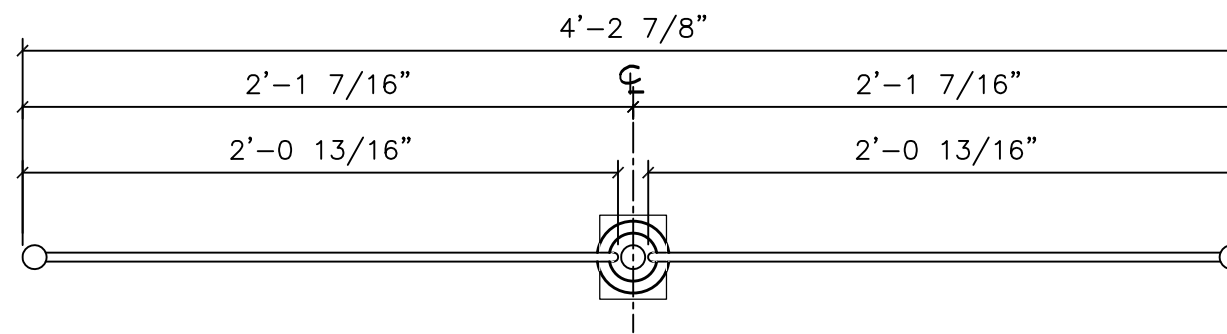


D-1103

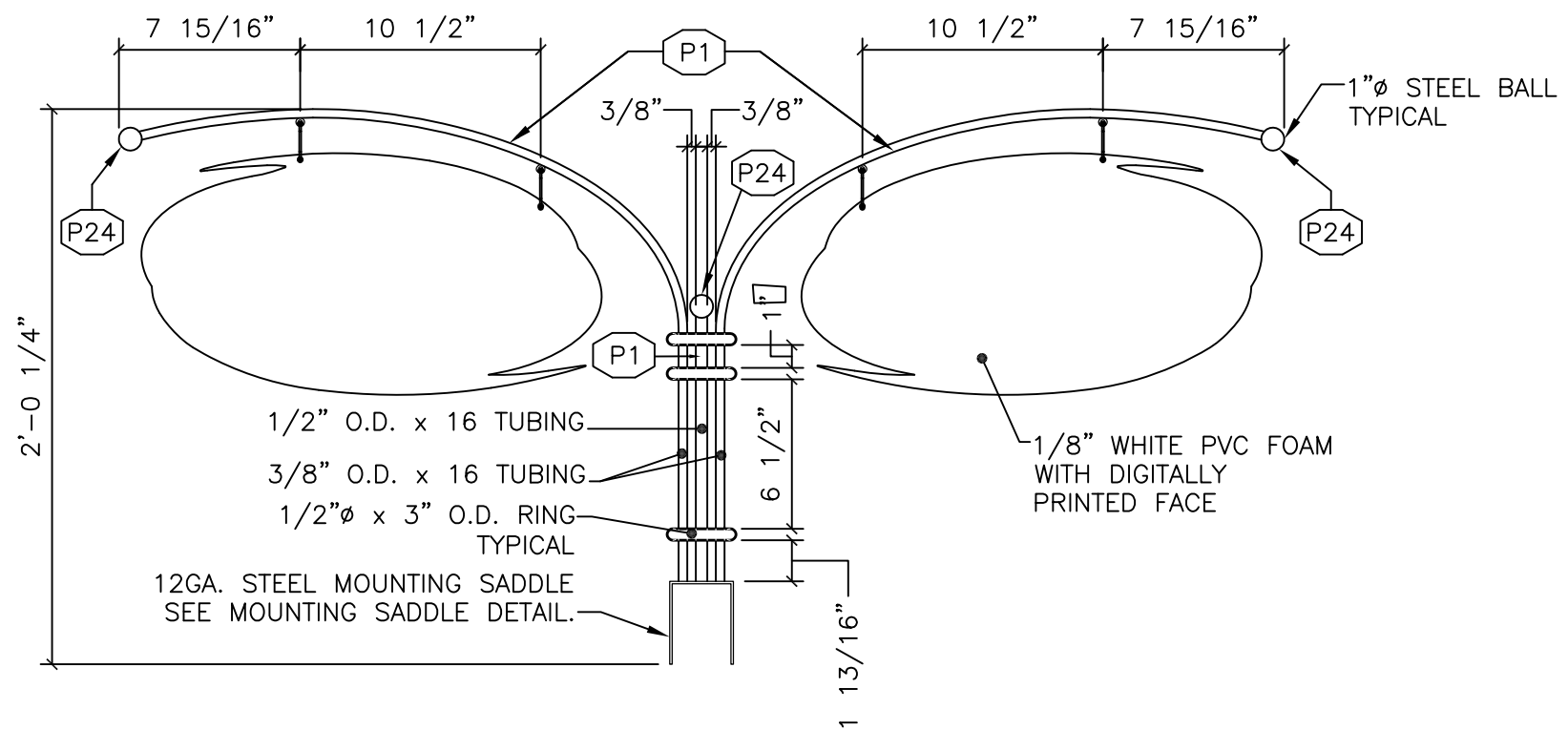


NOTE:
E-HOOKS USED TO HANG
COMMODITY SIGN FROM
STEEL T-BRACKET.

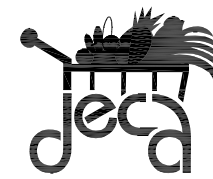
E-HOOK DETAIL
FULL SCALE



PLAN VIEW
Scale: 1-1/2"=1'-0"



FRONT VIEW
Scale: 1-1/2"=1'-0"



Defense
Commissary
Agency
Lackland AFB, Texas
Fort Lee, Virginia

© COPYRIGHT 2009
THIS DOCUMENT IS THE PROPERTY OF THE DEFENSE
COMMISSARY AGENCY AND NO PART HEREIN SHALL BE
USED WITHOUT THE CONSENT OF THE DEFENSE
COMMISSARY AGENCY

DATE:	SOLICITATION ISSUE: 2-25-09
DATE:	CRITERIA ISSUE: 5-28-09
DATE:	
DATE:	

DeCA
Decor
2009

Convenience
Store
Signs

D-1101
D-1103



Defense
Commissary
Agency
Lackland AFB, Texas
Fort Lee, Virginia

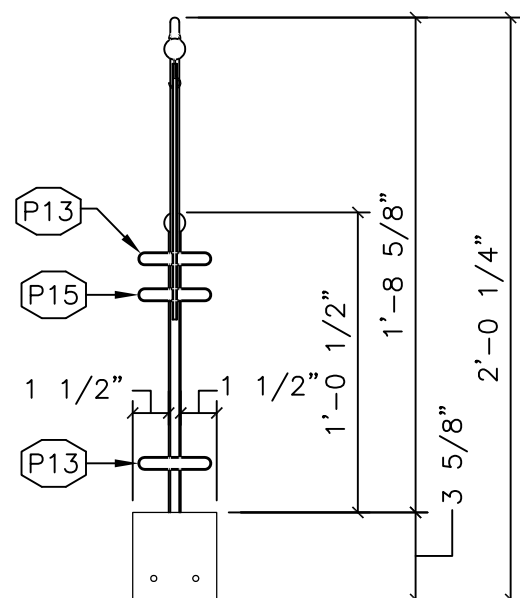
© COPYRIGHT 2009
THIS DOCUMENT IS THE PROPERTY OF THE DEFENSE
COMMISSARY AGENCY AND NO PART HEREIN SHALL BE
USED WITHOUT THE CONSENT OF THE DEFENSE
COMMISSARY AGENCY

DATE: SOLICITATION ISSUE: 2-25-09
DATE: CRITERIA ISSUE: 5-28-09
DATE:
DATE:

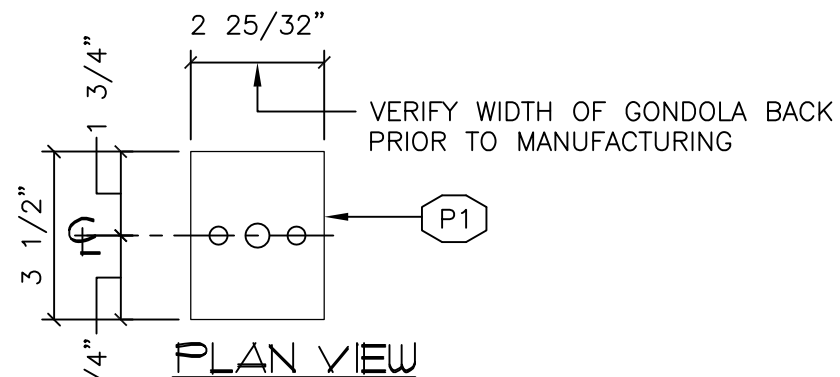
DeCA
Decor
2009

Convenience
Store
Signs

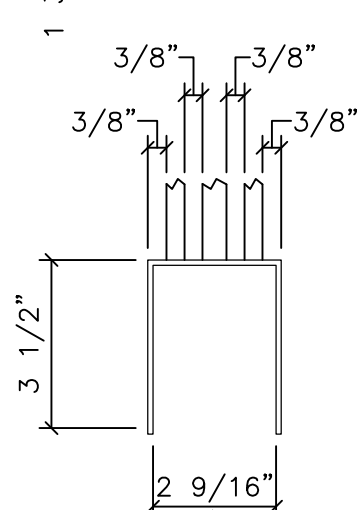
D-1101
D-1103



SIDE VIEW
Scale: 1-1/2"=1'-0"

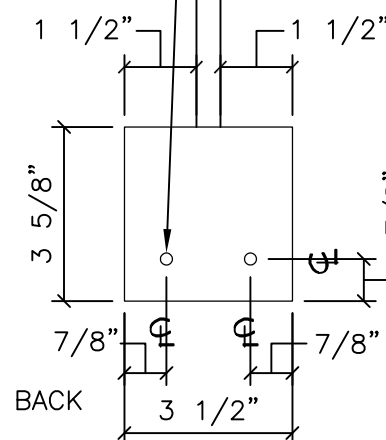


PLAN VIEW



FRONT VIEW

1/4" DIAMETER HOLES
THROUGH BOTH SIDES OF
SADDLE AS NOTED



SIDE VIEW

MOUNTING SADDLE DETAIL
Scale: 3"=1'-0"

PAINT LEGEND

CODE	MANUFACTURER	NUMBER	NAME
P1	BENJAMIN MOORE	AC-40	GLACIER WHITE
P13	BENJAMIN MOORE	2003-20	STRAWBERRY
P15	BENJAMIN MOORE	2061-30	BERMUDA BLUE
P24	BENJAMIN MOORE	2022-30	BRIGHT YELLOW

ALL PAINT TO BE SUPER-SPEC ALKYD SEMI-GLOSS ENAMEL



Defense
Commissary
Agency
Lackland AFB, Texas
Fort Lee, Virginia

© COPYRIGHT 2009
THIS DOCUMENT IS THE PROPERTY OF THE DEFENSE
COMMISSARY AGENCY AND NO PART HEREIN SHALL BE
USED WITHOUT THE CONSENT OF THE DEFENSE
COMMISSARY AGENCY

DATE:	SOLICITATION ISSUE: 2-25-09
DATE:	CRITERIA ISSUE: 5-28-09
DATE:	
DATE:	

DeCA
Decor
2009

Value
Aisle
Signs

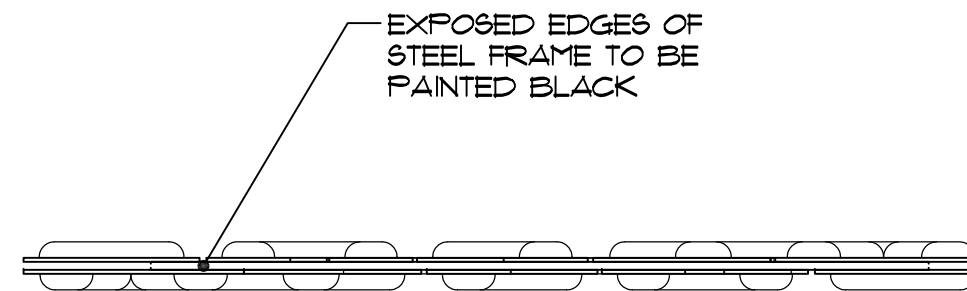
D-1301
D-1302

1 OF 3

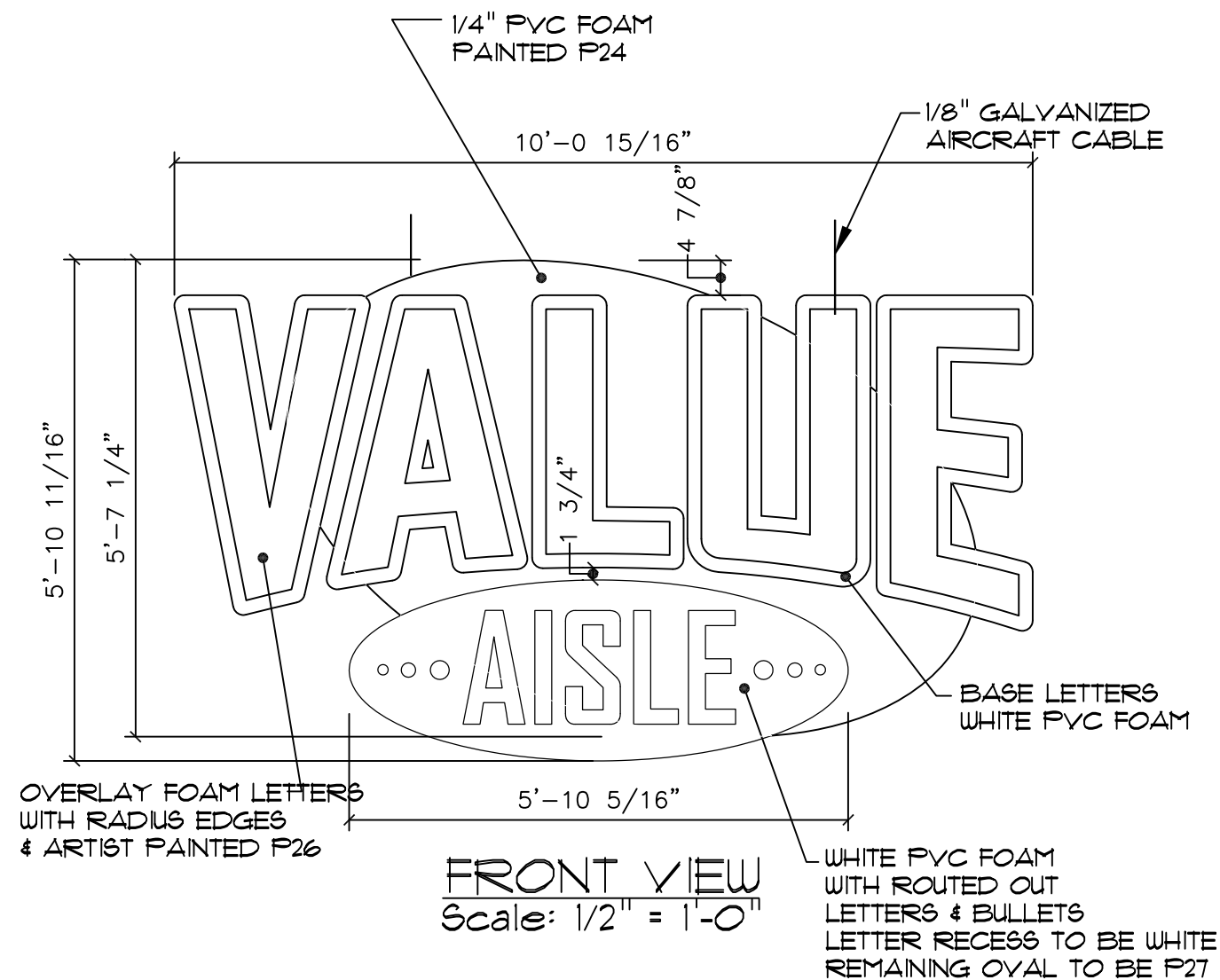


D-1301

NOTE: SCALE ENTIRE
COMPONENT TO 1/2 SIZE FOR
STORES WITH A CEILING HEIGHT
OF 14' OR LESS



PLAN VIEW
Scale: 1/2" = 1'-0"



FRONT VIEW
Scale: 1/2" = 1'-0"



Defense
Commissary
Agency
Lackland AFB, Texas
Fort Lee, Virginia

© COPYRIGHT 2009

THIS DOCUMENT IS THE PROPERTY OF THE DEFENSE
COMMISSARY AGENCY AND NO PART HEREIN SHALL BE
USED WITHOUT THE CONSENT OF THE DEFENSE
COMMISSARY AGENCY

DATE: SOLICITATION ISSUE: 2-25-09

DATE: CRITERIA ISSUE: 5-28-09

DATE:

DATE:

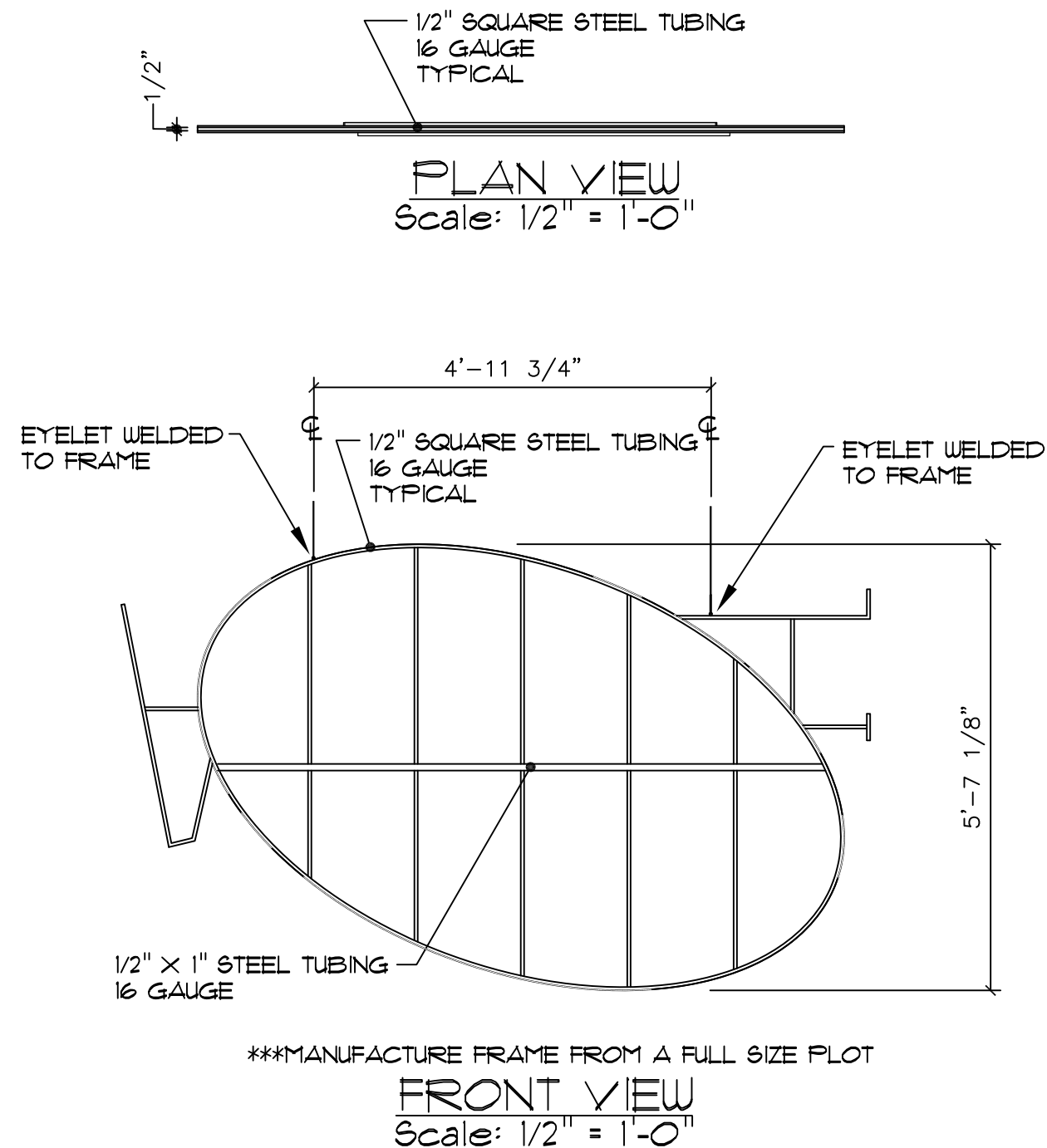
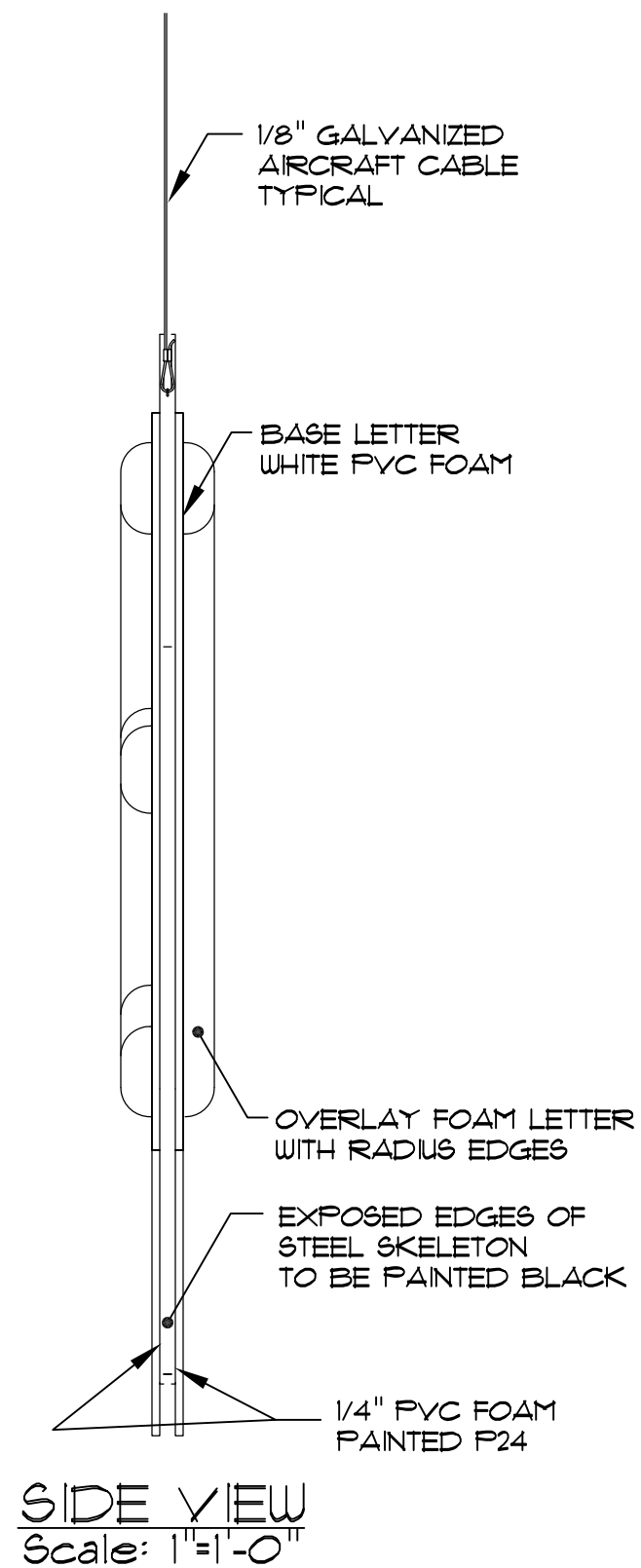
DATE:

DeCA
Decor
2009

Value
Aisle
Signs

D-1301
D-1302

2 OF 3



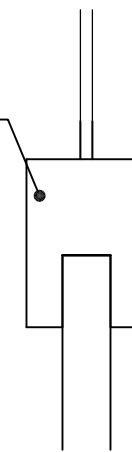


D-1302 PRICER

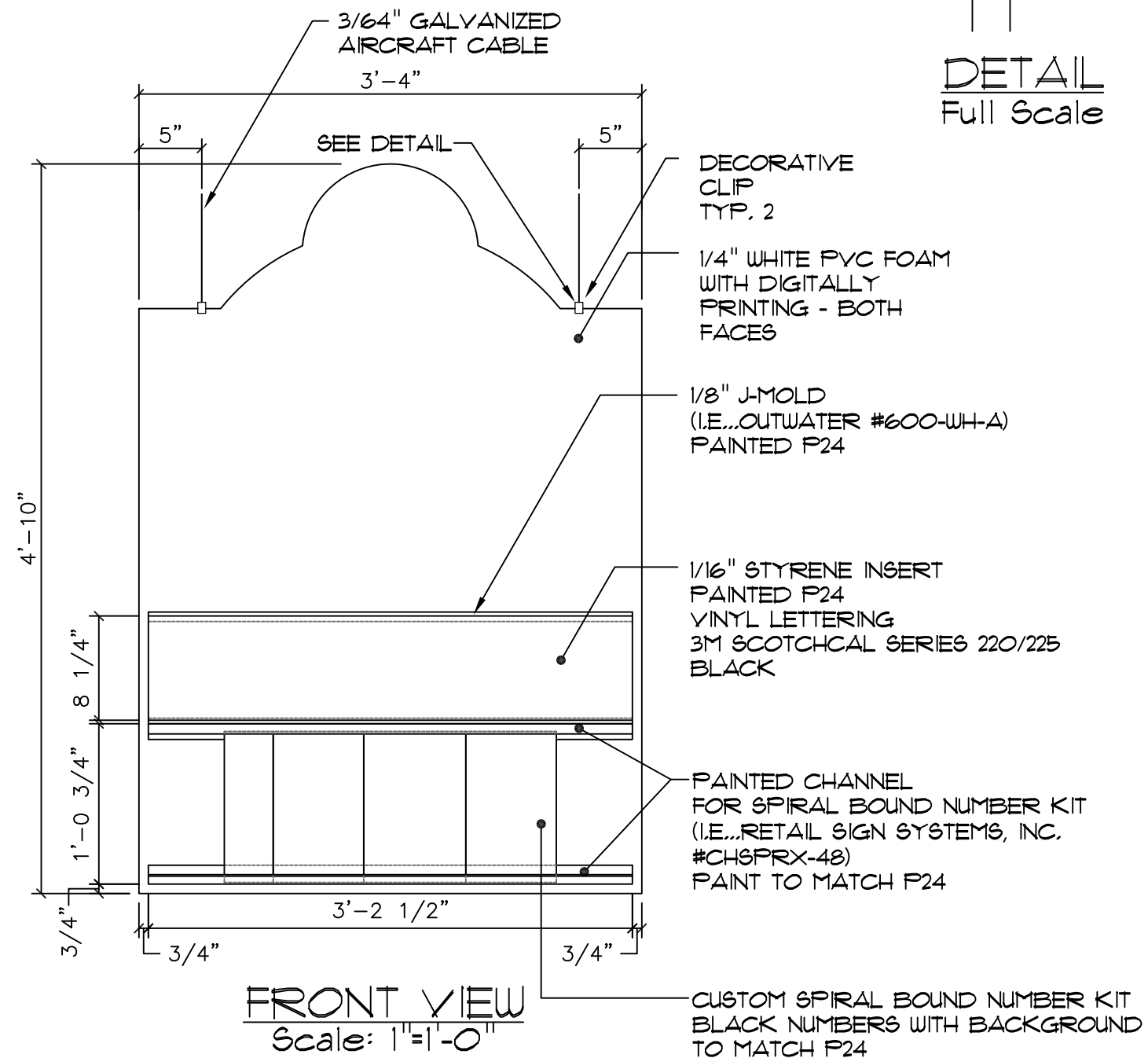
GENERAL NOTES:

1. SIGN TO BE DOUBLE SIDED

DECORATIVE CLIP
TYPICAL (2)



DETAIL
Full Scale



Defense
Commissary
Agency
Lackland AFB, Texas
Fort Lee, Virginia

© COPYRIGHT 2009
THIS DOCUMENT IS THE PROPERTY OF THE DEFENSE COMMISSARY AGENCY AND NO PART HEREIN SHALL BE USED WITHOUT THE CONSENT OF THE DEFENSE COMMISSARY AGENCY

DATE:	SOLICITATION ISSUE: 2-25-09
DATE:	CRITERIA ISSUE: 5-28-09
DATE:	
DATE:	

DeCA
Decor
2009

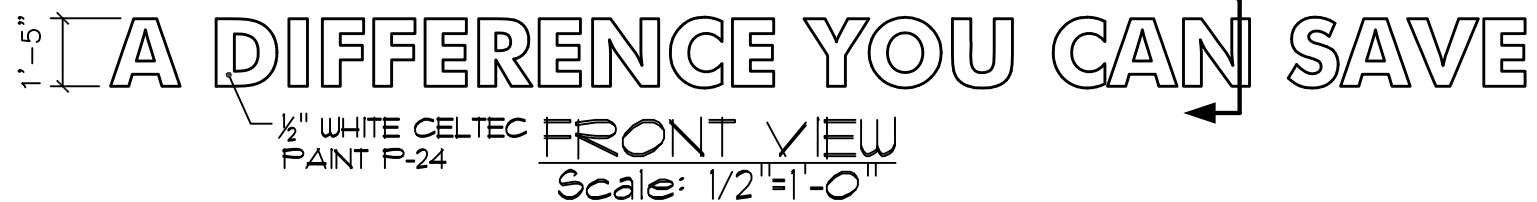
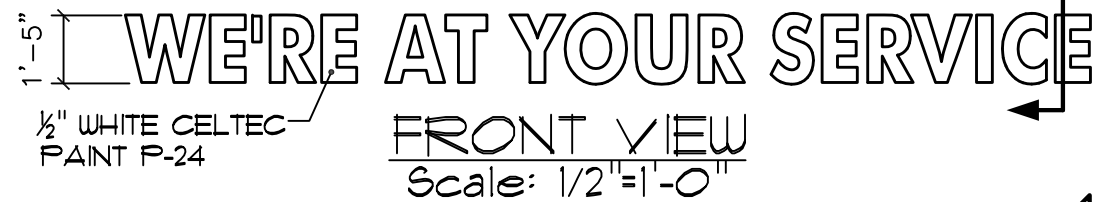
Value
Aisle
Signs

D-1301
D-1302

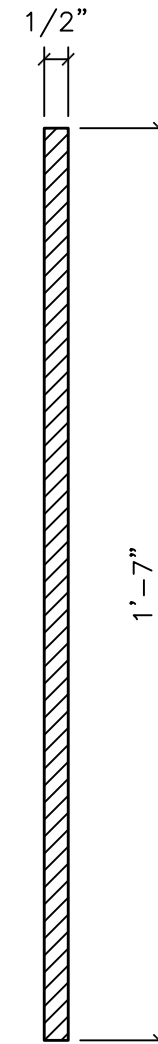
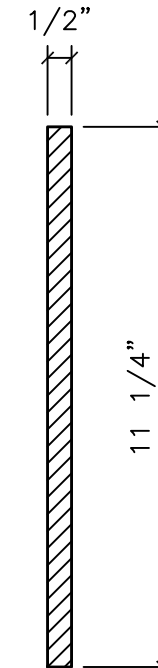
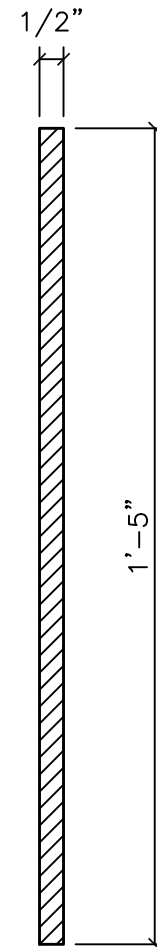
THANK YOU

FOR SHOPPING AT YOUR COMMISSARY

D-1403



D-1401



Defense
 Commissary
 Agency
 Lackland AFB, Texas
 Fort Lee, Virginia

© COPYRIGHT 2009
 THIS DOCUMENT IS THE PROPERTY OF THE DEFENSE
 COMMISSARY AGENCY AND NO PART HEREIN SHALL BE
 USED WITHOUT THE CONSENT OF THE DEFENSE
 COMMISSARY AGENCY

DATE:	SOLICITATION ISSUE: 2-25-09
DATE:	CRITERIA ISSUE: 5-28-09
DATE:	
DATE:	

DeCA
 Decor
 2009

Entry/Exit
 Lettering

D-1401
 D-1403



Defense
Commissary
Agency
Lackland AFB, Texas
Fort Lee, Virginia

© COPYRIGHT 2009
THIS DOCUMENT IS THE PROPERTY OF THE DEFENSE
COMMISSARY AGENCY AND NO PART HEREIN SHALL BE
USED WITHOUT THE CONSENT OF THE DEFENSE
COMMISSARY AGENCY

DATE:	SOLICITATION ISSUE: 2-25-09
DATE:	CRITERIA ISSUE: 5-28-09
DATE:	
DATE:	

DeCA
Decor
2009

Customer
Service
Banner

D-1402

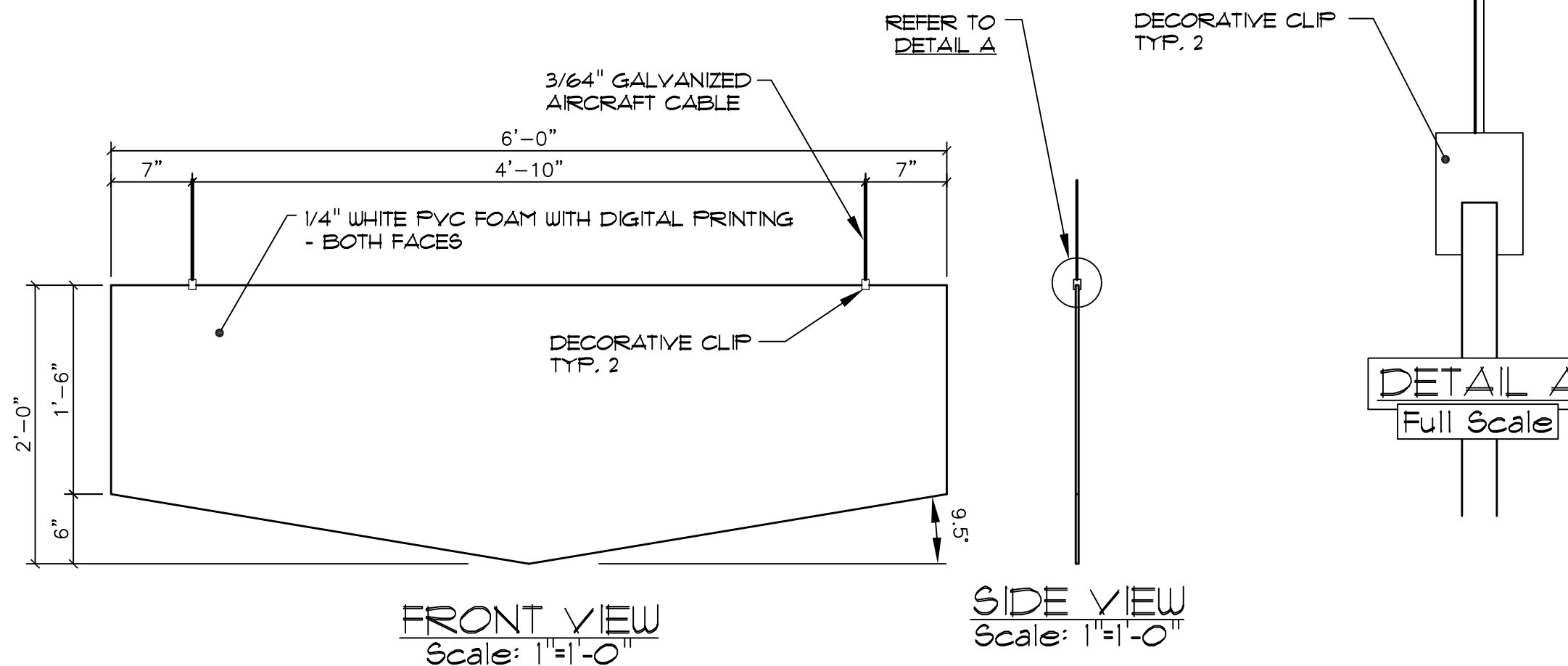
1 OF 1



D-1402

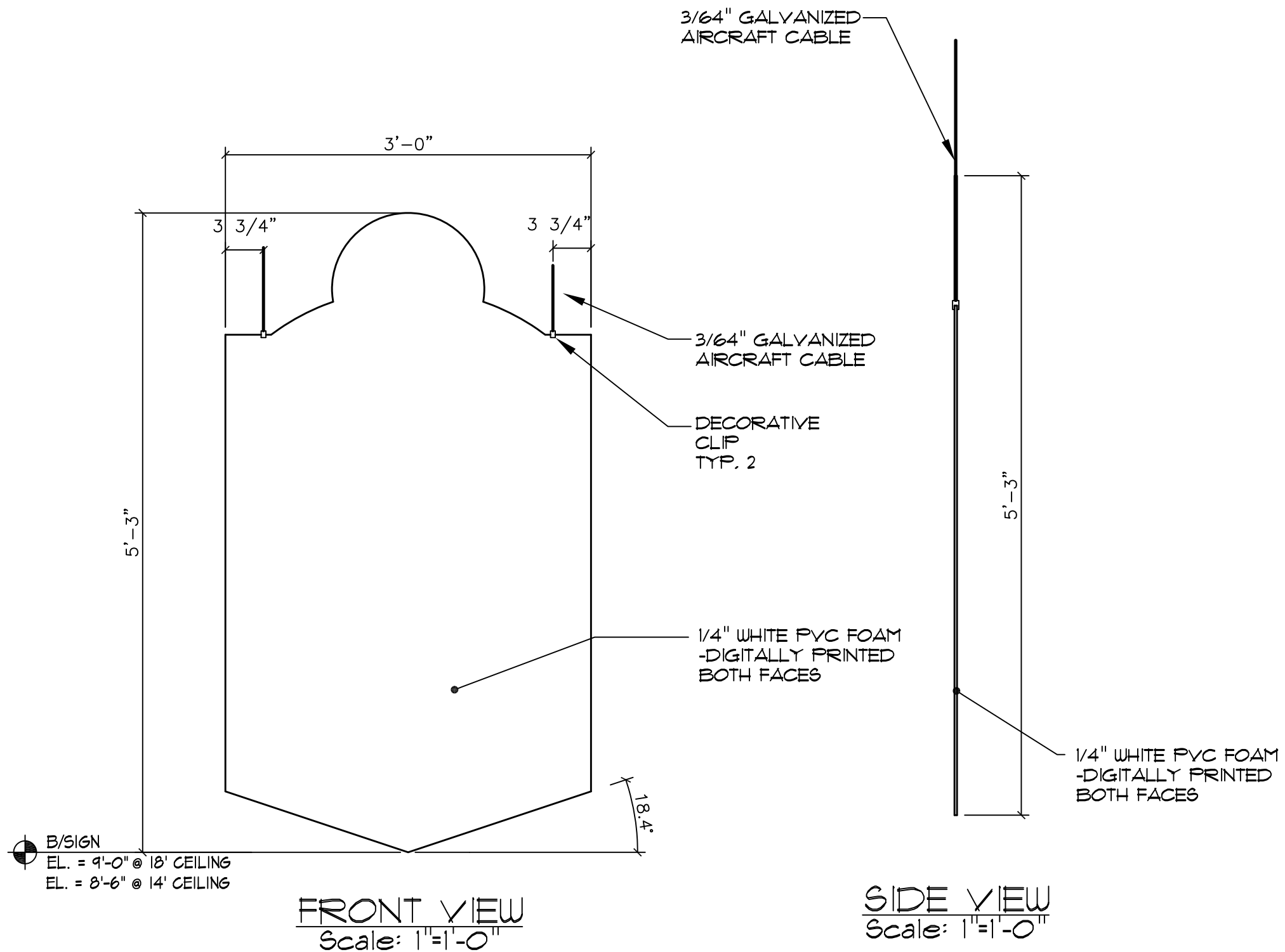
GENERAL NOTES:

1. GRAPHIC TO BE PRINTED ON 7 MIL HIGH GLOSS PHOTO BASED PAPER (I.E...MAGIC #MUG7)
2. INK TO BE INTERIOR DYE (I.E...ENCAD 1000)
3. PRINTED GRAPHIC TO BE PROTECTED WITH A PRESSURE SENSITIVE UV MATTE LAMINATE (I.E...SEAL PRINTSHIELD #62226)

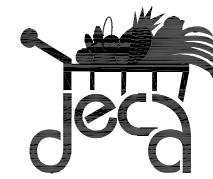




D-1405



14' - 18' CEILING HEIGHT



Defense
 Commissary
 Agency
 Lackland AFB, Texas
 Fort Lee, Virginia

© COPYRIGHT 2009
 THIS DOCUMENT IS THE PROPERTY OF THE DEFENSE
 COMMISSARY AGENCY AND NO PART HEREIN SHALL BE
 USED WITHOUT THE CONSENT OF THE DEFENSE
 COMMISSARY AGENCY

DATE:	SOLICITATION ISSUE: 2-25-09
DATE:	CRITERIA ISSUE: 5-28-09
DATE:	
DATE:	

DeCA
 Decor
 2009

Welcome
 Banner

D-1405



Defense
Commissary
Agency
Lackland AFB, Texas
Fort Lee, Virginia

© COPYRIGHT 2009

THIS DOCUMENT IS THE PROPERTY OF THE DEFENSE
COMMISSARY AGENCY AND NO PART HEREIN SHALL BE
USED WITHOUT THE CONSENT OF THE DEFENSE
COMMISSARY AGENCY

DATE: SOLICITATION ISSUE: 2-25-09

DATE: CRITERIA ISSUE: 5-28-09

DATE:

DATE:

DATE:

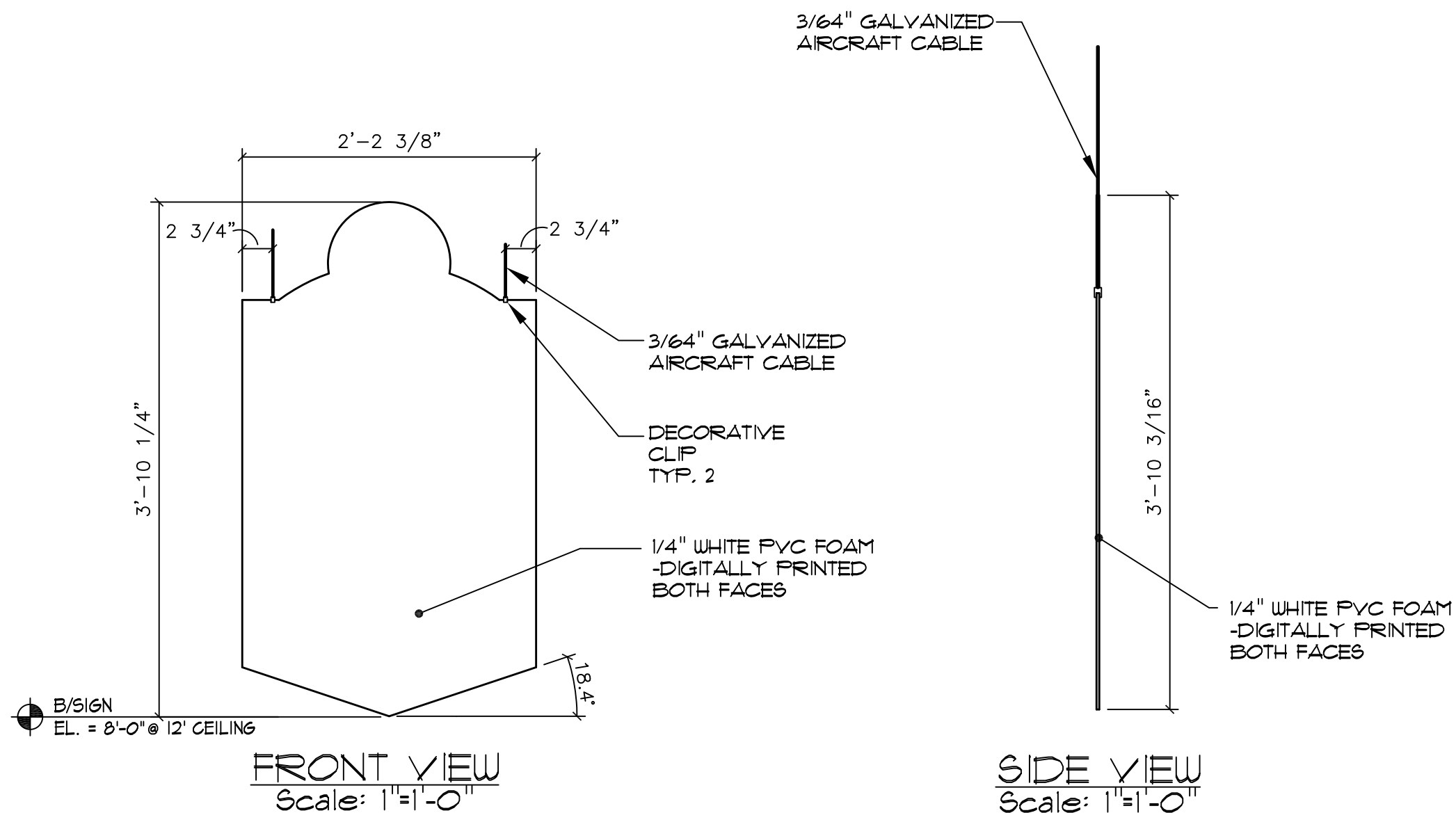
DeCA
Decor
2009

12' Ceiling

Welcome
Banner

D-1405-12

1 OF 1



12' CEILING HEIGHT