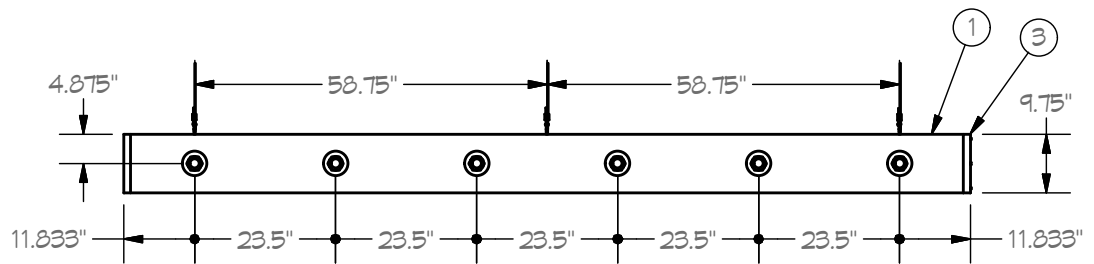
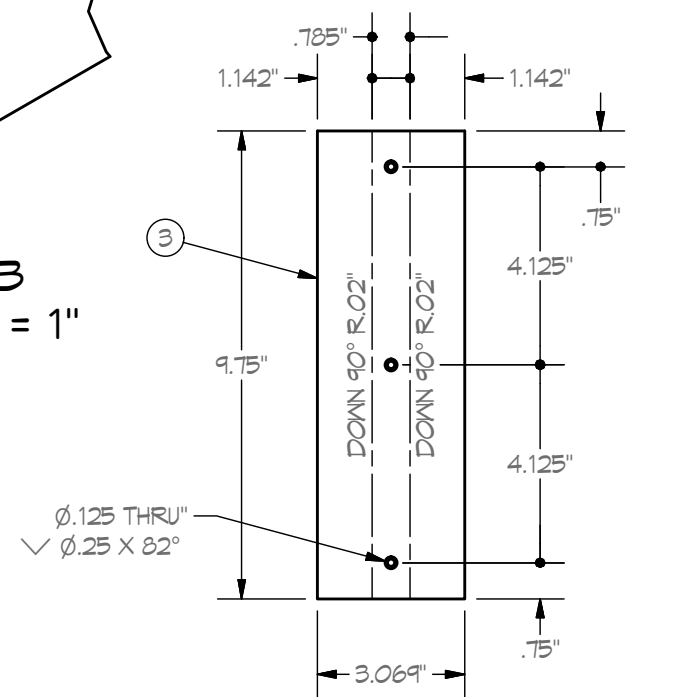
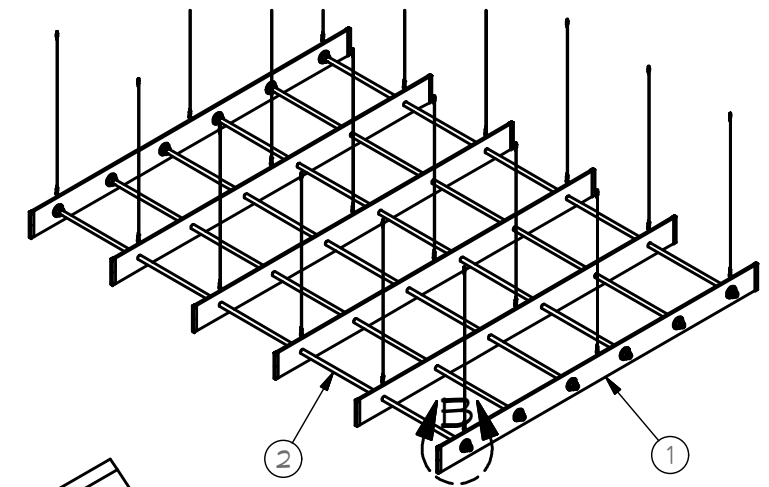
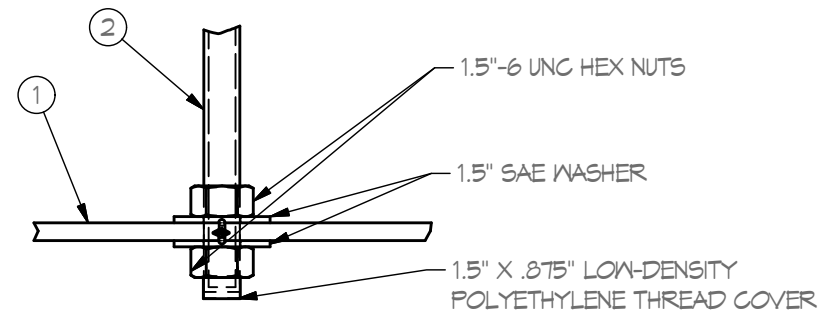
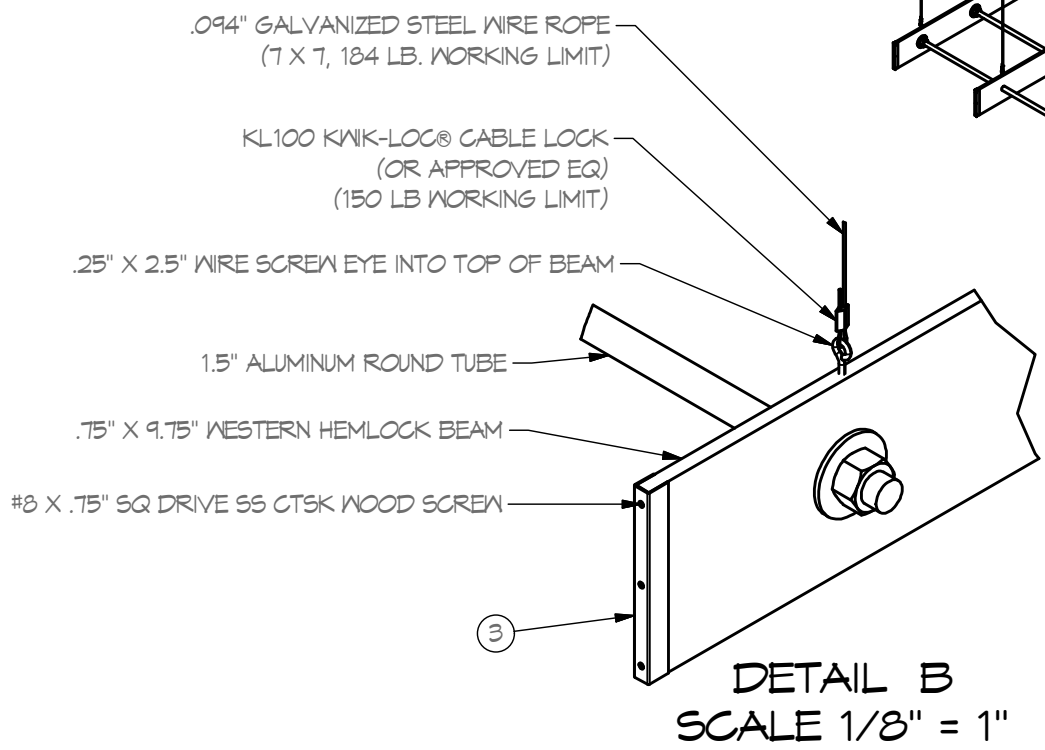


TOP VIEW
 SCALE 3/8" = 1"



FRONT VIEW
 SCALE 3/8" = 1"



PRODUCE DECOR GRID GENERAL NOTES

- 1) BEAMS TO BE .75" X 9.75" WESTERN HEMLOCK STAINED TO MATCH PL-1.
- 2) CONNECTING RODS TO BE 1-1/2" ALUMINUM 6061-T6 ROUND TUBE WITH 1.5"-6 UNC X 5" THREADS AT EACH END. ALUMINUM TUBE AND ALL HARDWARE TO BE PAINTED M-3.
- 3) .063" FORMED ALUMINUM 5052-H32 END CAPS TO HAVE MILL/BRUSHED FINISH.

Produce Decor Grid

DeCA
 Adaptive Uniform Decor Package

Defense Commissary Agency
 Lackland AFB, Texas
 Fort Lee, Virginia