

HUSSMANN®

Specialty



RGD24, RGD30

Refrigerated, Self-Service Merchandiser
for Deli, Dairy, Sandwiches, Grab-n-Go, Beverage,
Produce, and Floral Applications

- Stand Alone, End Cap or In-Line

Hussmann Refrigerated, Self-Service Merchandiser for Deli, Dairy, Sandwiches, Grab-n-Go, Beverage, Produce, and Floral Applications

RGD24, RGD30

Remote: 24"D or 30"D x 72"H
24"D or 30"D x 83"H
Lengths: 3'9", 4', 5', 6', 8', 10', and 12'

Self-Contained:

24"D x 72"H 3', 3'9", 4', *5', *6', and 8'
30"D x 72"H 4', *5', *6', and 8'

*Case height is 89 5/8" for these lengths.

Applications:

End Cap, Stand Alone, In-Line



Merchandising Capacity
Up to 64 1/8" vertical product area and 24" deep shelves create a high volume product merchandiser.

Features.

- 24" or 30" widths
- 72" or 83" heights (remote)
- Modular coil system - 5 year warranty
- Energy efficient fans
- Black interior
- Single top LED light
- Night curtain/shade
- 2" black vinyl cart bumper
- Solar digital thermometer
- Air evaporator pan with pump (self-contained, no floor drain)
- End panels (self-contained)
- Condensing unit (self-contained)
- Please reference color chart for choice of standard Hussmann paint and finish options (www.hussmann.com)

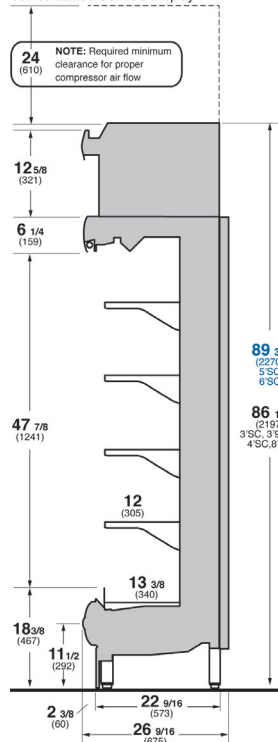
Options.

- End panels (solid or view end)
- LED Lighting and shelving †
RGD 72"H - 5 rows of shelves maximum allowed with LED lights (or unlighted).
RGD 83"H - 7 rows of shelves maximum allowed with LED lights (or unlighted).
- Back-lit signage (LEDs) †
- Mirror bright stainless steel on interior of end panels
- Powder-coated adjustable (height/angle) shelf with tag molding and product stop (150 lb max.)
- Powder-coated level heavy-duty shelves with tag molding (250 lb max.)
- Security cover
- White or stainless steel interior
- Liquid line hand valve
- Special exterior finishes
- Custom lengths and options* (consult your Hussmann sales representative)

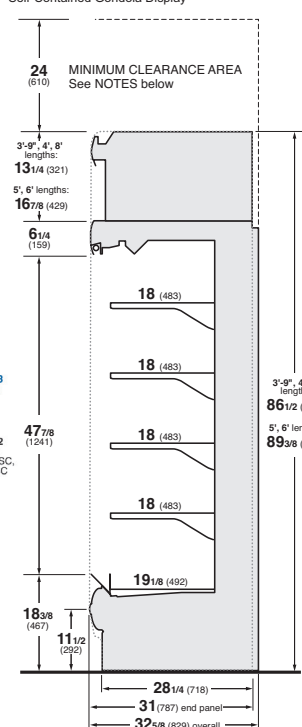
Additional Information.

- Matching companion case lines:
- Curved Self-Service Merchandiser: **RGDC**

RGD24 72 -3SC, -3'9"SC, -4SC, -5SC, -6SC, -8SC
Self-contained Gondola Display

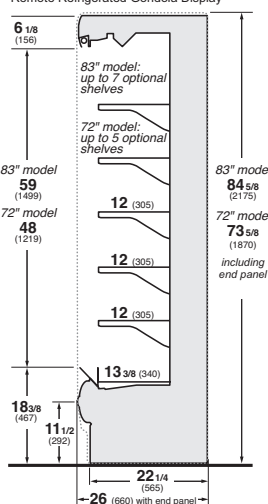


RGD30 72 SC
Self-Contained Gondola Display

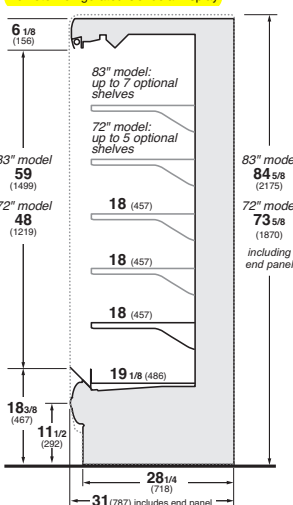


Maintain min. clearances as shown in dotted line area to facilitate air intake and discharge.
Clean air circulation i.e. no air entrapment above unit so as to allow fresh air circulation

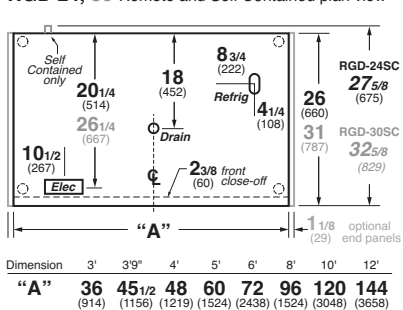
RGD24 deep, 72" or 83" high
Remote Refrigerated Gondola Display



RGD30 deep, 72" or 83" high
Remote Refrigerated Gondola Display



RGD 24, 30 Remote and Self Contained plan view



*NOTE: Some options may be subject to changes in section and plan view dimensions.



Hussmann refrigerated merchandisers configured for sale for use in the United States meet or surpass the requirements of the DOE 2017 energy efficiency standards.

* Some optional features may need to be certified by UL, NSF, and/or other 3rd party certification agencies. Contact Hussmann for verification or questions for availability.

† Only lighting configurations that are compliant with the U.S. Dept. of Energy (DOE) 2017 regulation are available for sale for use in the U.S.A.

NOTE: These merchandisers are designed for use in stores when temperature and humidity do not exceed 75°F and 55% R.H. We reserve the right to change or revise specifications and product design in connection with any feature of our products. Such changes do not entitle the buyer to corresponding changes, improvements, additions, or replacements for equipment previously sold or shipped.

For additional resources, contact your representative or visit www.hussmann.com.



Note. Use Hussmann's technical data sheets to get precise dimensions for all store layout purposes.

Intertek Intertek

Hussmann Specialty
13770 Ramona Avenue
Chino, California 91710-5423
Ph: 800.395.9229

www.hussmann.com

HUSSMANN®



SELF-SERVICE DELI
HUSSMANN - RGD - 24 / 30 - 83 (CHINO)

REVISION DATE 01/26/17

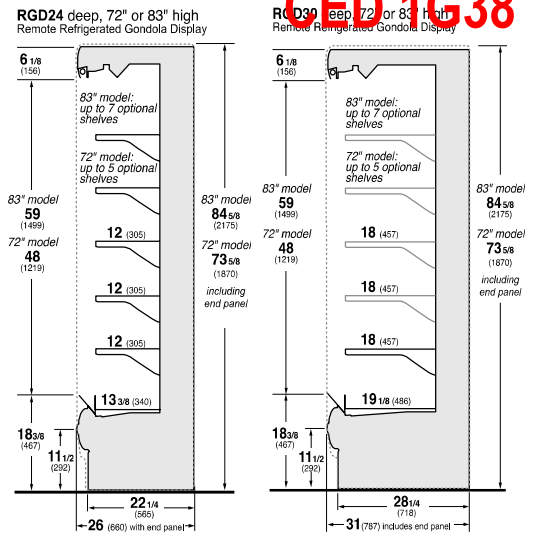
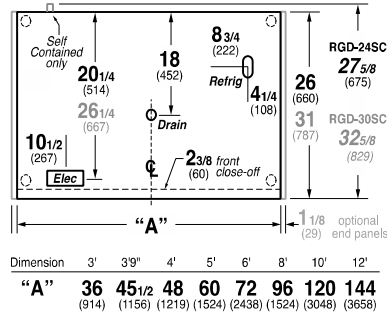
CED 1G38



Hussmann refrigerated merchandisers configured for sale for use in the United States meet or surpass the requirements of the DOE 2017 energy efficiency standards.



RGD 24, 30 Remote and Self Contained plan view



REFRIGERATION DATA:

| CASE LENGTHS | CASE USAGE | CAPACITY *** (BTU/HR/FT) | | TEMPERATURE (°F) | | | VELOCITY (FT/MIN) |
|--------------------------------|------------|--------------------------|-----------|------------------|-----------|-----------------------|-------------------|
| | | RATING CONDITION | | EVAPORATOR | | DISCHARGE AIR ** (°F) | |
| | | NSF 7 | AHRI 1200 | NSF 7 | AHRI 1200 | NSF 7 | |
| 3'9", 4', 5', 6', 8', 10', 12' | SS DELI | 1550 | 1450 | 20 | 26 | 30~32 | 160~250 |

| CASE LENGTHS | EST. REFG. CHR.G. (R404A) (LBS) | 20°F GLYCOL 6° RISE | |
|--------------|---------------------------------|---------------------|-----|
| | | GPM | PSI |
| 3'9" | 0.7 | 2.1 | 2.2 |
| 4' | 1.0 | 2.2 | 2.9 |
| 5' | 1.2 | 2.7 | 4.4 |
| 6' | 1.4 | 3.2 | 2.6 |
| 8' | 2.0 | 4.2 | 4.1 |
| 10' | 2.5 | 5.2 | 5.9 |
| 12' | 2.9 | 6.1 | 5.4 |

**FRONT DISCHARGE AIR MEASURED INSIDE AIR CURTAIN HONEYCOMB

***REFRIGERATION NOTES:

- 1) BTU'S INCLUDE 1 ROW CANOPY LED LIGHTS AND NO SHELF LIGHTS
- 2) ADD 10 BTU'S PER FOOT/PER SHELF ROW FOR OPTIONAL LED SHELF LIGHTS
- 3) ADD 140 BTU/HR/FT TO AHRI TEST FOR 30" DEPTH OPTION
- 4) ALL CASES EQUIPPED WITH NIGHT CURTAINS
- 5) FOR AHRI TEST, NIGHT CURTAINS ARE PULLED DOWN FOR 6 HOURS AND ALL LIGHTS ARE TURNED OFF PER AHRI 1200 TEST PROC
- 6) FOR NSF 7, THE LOAD LISTED IS WITHOUT THE NIGHT CURTAINS PULLED DOWN,
- 7) AHRI 1200 RATING POINT FOR ENERGY CONSUMPTION COMPARISON ONLY
- 8) USE DEW POINT FOR HIGH GLIDE REFRIGERANTS. CARE SHOULD BE TAKEN TO USE THE DEW POINT IN P/T TABLES FOR MEASURING AND ADJUSTING SUPERHEAT. ADJUST EVAPORATOR PRESSURE AS NEEDED TO MAINTAIN THE DISCHARGE AIR TEMPERATURE SHOWN.
- 9) RATING CONDITION IS NSF TYPE I, 75°F/55% RH

REFRIGERATION DATA CONTINUED:

| ELEC. THERMOSTAT / AIR SENSOR SETTINGS | | | DEFROST TYPE | TIME (MIN) | DEFROST FREQUENCY (#/DAY) | TERM. TEMP (°F) COIL ONLY | DRIP TIME | DEFROST WATER (LBS/DAY/FT) |
|--|-------------|--------------|--------------|------------|---------------------------|---------------------------|-----------|----------------------------|
| USAGE | CUT IN (°F) | CUT OUT (°F) | | | | | | |
| SS DELI | 31 | 28 | OFF TIME | 25 | 6 | 52 | N/A | 7.0 |

| END PANEL WIDTH KEY | | |
|---------------------|---------------------|--------------------------|
| # OF END PNLS | END PNL WIDTH (IN.) | TOTAL ADDED LENGTH (IN.) |
| 1 | 1.125 | 1.125 |
| 2 | 1.125 | 2.25 |

ELECTRICAL DATA:

STANDARD FANS, HEATERS, LED LIGHTS (115 VOLT)

| CASE LENGTH | EVAPORATOR FANS | | | | | CANOPY LIGHTS LED | | OPTIONAL LED SHELF LIGHTS | | MAX. LED LOAD (W/ ALL OPTIONS) | | ANTI-SWEAT HEATERS (ON FAN CIRCUIT) | | CONVENIENCE OUTLETS (OPTIONAL) | | |
|-------------|-----------------|------------------|-----------------|------|-------|-------------------|-------|---------------------------|-------|--------------------------------|-------|-------------------------------------|-------|--------------------------------|-------|------|
| | # OF EVAP FANS | BLADE DIA. (IN.) | BLADE PITCH (°) | AMPS | WATTS | AMPS | WATTS | AMPS | WATTS | AMPS | WATTS | AMPS | WATTS | # OUTLETS | VOLTS | AMPS |
| 3'9" | 1 | 8 | 37 | 0.3 | 8 | 0.2 | 19 | 0.5 | 54 | 0.6 | 73 | N/A | N/A | N/A | N/A | N/A |
| 4' | 1 | 8 | 37 | 0.3 | 8 | 0.2 | 27 | 0.6 | 72 | 0.9 | 99 | N/A | N/A | N/A | N/A | N/A |
| 5' | 2 | 8 | 37 | 0.6 | 16 | 0.3 | 34 | 0.8 | 91 | 1.1 | 125 | N/A | N/A | N/A | N/A | N/A |
| 6' | 2 | 8 | 37 | 0.6 | 16 | 0.3 | 39 | 0.9 | 108 | 1.3 | 147 | N/A | N/A | N/A | N/A | N/A |
| 8' | 2 | 8 | 37 | 0.6 | 16 | 0.5 | 54 | 1.3 | 144 | 1.7 | 198 | N/A | N/A | N/A | N/A | N/A |
| 10' | 4 | 8 | 37 | 1.2 | 32 | 0.6 | 68 | 1.6 | 182 | 2.2 | 250 | N/A | N/A | N/A | N/A | N/A |
| 12' | 3 | 8 | 37 | 0.9 | 24 | 0.7 | 81 | 1.9 | 216 | 2.6 | 297 | N/A | N/A | N/A | N/A | N/A |

OPTIONAL HIGH OUTPUT LED LIGHTS (115 VOLT)

| CASE LENGTH | CANOPY LIGHTS H.O. LED | | OPTIONAL SHELF | | MAX. H.O. LED LOAD | |
|-------------|------------------------|-------|----------------|-------|--------------------|-------|
| | AMPS | WATTS | AMPS | WATTS | AMPS | WATTS |
| 3'9" | N/A | N/A | N/A | N/A | N/A | N/A |
| 4' | N/A | N/A | N/A | N/A | N/A | N/A |
| 5' | N/A | N/A | N/A | N/A | N/A | N/A |
| 6' | N/A | N/A | N/A | N/A | N/A | N/A |
| 8' | N/A | N/A | N/A | N/A | N/A | N/A |
| 10' | N/A | N/A | N/A | N/A | N/A | N/A |
| 12' | N/A | N/A | N/A | N/A | N/A | N/A |